

FOILED PROFILES



NEUHOFER

WE. KNOW. WOW!



Foiled Profiles

A skirting board provides the perfect finish between the floor and the wall. The necessary expansion joint is concealed and the profile, ideally in the same décor as the floor, makes the room complete. Foiled profiles are usually installed with laminate floors. The reason is obvious: the same materials react in the same way to light and moisture.

Our profile structures

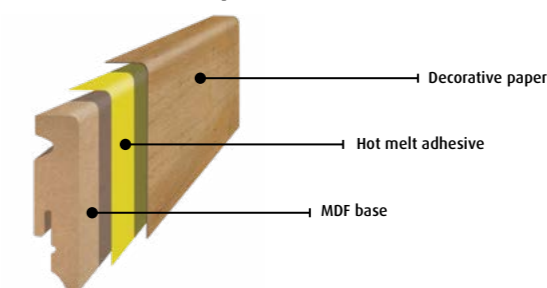
Depending on the application and customer preferences, we use different base materials and surfaces.

Generally, we adapt the materials of the profile to the materials of the floor. For example, MDF profiles with Decorative papers go well with laminate flooring, waterproof plastic profiles with Decorative papers go with LVT flooring, and spruce/pine profiles with real wood veneer go with parquet flooring. The décor of the cover typically matches the floor.

Or you go a different route and choose a profile in white that can be painted over with the colour of the wall. Here, too, we offer numerous material combinations, from MDF to beech, spruce, pine, directly varnished, foil-coated in white and ready-to-paint or varnished with different degrees of gloss.

We offer the perfect skirting board for every trend and style and for all applications.

MDF with foil: FU profiles



Ways of packaging



Bundle wrapped 3x.

This is the minimum standard for packaging, as it is the only way to ensure sufficient stability. The profiles are laid face-to-face, so the surface is optimally protected. The profiles are bundled in groups of 10 and tightly wrapped with stretch film at both ends and in the middle.



Wrapped open.

This is a continuous wrap with stretch film around the bundle of profiles (again bundled into 10 units) with spaced loops



Fully wrapped.

The bundle (10 profiles) is completely wrapped in stretch film, only the front sides remain open.



Combo pack with fastening system.

Here, the individual profile, including the fastening system and the fastening material, is shrink-wrapped in foil and again provided with a four-colour label.



Combi-pack without fastening system.

Each profile is shrink-wrapped in foil and provided with a four-colour label with pictures and assembly instructions (without the fastening system).



Standard pallet.



Shrink wrapping.

Here the profiles (10 unit bundles) are wrapped at both ends and in the middle and then completely shrink-wrapped in film including the two front sides. This packaging method offers the highest moisture protection.



Tube packing.

With this type of packaging, the profiles are placed individually in a cardboard tube and closed end-to-end with a lid. This protects the contents from damage. An ideal option, e.g. for sending individual profiles.



Carton packaging.

10 profiles are loosely packed in a carton. This packaging guarantees protection from light.



Guide to symbols

To make it easier for you to navigate through the catalogue, we have marked all products with coloured dots. These dots provide you with information on the availability and delivery time of the items in question.

We are pleased to make it easier for you to find the right item – another important step towards providing perfect service.

Green dot >>>> quickly available:

Stock items - exact details of the items in stock (decors), as well as delivery quantities and delivery times you will receive from our sales staff at the sales department.

Blue dot >>>> order-related quickly:

Articles whose BOM components are all in stock and “only” have to be assembled into a finished product get a blue dot.

Yellow dot >>>> order-related:

Articles with this marking are FN standard items, which are made to order and are bound to a defined minimum quantity and delivery times. Raw materials still have to be purchased.

Red dot: >>>> on request:

These are special items that can be manufactured on request. Raw materials, production times still have to be requested.



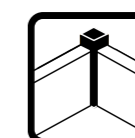
Clipholder CH23



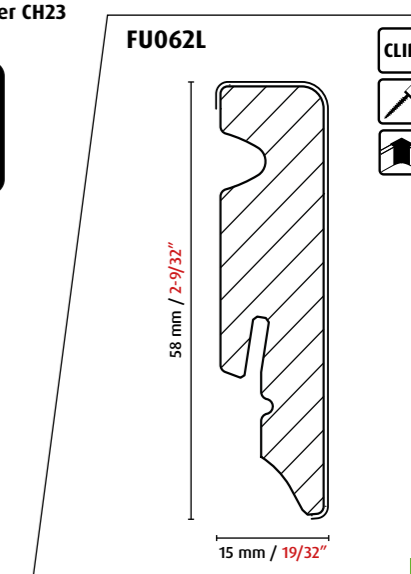
nailofix CH28



Plastic corners



Corner sticks



Example

Processing instructions

Masking tape on skirting boards.

Veneered and foiled skirting boards may only be covered with commercially available masking tape (see the following image as an example).

The masking tape must be removed after 16 hours at the latest!

All other types of adhesive tapes, such as packaging tapes, transparent adhesive tapes, brown adhesive tapes, fabric tapes (grey and others) are NOT suitable for foiled and veneered skirting boards.

Adhesives and skirting boards.

No silicone-containing adhesives may be used to attach foiled or veneered skirting boards to the wall, as the foil or veneer can detach if the compounds penetrate the wood or MDF. A corresponding note can be found on the back of veneered profiles (see picture).

Installation of skirting boards.

In general, we recommend our clip system CH23 or the rail klik-fix 23 for installation. The profiles and matching accessories are designed for this.

Of course, the profiles can also be glued in place (note: see note on adhesives), nailed or screwed.

Mitre joint.

When mitre cutting, it is advisable to insert a clip into the profile before cutting to simulate the correct distance to the wall. With some profiles, this is the only way to achieve an optimal result on the mitre.

The FN easy-cut mitre box offers a practical aid here, as it has the matching height and an attachment device for the profile.

When cutting the skirting, make sure that you always see the décor side, or that you are cutting into the décor, so to speak. Otherwise there may be tears on the décor side.

Wood and water.

Since most profiles are made of wood or wood-based materials, store the profiles in the intended installation room for at least 48 hours. This allows the wood to adapt to the environmental conditions (humidity, temperature) and avoids problems with swelling or shrinking after installation.

Profiles with an MDF core may only be cleaned dry, as the profile can swell if moisture penetrates.

When using profiles in areas where increased moisture can occur (including damp mopping of the floor), it is advisable to use profiles with a plastic or spruce core.



Perfect décor match

The result is truly astounding. With the same print, different surface coatings can be used to produce décor paper for a variety of applications, e.g. skirting boards, floor profiles, corner sticks, door frame boards. All in the same design as the floor.

Door frame

Corner stick

Floor profile

Skirting board profiles

Modern Digital printing

High-quality digital décor printing has already become the standard in many industries. At FN Neuhöfer, however, we go above and beyond the standard.

This is why we have created a solution unique in the moulding and coated profile industry, which gives us and our customers extensive flexibility along with the highest quality.

The system is integrated directly into production to ensure the highest level of process efficiency.

Advantages:

- High print resolution, HD printing possible.
- We can print all décors, from wood to stone to fantasy décors.
- A large number of print heads ensure very high print quality.
- Can print a variety of different materials: paper, PP film, PE film, PVC film, PET film, BOPP film, aluminium film.
- Many options for the final coat: matte or high gloss.
- Fast sampling of foils compared to gravure printing.

Faster sampling

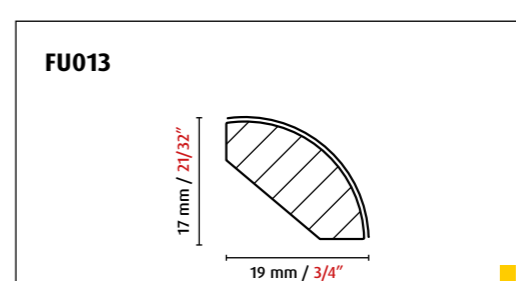
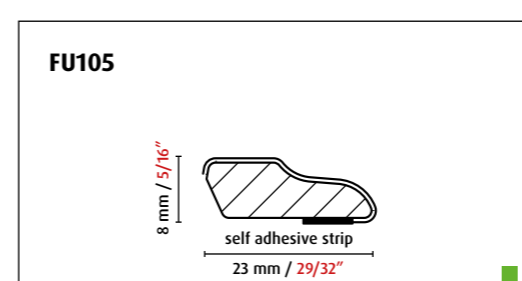
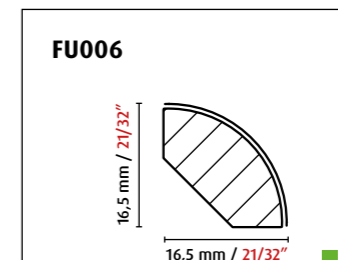
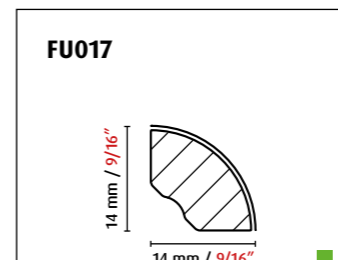
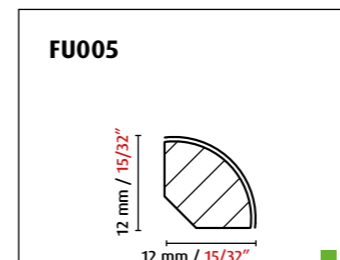
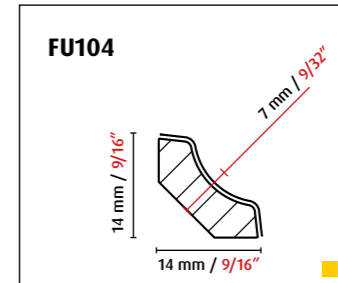
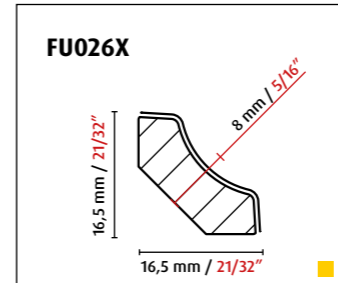
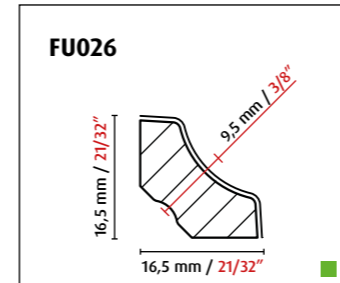
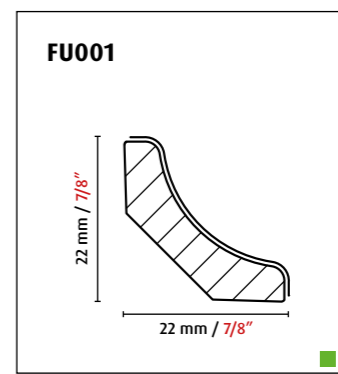
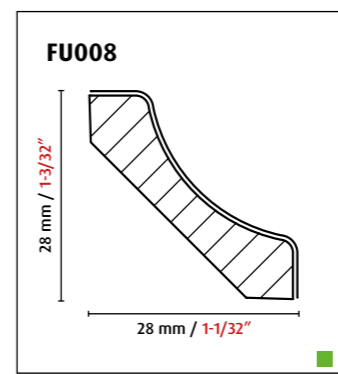
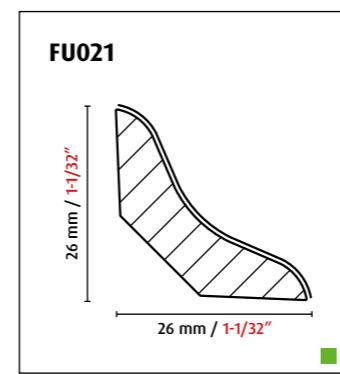
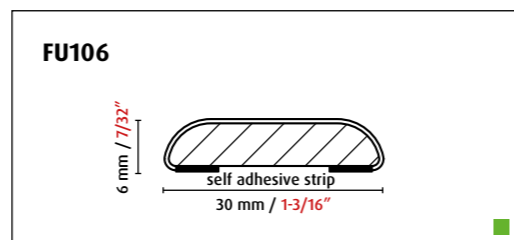
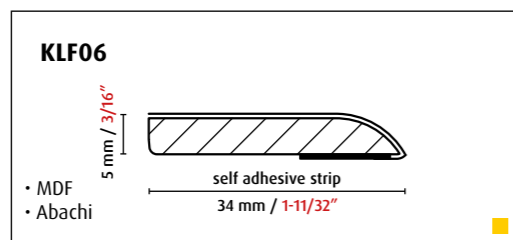
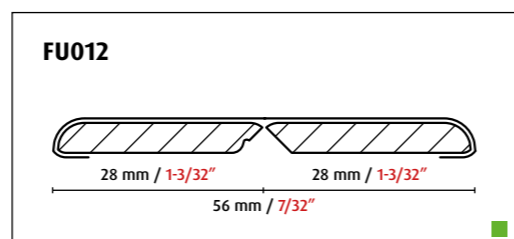
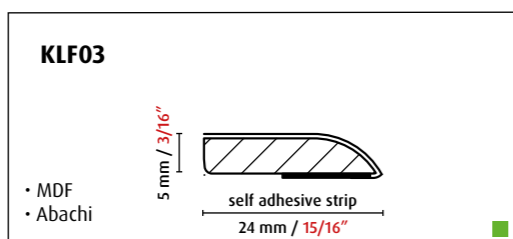
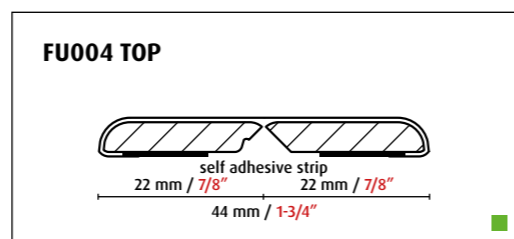
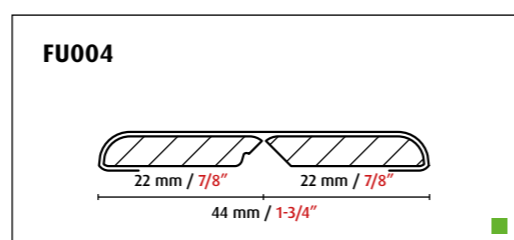
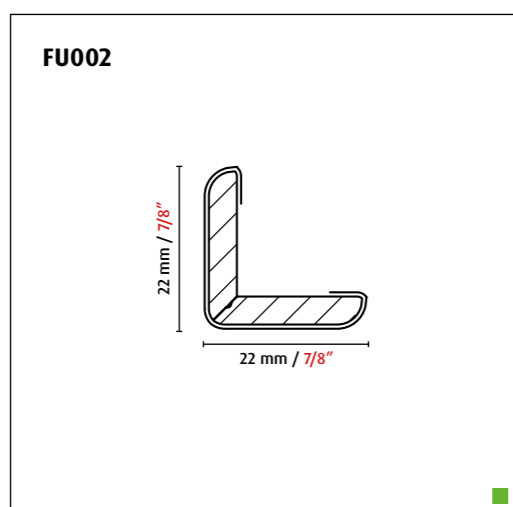
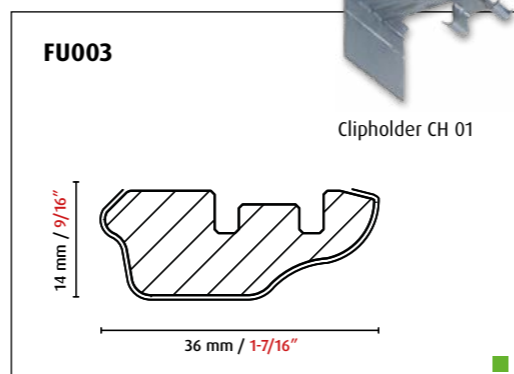
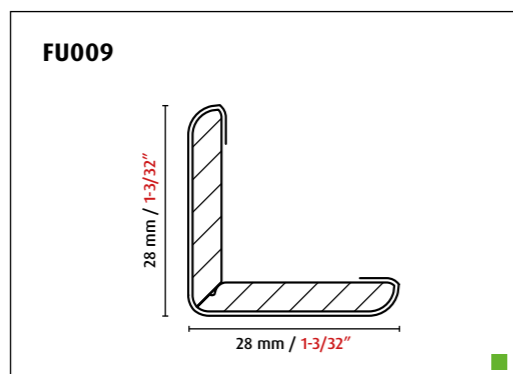
Our sample process is highly advanced. We scan the décor of the floor provided by the customer. We then process the scan on a PC with a calibrated monitor so that the original and the file match perfectly. Next we make a test print and compare it to the original in various lighting situations. If everything is perfect, we go to the customer for approval. If not, we repeat the process.

Advantages:

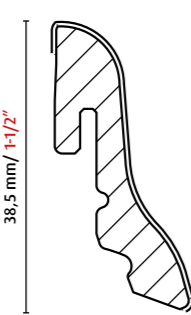
- High-resolution, state-of-the-art scanner.
- Décor sampling with photos submission.
- Simple and flexible process.

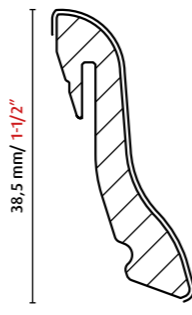


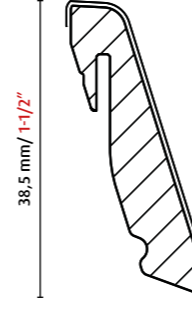
Profile product range

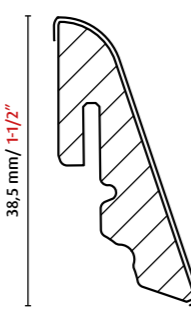


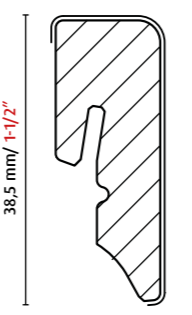


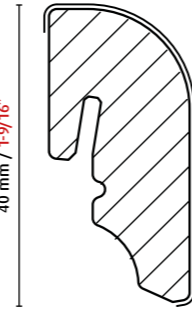
FU018L CLIP

 38,5 mm / 1-1/2"
 18,5 mm / 23/32"

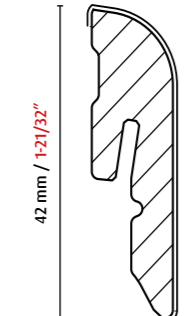
FU018H CLIP
 Clipholder CH20

 38,5 mm / 1-1/2"
 18,5 mm / 23/32"

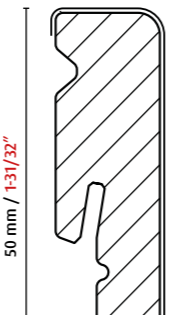
FU147H CLIP
 Clipholder CH20

 38,5 mm / 1-1/2"
 18,5 mm / 23/32"

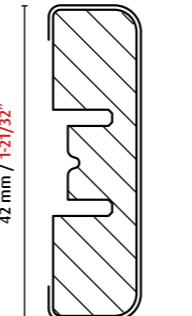
FU019L CLIP

 38,5 mm / 1-1/2"
 18,5 mm / 23/32"

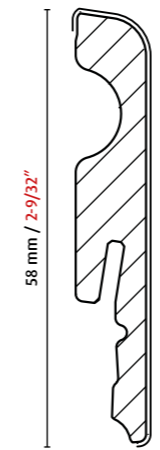
FU048L CLIP

 38,5 mm / 1-1/2"
 15 mm / 19/32"

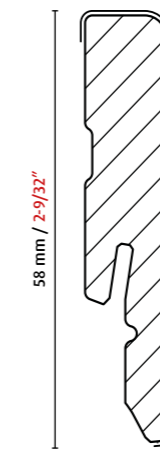
FU049L CLIP

 40 mm / 1-9/16"
 20 mm / 25/32"

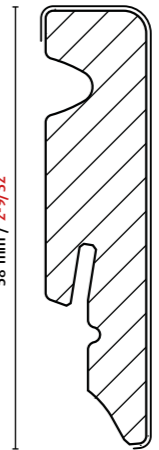
FU052L CLIP

 42 mm / 1-21/32"
 12 mm / 15/32"

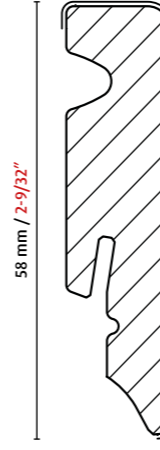
FU051L CLIP

 50 mm / 1-31/32"
 15 mm / 19/32"

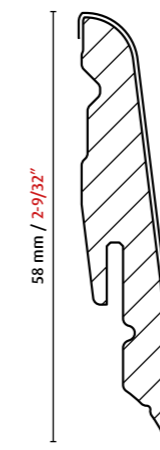
FU046 CLIP
 FN klik-fix MS

 42 mm / 1-21/32"
 12 mm / 15/32"

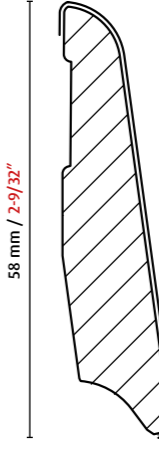
FU007L CLIP

 58 mm / 2-9/32"
 10 mm / 13/32"

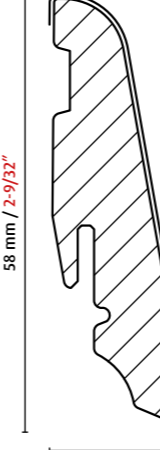
FU054L CLIP

 58 mm / 2-9/32"
 12 mm / 15/32"

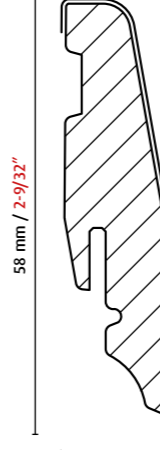
FU148L CLIP

 58 mm / 2-9/32"
 13,5 mm / 17/32"

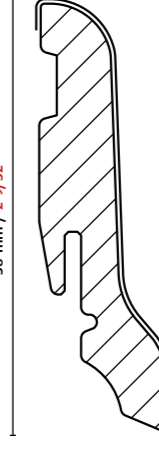
FU062L CLIP

 58 mm / 2-9/32"
 15 mm / 19/32"

FU014L CLIP

 58 mm / 2-9/32"
 14 mm / 17/32"

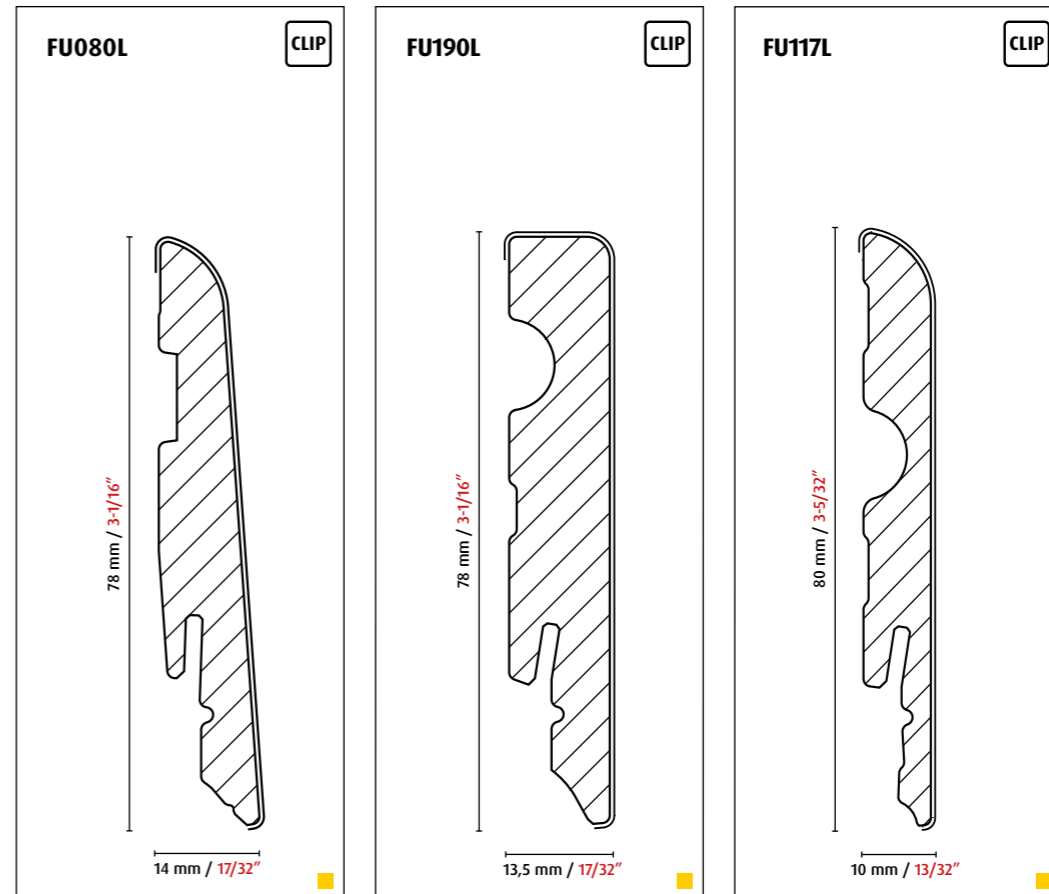
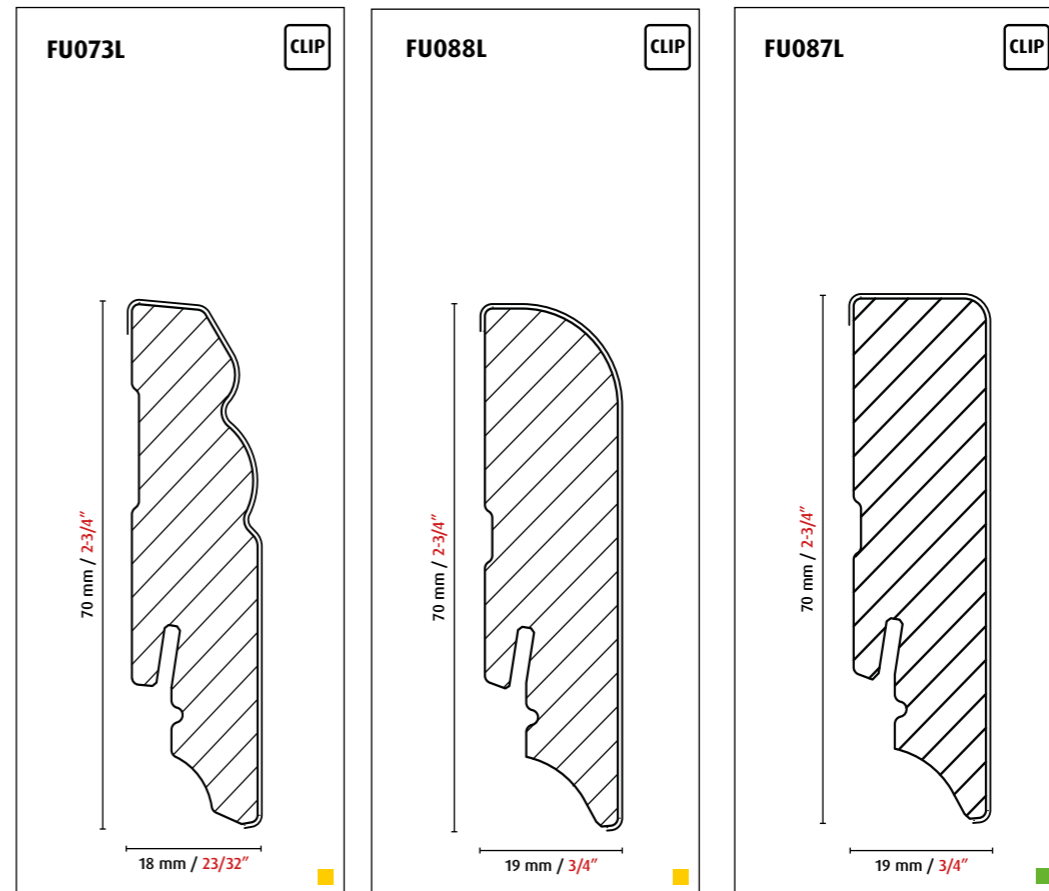
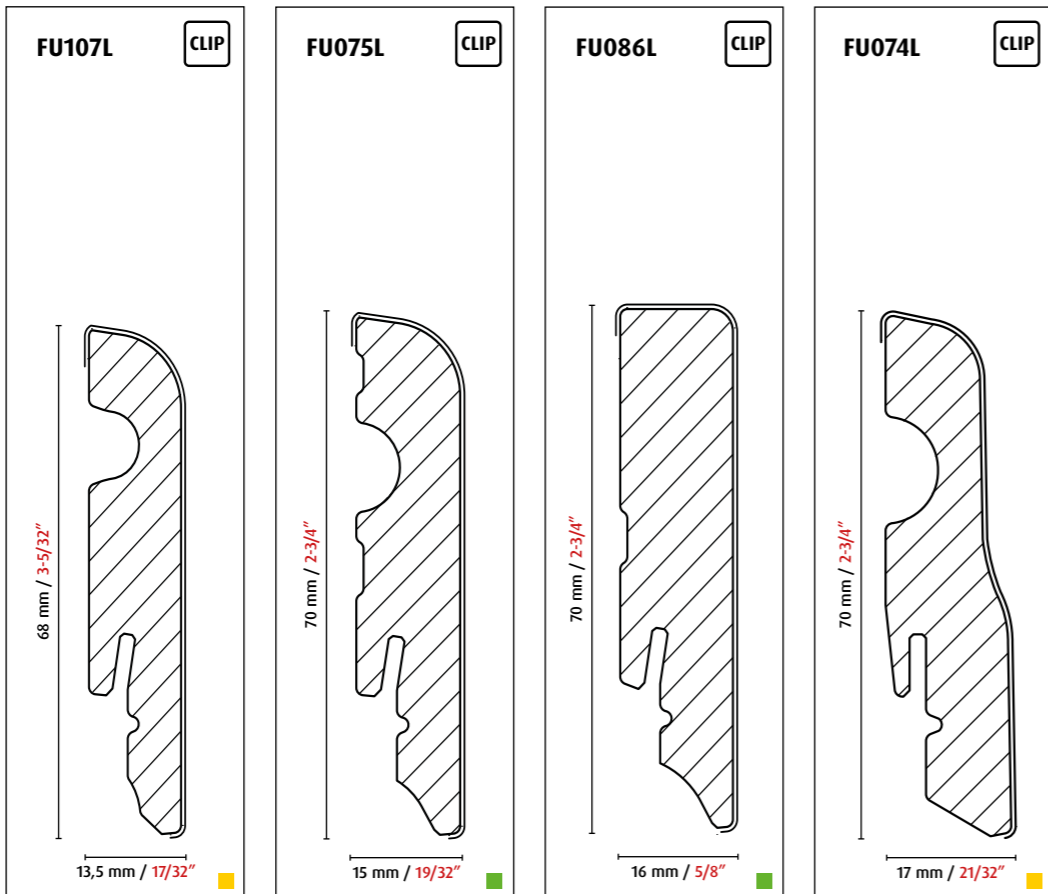
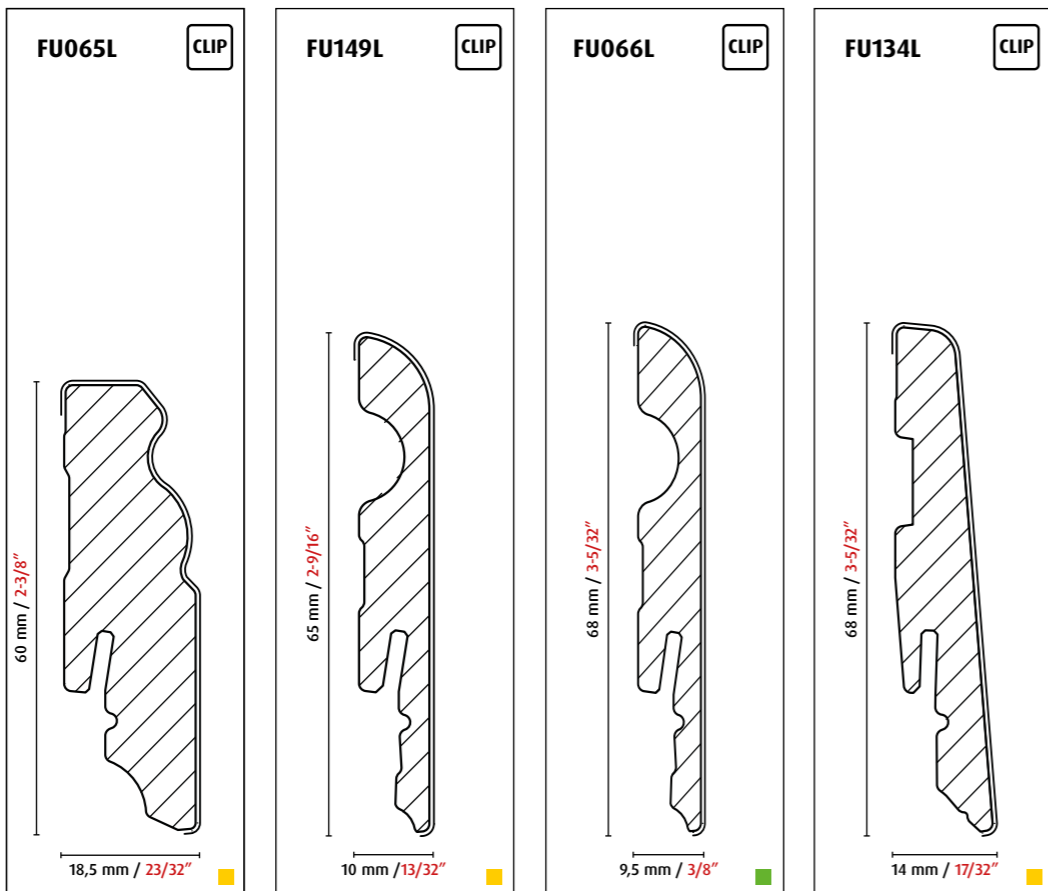
FU014 OC CLIP

 58 mm / 2-9/32"
 15 mm / 19/32"

FU060L CLIP

 58 mm / 2-9/32"
 19 mm / 3/4"

FU061L CLIP

 58 mm / 2-9/32"
 19 mm / 3/4"

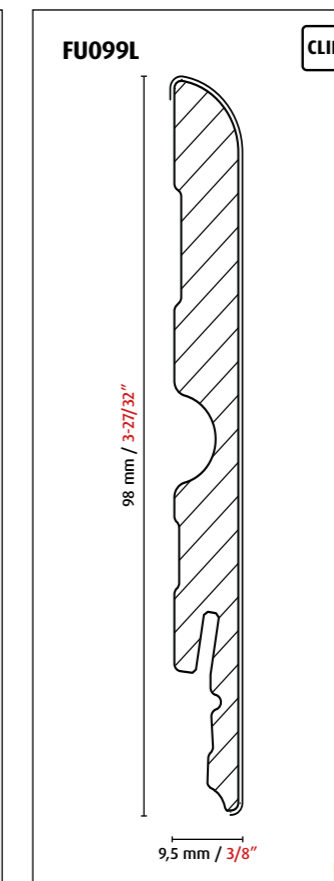
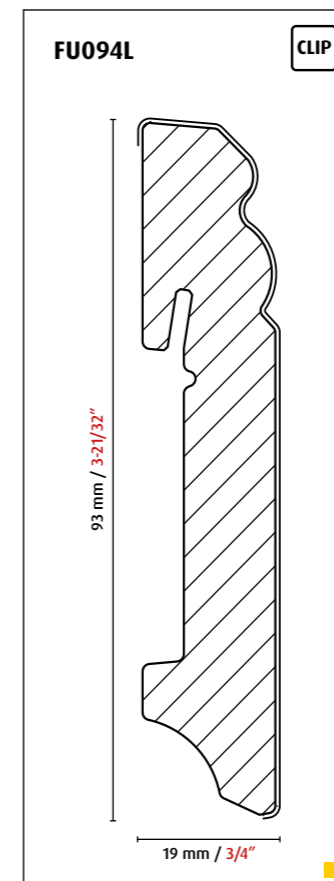
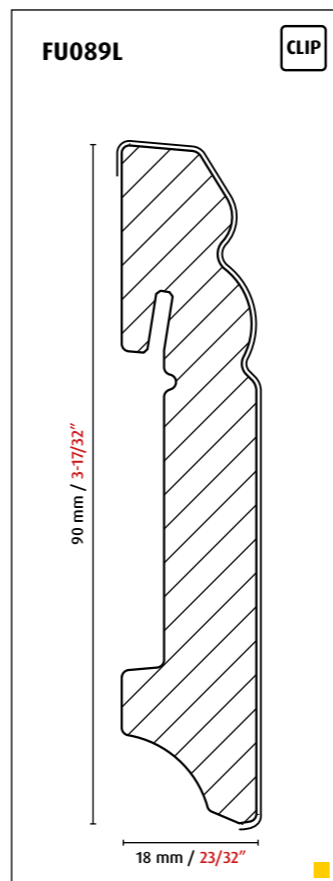
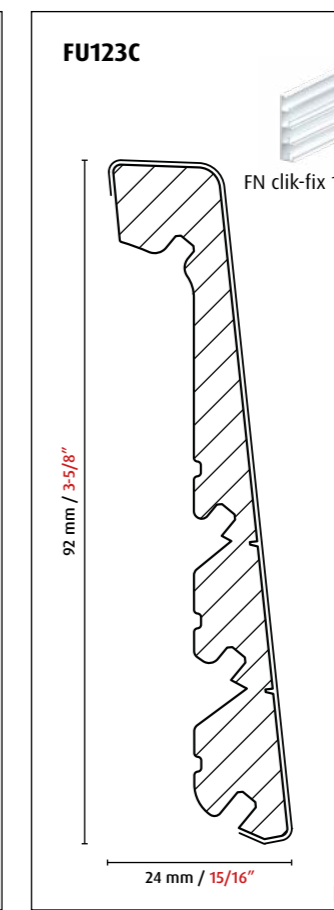
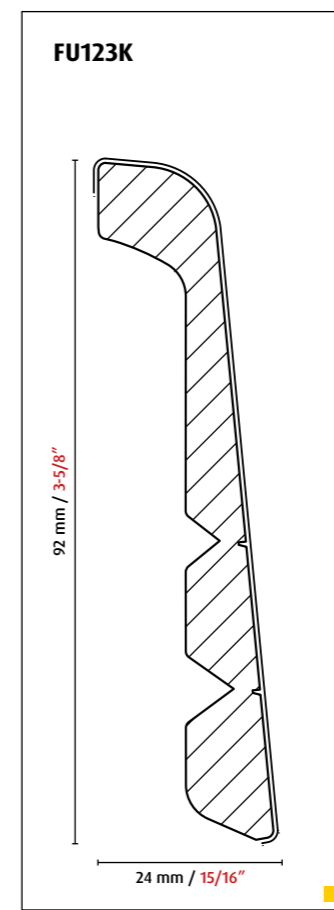
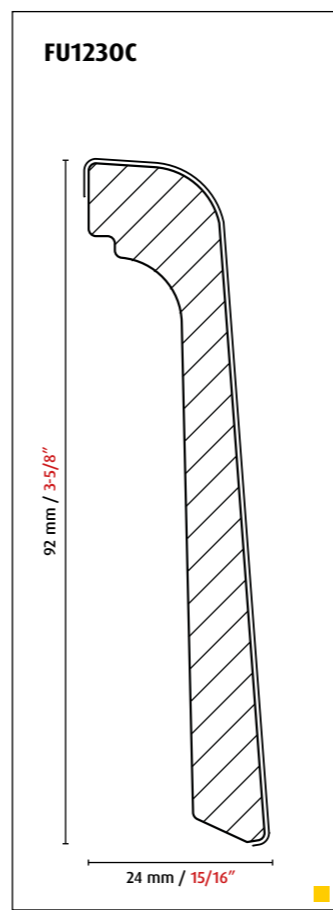
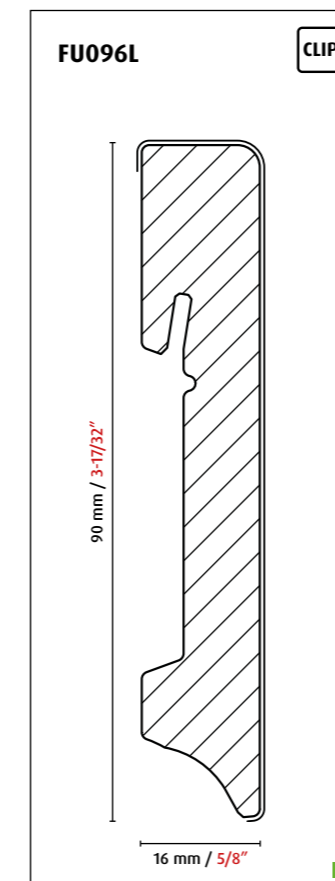
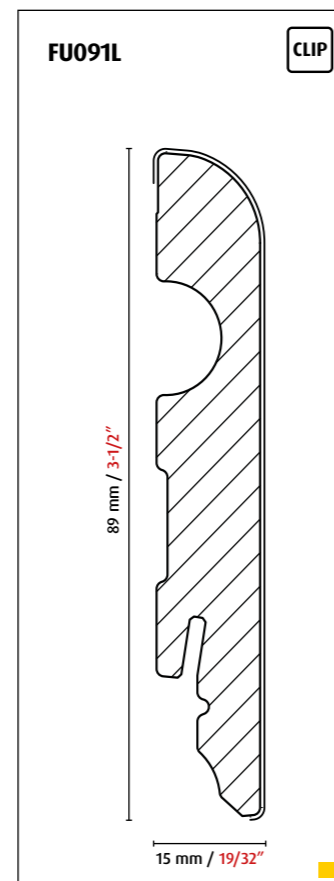
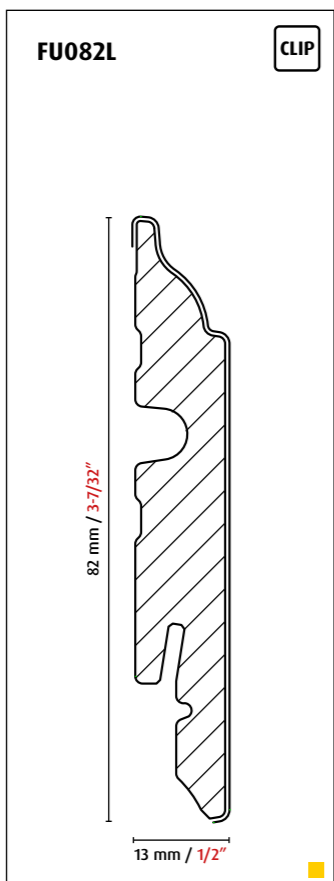
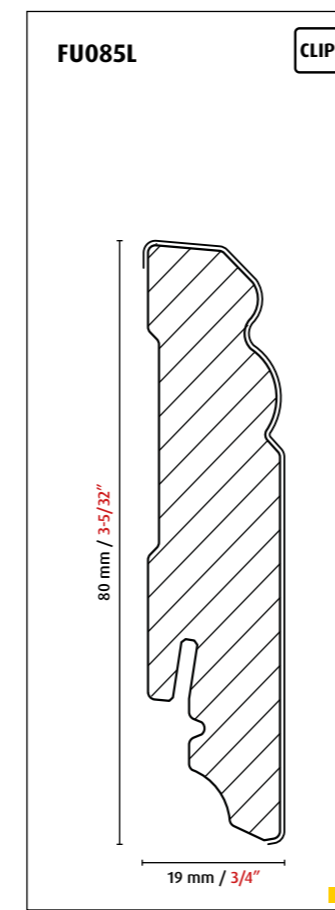
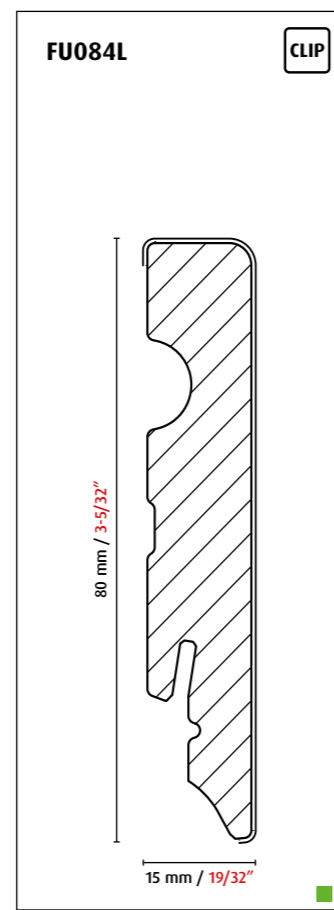
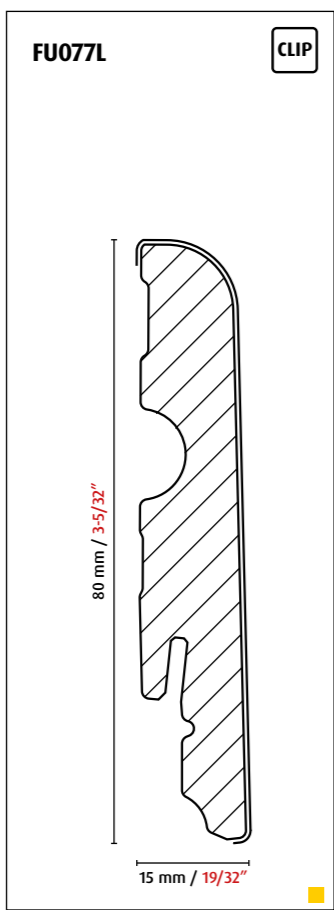
FU015L CLIP

 58 mm / 2-9/32"
 19 mm / 3/4"







FU077L
FU084L
FU085L
FU082L
FU091L
FU096L



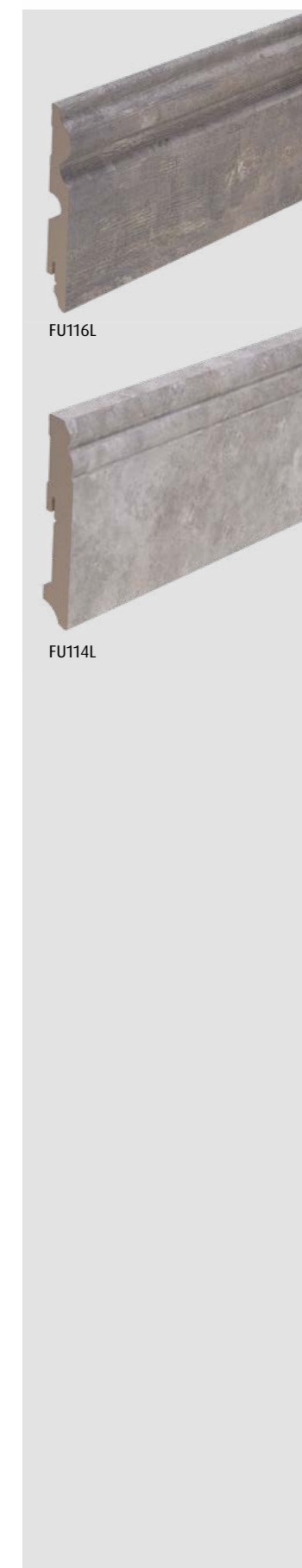
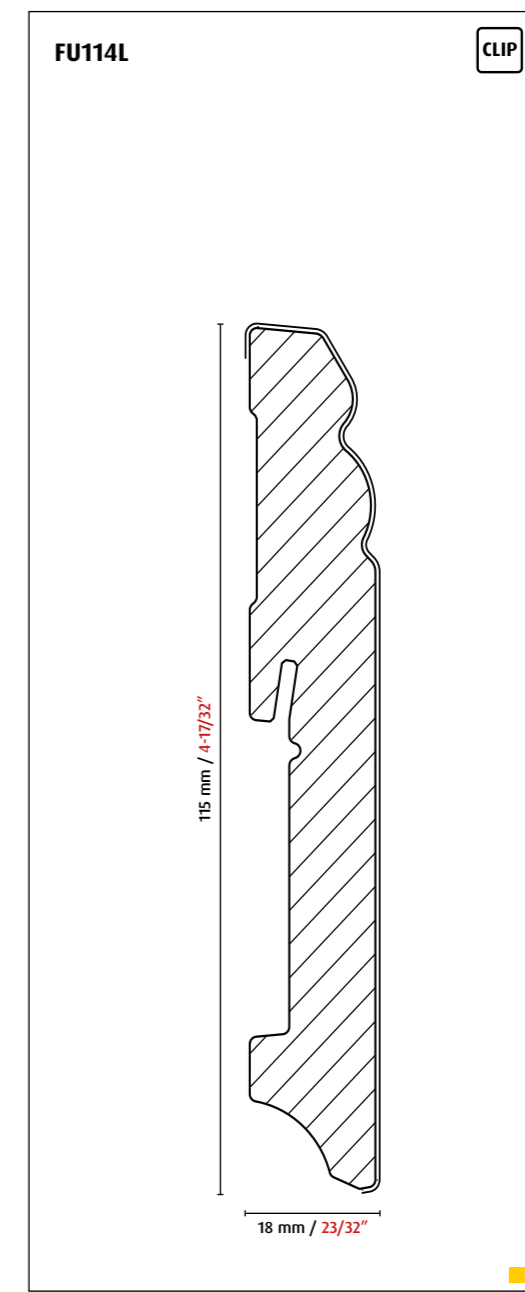
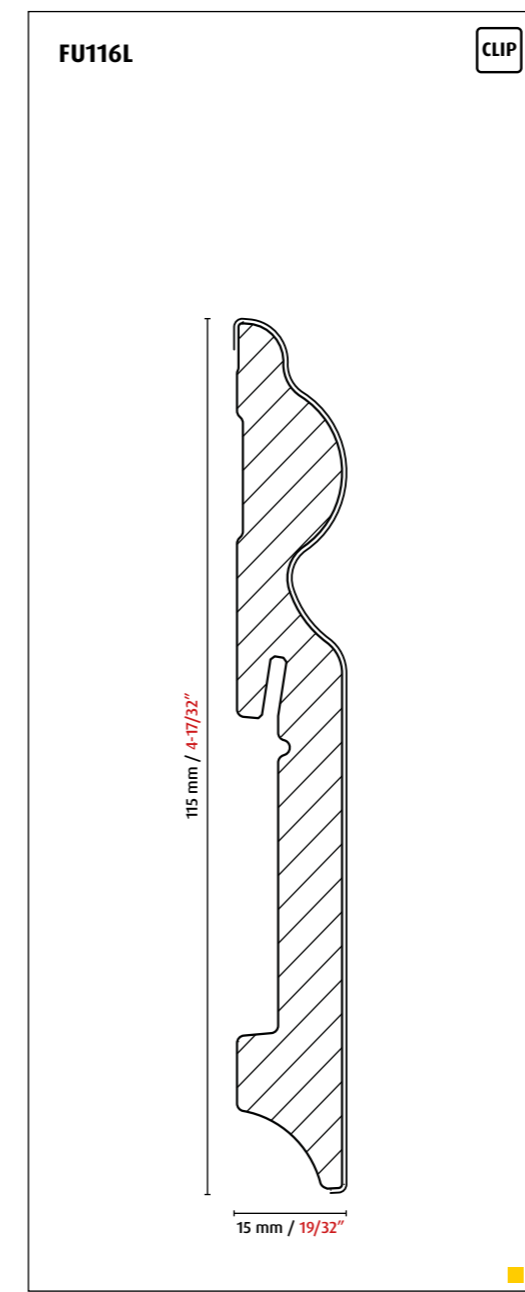
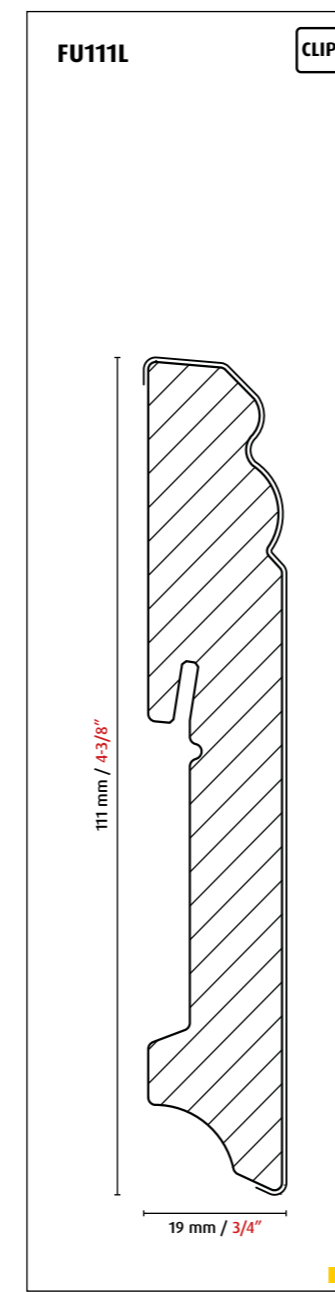
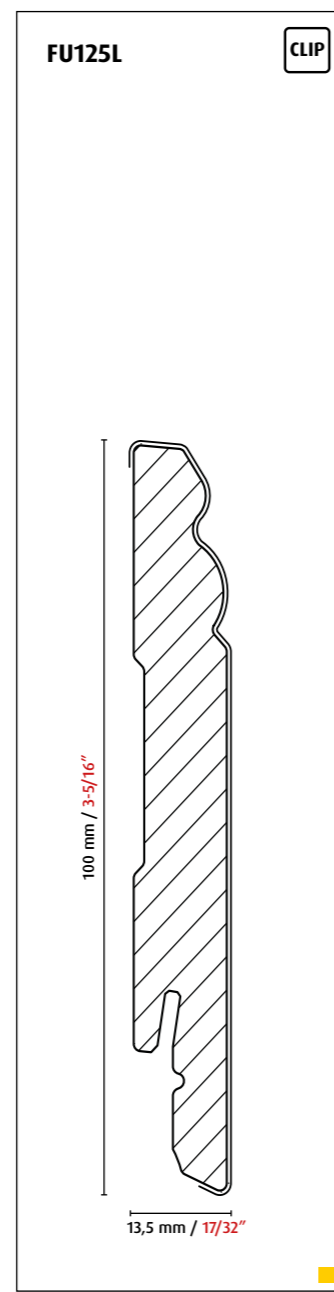
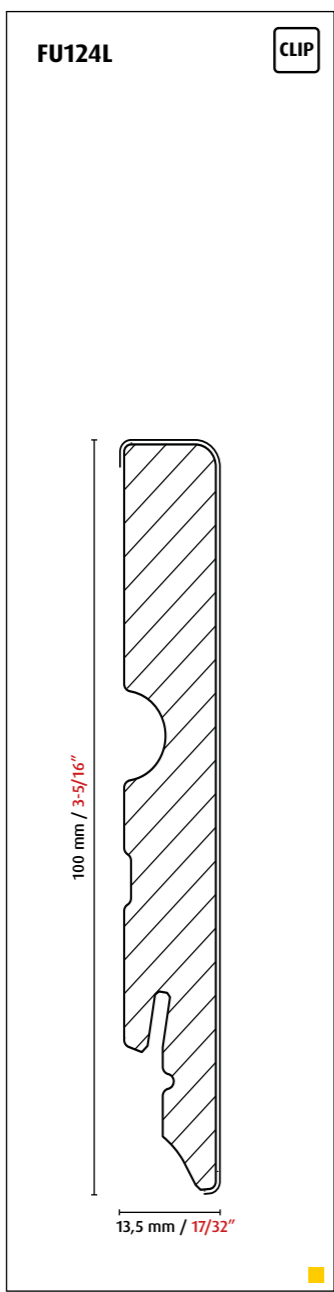
FU1230C
FU123K
FU123C
FU089L
FU094L
FU099L



FU124L

FU125L

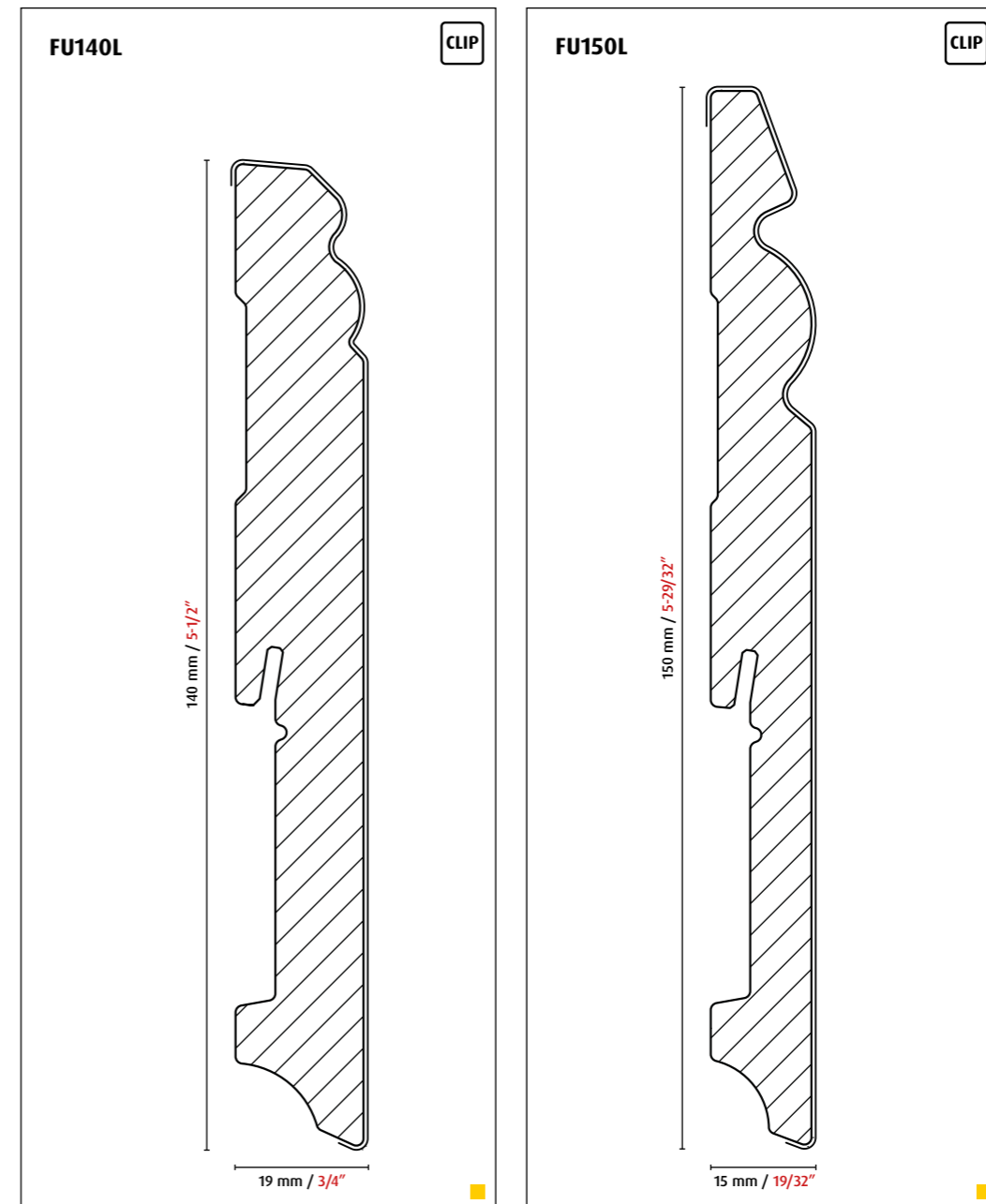
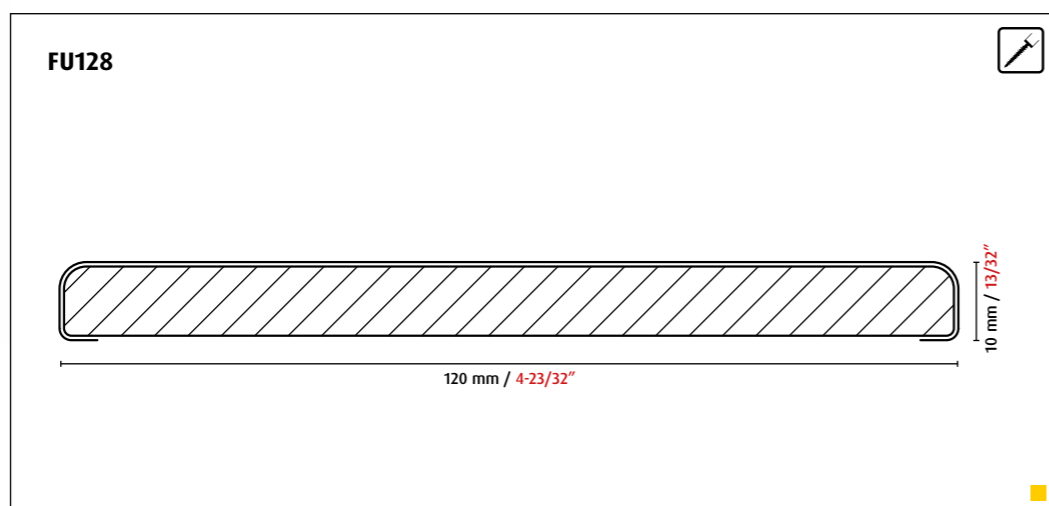
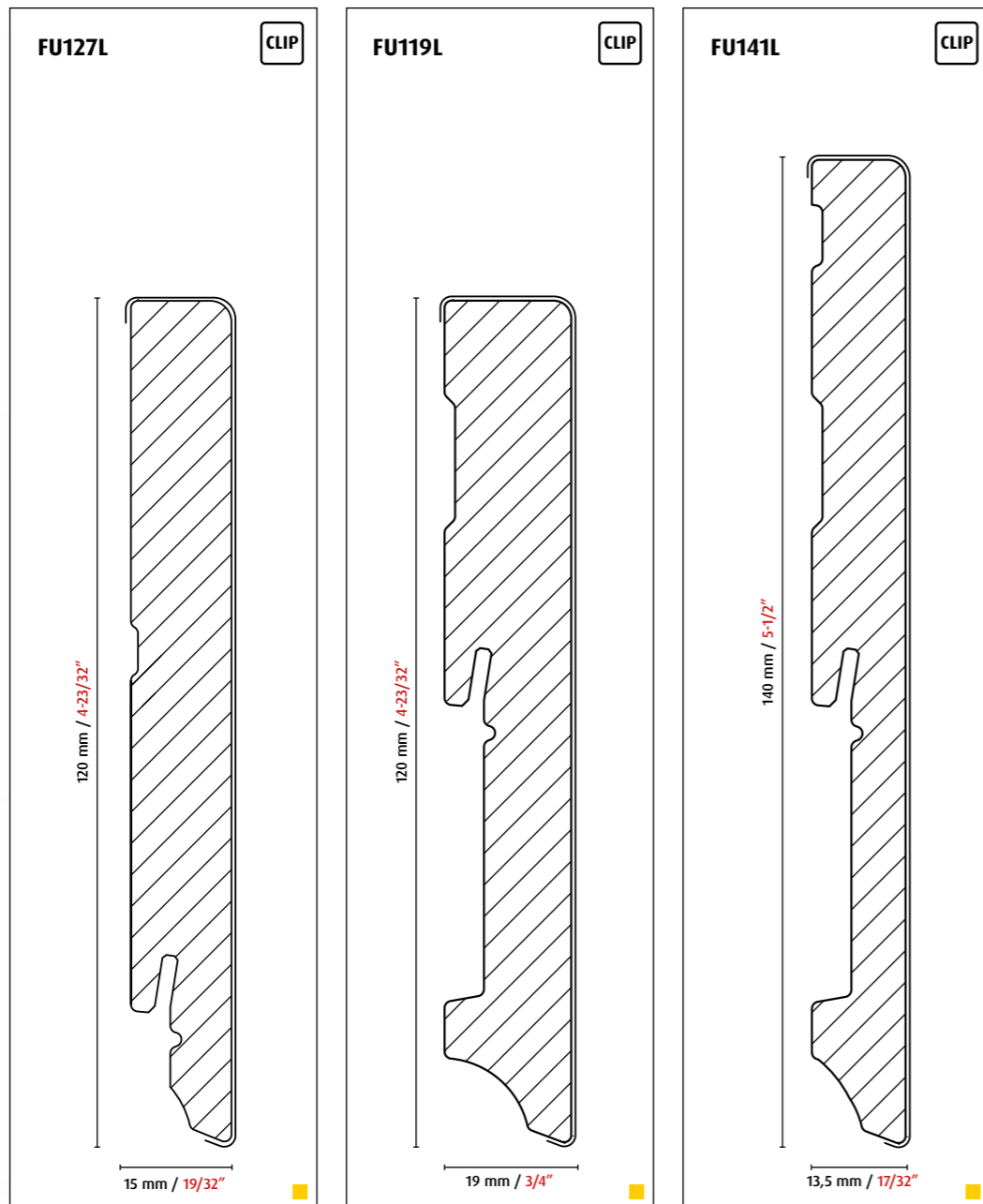
FU111L



FU116L

FU114L





Discover our wider range

FN FOILED PROFILES

Foiled mouldings are usually laid to laminate flooring. The reason is obvious: the same materials react in the same way to light and moisture. A wide range of shapes and decors leave almost nothing to be desired, especially when it comes to matching the decor of the skirting to the floor. In-house digital printing makes it possible!



FN VENEERED PROFILES

A skirting board provides the perfect finish between the floor and the wall. The necessary expansion joint is stylishly and elegantly concealed and the profile, ideally in the same décor as the floor, completes the room. Veneered profiles are usually laid with parquet floors. The reason is obvious: the same materials react in the same way to light and moisture.



FN WHITE PROFILES

White skirting boards are modern, elegant, stylish and very much in fashion. We offer an extensive variety of different materials and surfaces as well as shades of white. The following pages provide an overview of this product range. Find the perfect version for your market.



FN FUNCTIONAL AND WATERPROOF PROFILES

If the standard no longer fits or special challenges need to be overcome, FN Neuhofer offers a selection of special solutions for a wide range of applications. And for LVT or waterproof floors, there are matching waterproof skirting boards, decorated to match the floor or simply in white.



FN SOLID WOOD PROFILES

Wood in its most natural form, cut and planed, raw or varnished, sustainable and destined to last forever: these are our solid wood profiles, made from hardwood or softwood. Real, natural and grounded. Whether you need a resilient skirting board, wood for crafts for everyone and everywhere in the house, or old wood for a one-of-a-kind ambience.



FN FLOOR ACCESSORIES

Clips, corners and numerous other accessories are indispensable for quick and easy moulding installation. The mouldings are all provided with functional grooves into which various clips, fixing rails or holders for corner pieces can be inserted. The aim is always the same: to make installation as easy and uncomplicated as possible for the customer.



FN FLOORING PROFILES

When installing flooring, each room is usually laid as a separate area. During this process, an expansion joint should be planned under every door. And if the floor areas become too large, they should also be separated by expansion joints. If there are different coverings in the individual rooms, such as tiles, laminate flooring, parquet flooring or LVT flooring with different floor heights, it is essential to cover the joints that are created as a result.



FN LIVING

Modern wall design with additional benefits is important in today's fast-paced and noisy world. Acoustic panels create peace and quiet in your own home, while various wall panelling systems enhance the room and create a cosy ambience. And the DIY concept is not neglected either. You can fill, glue, paint and realise your own creativity.





All dimensions and performance of the products stated in the product catalogue are to be regarded as approximate. The stated dimensions and performance of the products are non-binding; this applies in particular to their quality, colour and design (grain, surface, etc.). Furthermore, we expressly reserve the right to make any deviations from the products shown in the product catalogue; the offer and order confirmation are exclusively authoritative, based on the General Terms and Conditions (see <https://www.fnprofile.com/de/verkaufs-und-lieferbedingungen-01-01-2022.html>). The customer can therefore derive no rights - of any kind whatsoever - from pictorial representations and/or specified dimensions and services in accordance with this product catalogue.

Printing and typesetting errors and mistakes excepted. 01/25

NEUHOFER HOLZ GMBH
A-4893 Zell am Moos, Haslau 56, Tel.: +43 (0)6234/8500-0,
office@fnprofile.com, www.fnprofile.com



Here you can find our social media channels



The mark of responsible forestry