



FUNCTION PROFILES



NEUHOFER

WE. KNOW. WOW!



Profiles with function

If the standard sizes do not fit or you're dealing with unique challenges, FN Neuhofer has the solution. The following profiles are suitable for special applications and offer one-of-a-kind visual effects.

Waterproof floors need waterproof skirting boards. FN Neuhofer offers a large selection of waterproof profiles that use plastic as the base material. The profiles are available in the same designs as the LVT or SPC floor, or dyed and printed in a matching wood or stone look. Or simply in plain white. Many applications, many possibilities - we have something for everyone.

FN cut-pro

Skirting boards with customizable heights.

"How short?" - we all know that question from the barber shop. With these skirting boards, you get to decide depending on the application and your needs.

This profile is ideal for renovations. Strips of old carpet that are stuck to the wall and are a nuisance, because a beautiful new laminate or LVT floor has been installed. Or tiles that you no longer like and want to cover up.

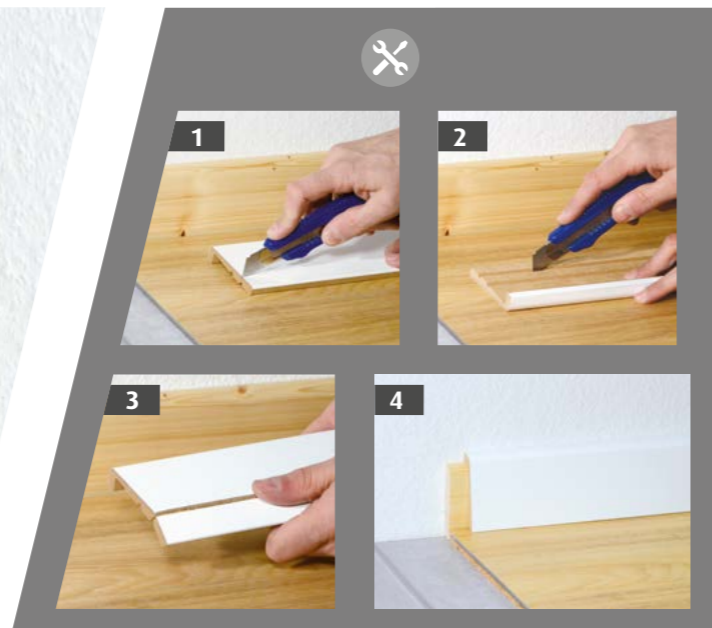
With this skirting board, simply make a cut along the pre-milled groove, score the V-groove on the back, and snap off the part you don't need. This makes it possible to cut 3 different heights from one skirting board, depending on the intended purpose

Product advantages:

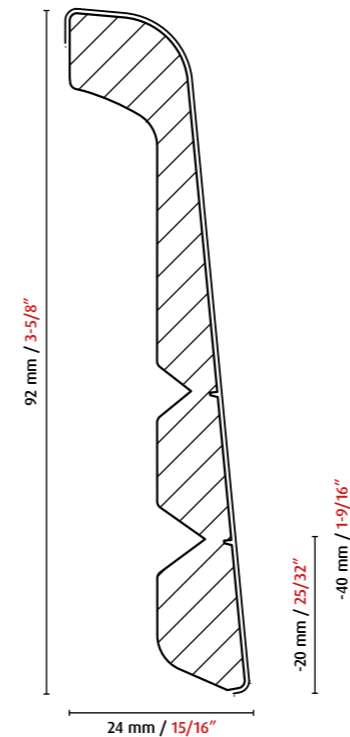
- Ideal for renovations - no need to remove the old trim (ideal for tile trim that can't be taken off).
- The skirting board can be adapted to the old trim by shortening the segments.
- Adjustable to 3 different heights.
- Can cover thicker skirting boards by installing at an angle.
- Simple to install with nails, screws or glue.



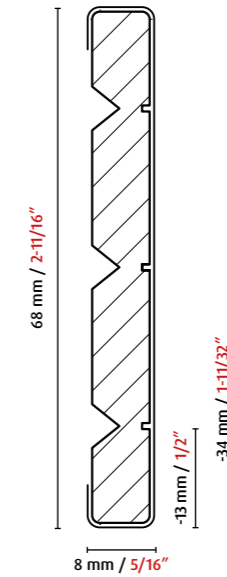
See installation video



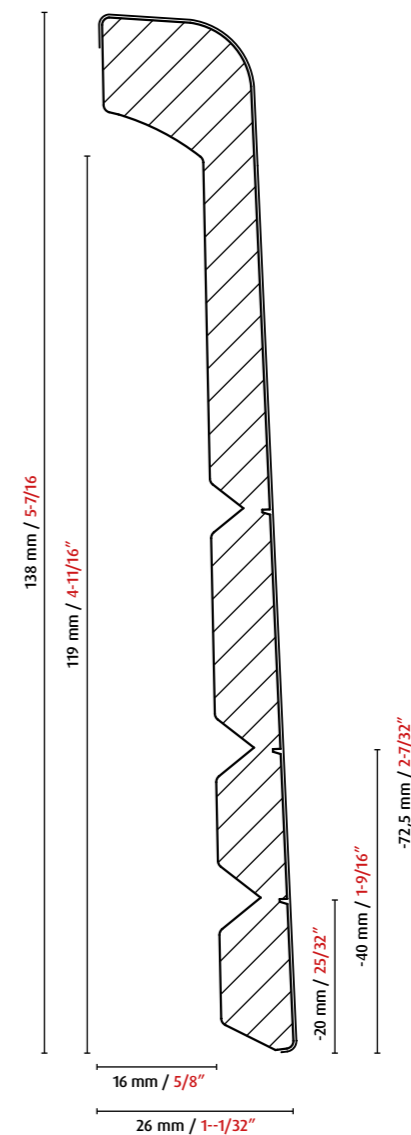
FU123K



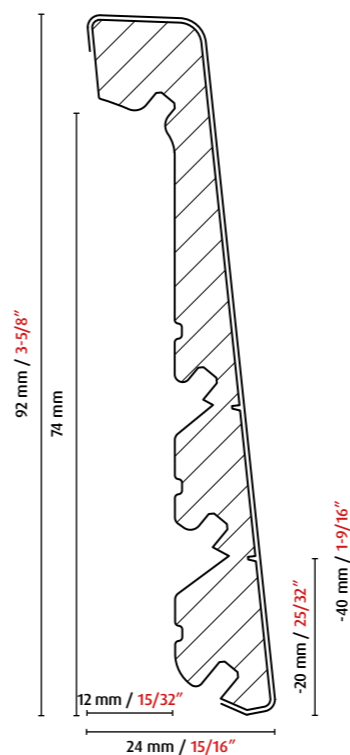
FU068



FU138K



FU123C



FN klik-fix 17

FU ... MDF laminated | KU ... Plastic laminated

FU123K

FU068

FU123C

FU138K

FN klik-fix 17

Available: in stock Available: fast Available: normal Available: on request

WE. KNOW. WOW!



FN cut-pro Waterproof

Since tile bases that are to be covered are mainly found in wet rooms, we also offer a waterproof version of the renovation skirting board. The base is made of waterproof PVC, the surface is made of white, impregnated decorative film.

The functionality is the same as the MDF version. You can shorten the skirting board as required and adapt the height.

Product advantages:

- Waterproof (PVC as base material).
- Ideal for renovations.
- Can be cut to custom length.
- Can also be used with the cable rail FN klik-fix 17.



FN klik-fix 17 Installation rail

Fastening rail for cable management.

Some people choose this installation rail to have the option for future wiring. Others have a lot of cables to run right from the start.

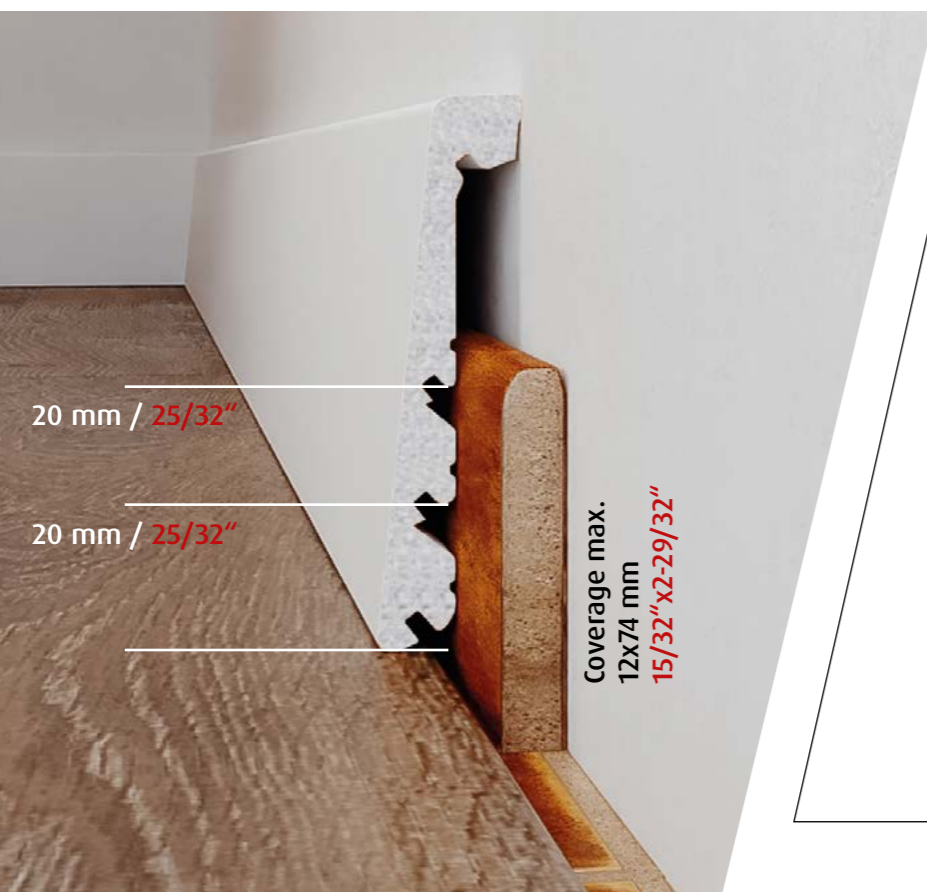
The length of the rail can be adjusted to the skirting board. It has space for at least 4 different cables with a diameter of up to 9 mm.

The skirting board simply clips onto the wall using previously attached clip system. The selected height does not matter.

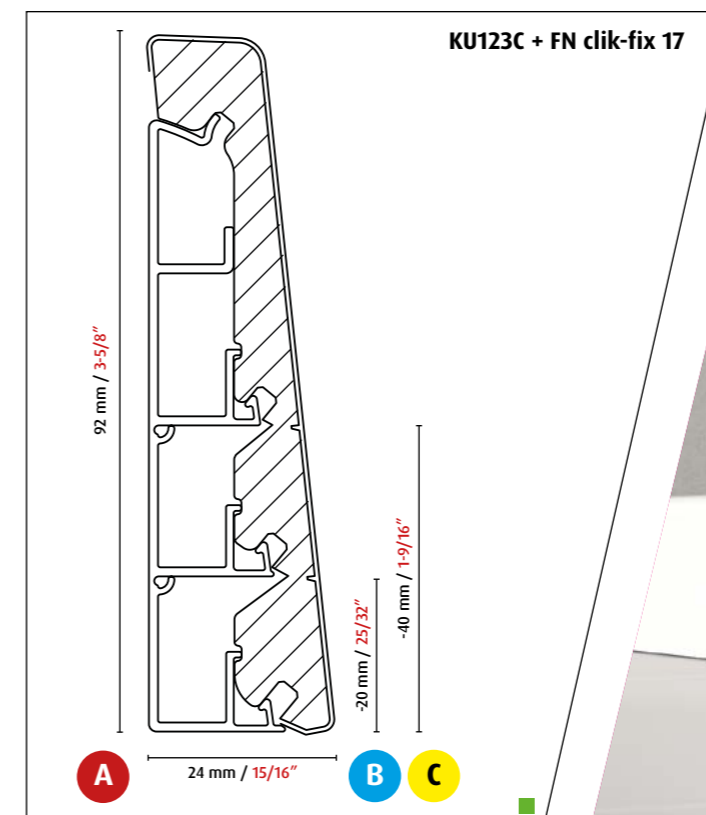
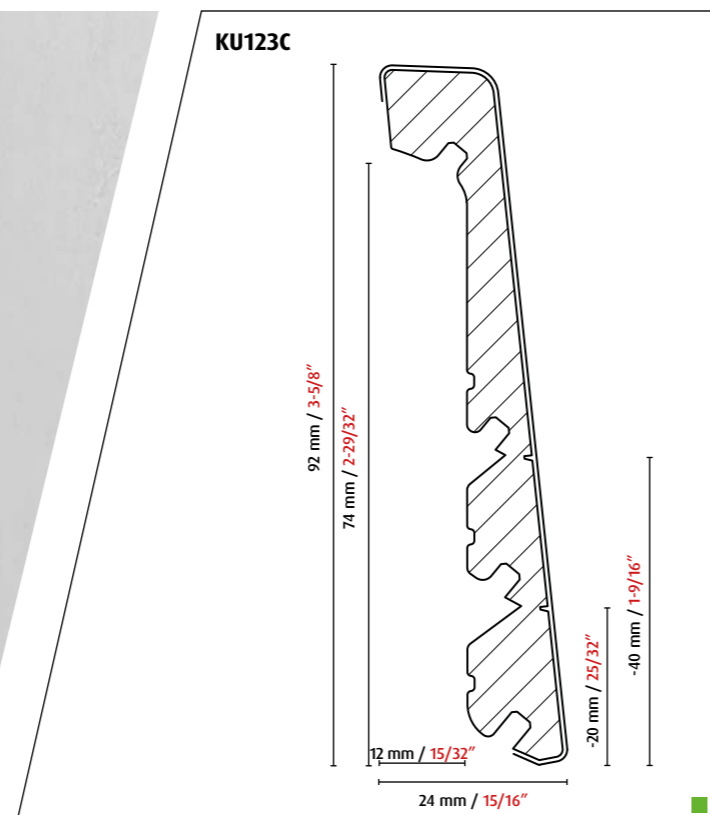
Also available as a combination pack with the profile.

also as a set

A

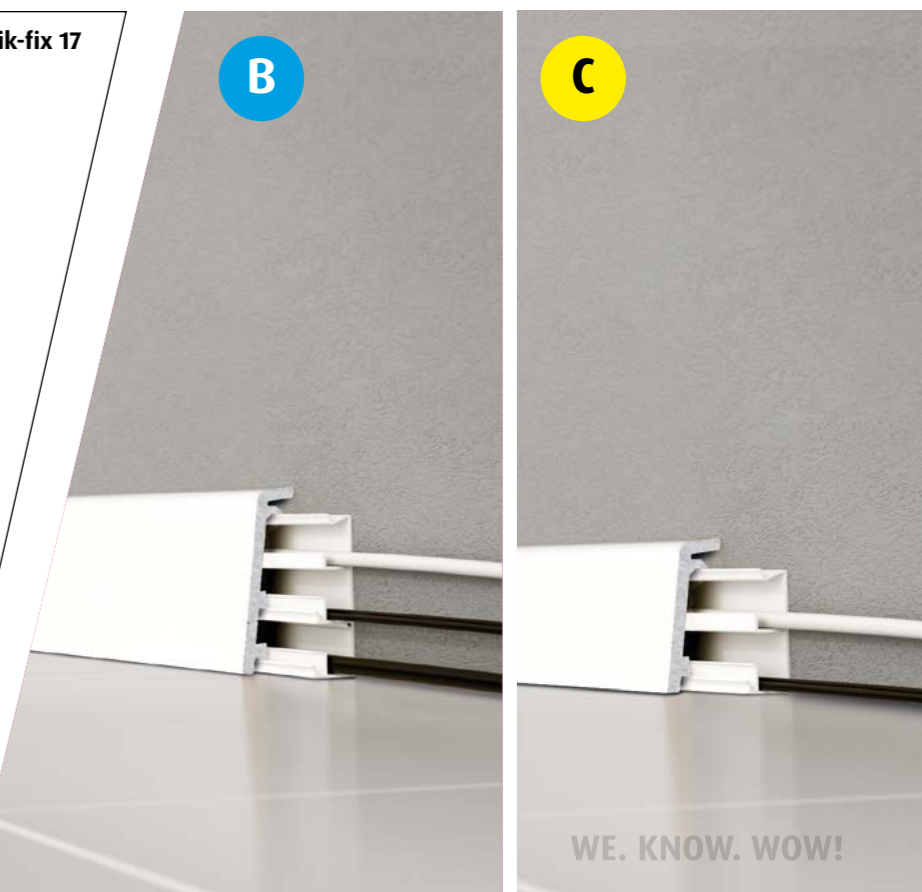


Coverage max.
12x74 mm
15/32" x 2-29/32"



B

C



WE. KNOW. WOW!



FN pipe-pro

Pipe cover profiles.

These practical, attractive pipe covering profiles are highly functional and facilitate time-saving, invisible, professional installation as they have an individual mounting rail.

The corners and clips are included for easy assembly.

Even large profiles such as pipe-covering profiles, need to be laid around corners. To simplify this process and save on complicated mitre cuts, we offer corner and end pieces that allow the profile to be cut straight and are connected to the profile using the FN klik-fix installation system.

Product advantages:

- Ideal for covering heating pipes.
- Simple, quick and invisible installation due to built-in mounting rail.
- Repeated installation and removal possible.
- Can also be used on floors that have already been laid.
- Optimum price/performance ratio.



Fastening rail and profile



FN klik-fix 14 for FRA02
FN klik-fix 18 for FRA04

FRA02

Accessories



Inner corner

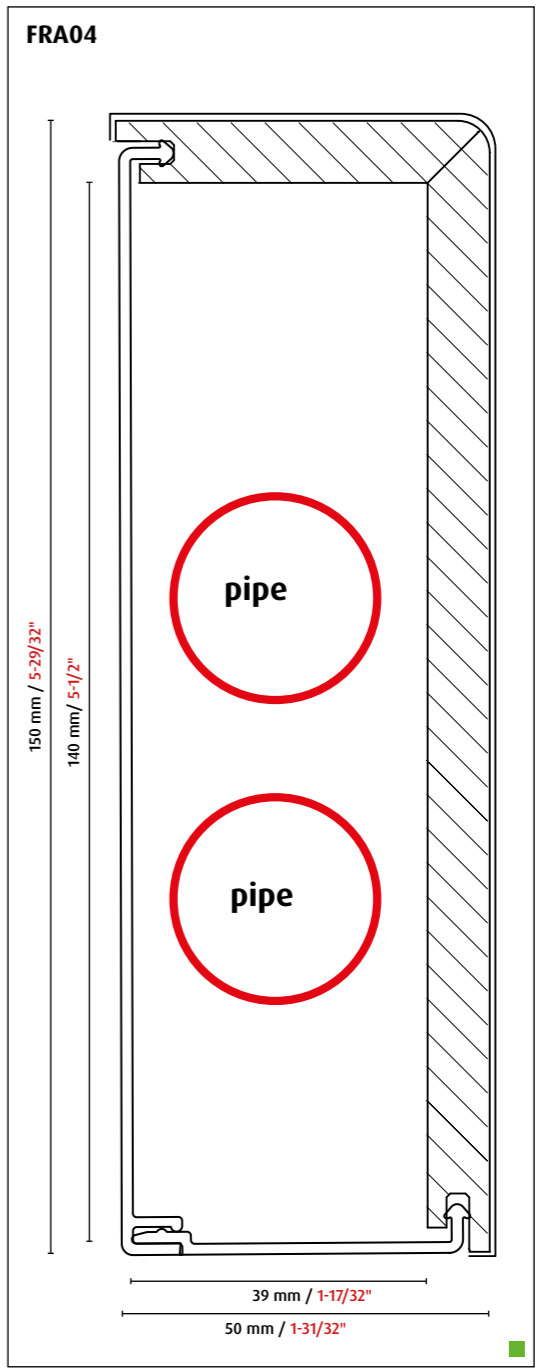
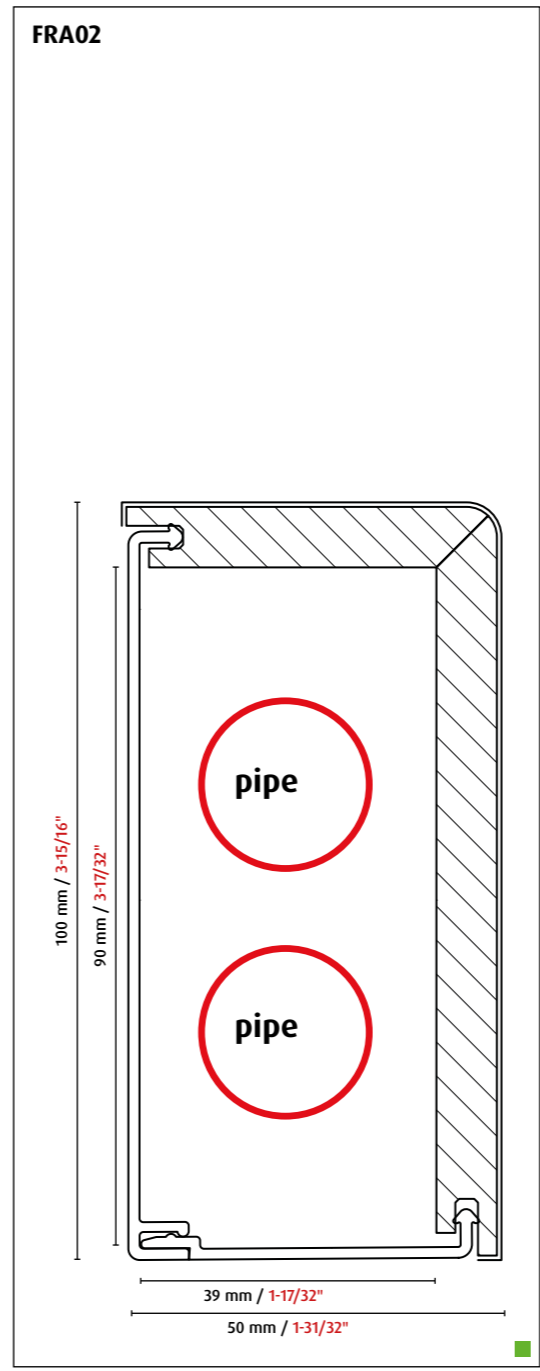
Outer corner

End piece

Décors



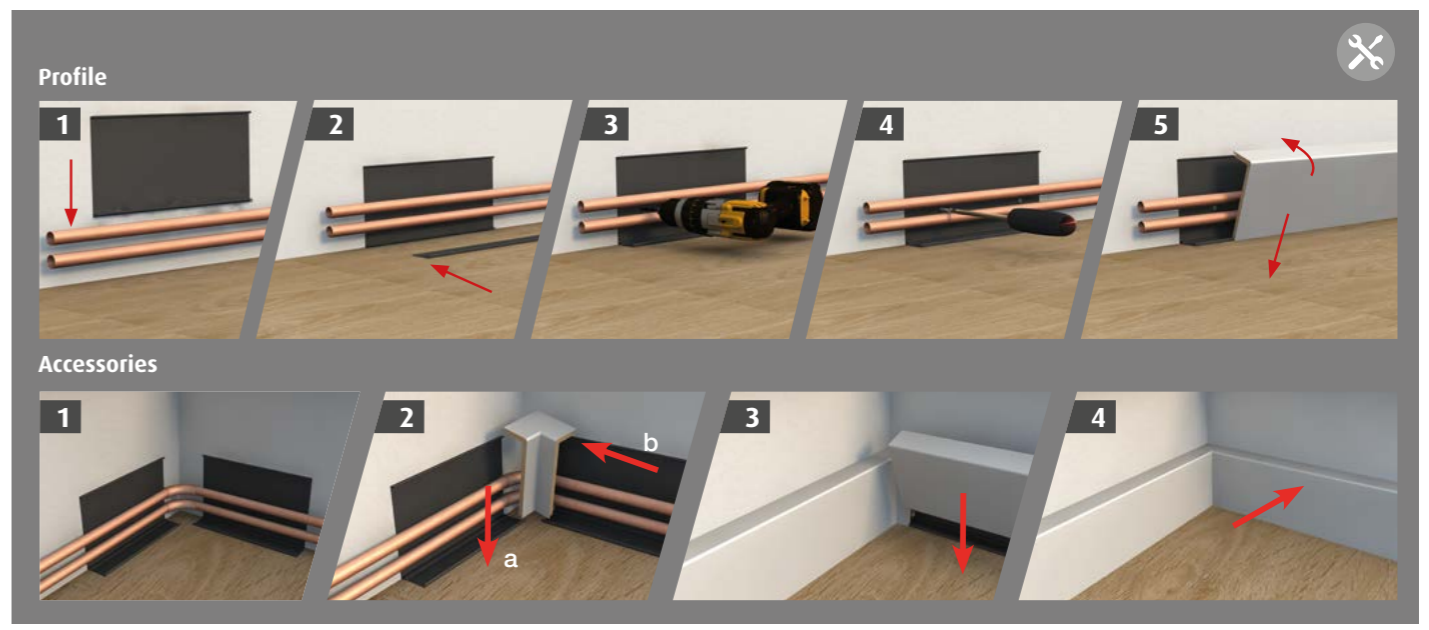
White ■ Oak ■ Maple ■ Beech ■ Walnut ■



Packaging example
Inner corner, 2 pieces per package



Fastening clip
FN klik-fix 14 for FRA02
FN klik-fix 18 for FRA04
3 pieces per package



■ Available: in stock ■ Available: fast ■ Available: normal ■ Available: on request

WE. KNOW. WOW!

FN shine-pro

The look of brushed stainless steel.

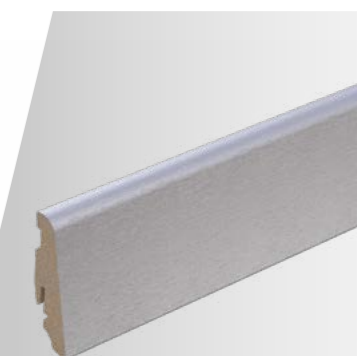
These high-quality MDF strips are covered with an aluminium laminate. The elegant look of FN shine-pro skirting boards is designed for customers with special requirements.

FN shine-pro is available in many versions and is offered in a brushed stainless steel look in gold and silver. Other designs available on request.

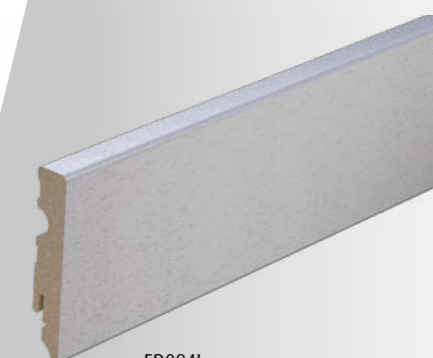
Thanks to the FN klik-fix milling, the profiles with the FN klik-fix system can be easily installed - without any annoying screws on the visible surface.

Product advantages:

- Elegant look thanks to the high-quality aluminium coating.
- Simple installation with installation systems FN Clipholder CH23 and FN klik-fix 23.
- Matching inner and outer corners, intermediate and end pieces included as accessories ED060L.

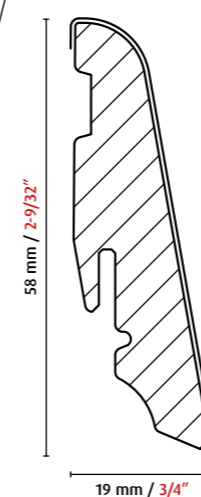


ED060L

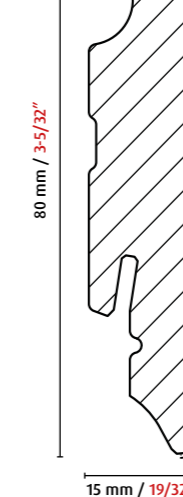
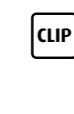


ED084L

ED060L



ED084L



Décors



Gold



Silver

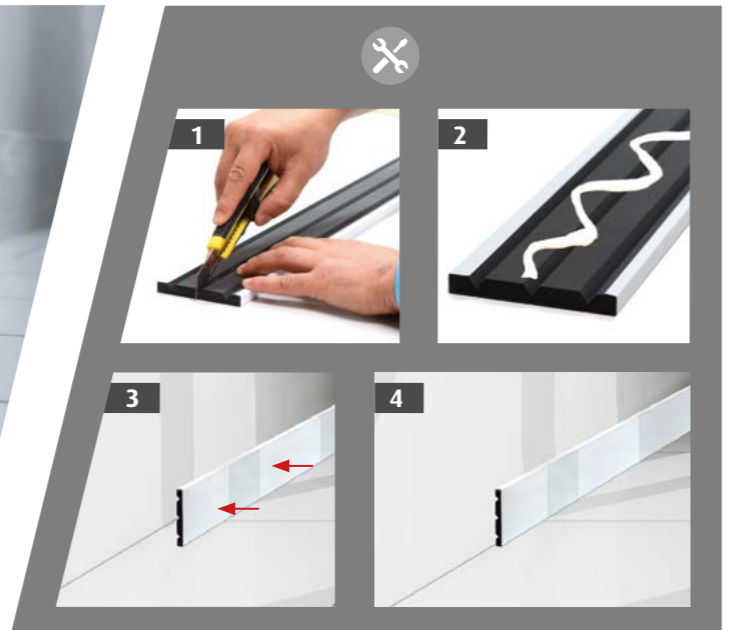


FN tile-fix

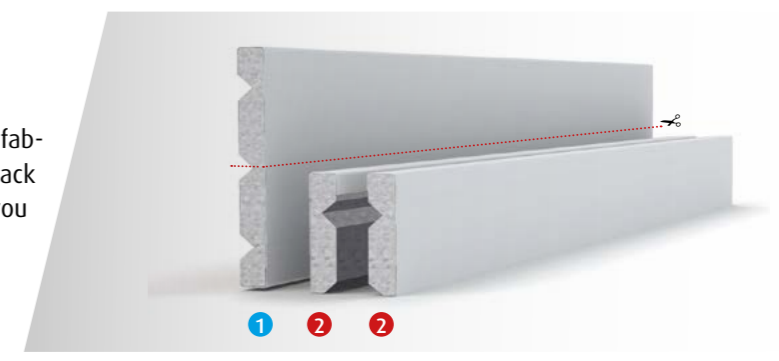
Skirting boards for tiled floors
 The typical tile base is always too short, difficult to cut and has to be grouted. Why not try a skirting board that matches the design of the tiles instead?

The profile can also be divided, shortened, combined in a variety of ways and is also waterproof.

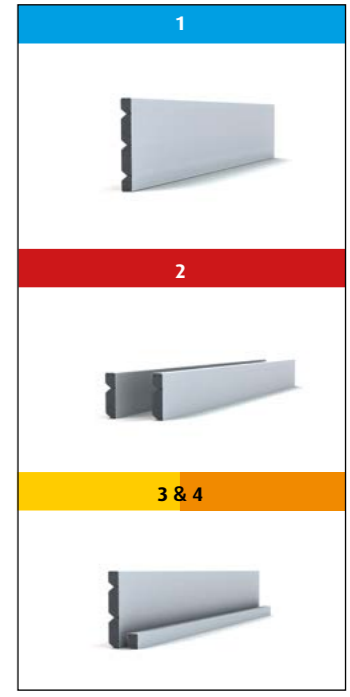
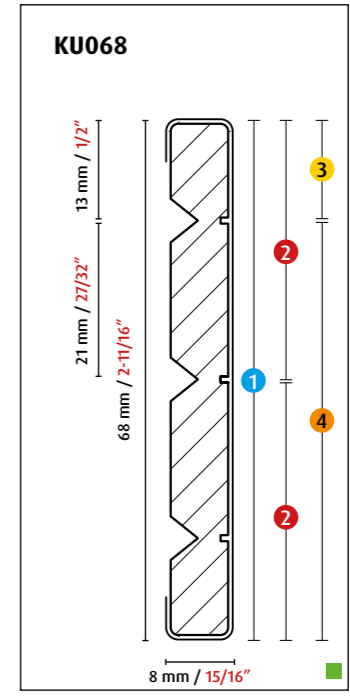
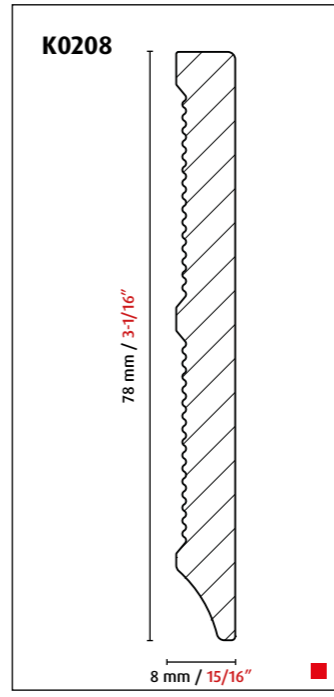
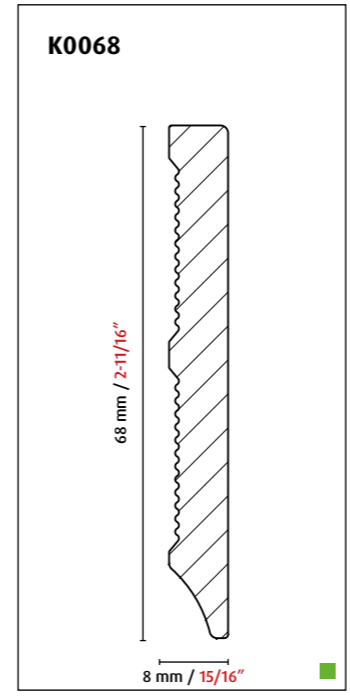
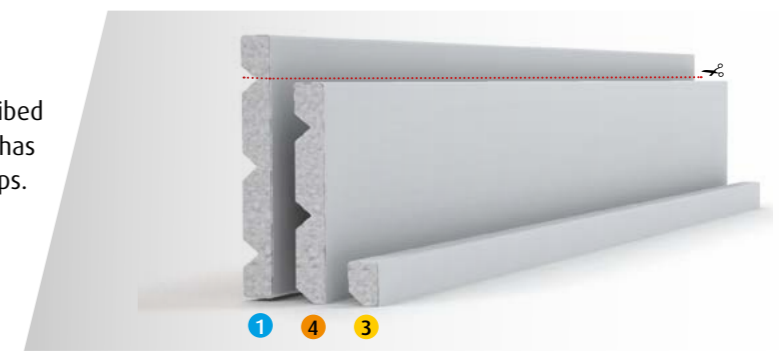
- Product advantages:**
- Waterproof due to plastic base.
 - Versatile use and application due to the adjustable installation heights.
 - No tile adhesive or grouting required on the wall like tiles.
 - Simply attach with installation adhesive.



Version 1: Half - half.
 Cut through the foil on the visible side along the prefabricated groove with a cutter, score the strip on the back along the V-groove and break off the rest. This is how you quickly and easily make two strips from one strip.



Version 2: One third - two thirds.
 Cut off the lower part of the strip in the manner described above and use it as a quarter strip, or use the strip that has been shortened by 13 mm / 1/2" - or combine the two strips.



PoS box



Counter display



Sample pack



Adhesive corners, 2 pieces per pack

Available: in stock Available: fast Available: normal Available: on request

WE. KNOW. WOW!



FN water-pro

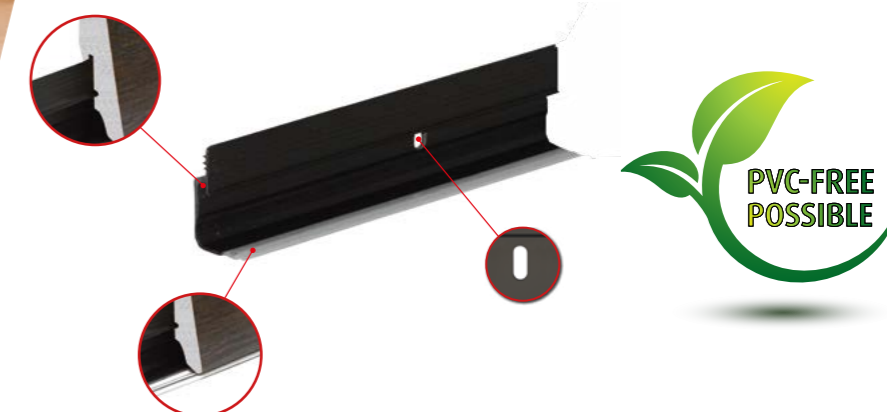
The right LVT profile.

Most skirting boards get wet. For applications that require special moisture resistance, such as waterproof LVT floors, we developed a profile that combines the advantages of the waterproof plastic base with the advantage of matching the design to the floors.

Decorative papers, printed digitally or using the gravure printing process, are glued to the base with waterproof PUR adhesive. This gives you a universal product, ready for every application.

Product advantages:

- Waterproof base - the ideal combination for vinyl & LVT floors.
- Waterproof bonding through the use of PUR adhesives.
- Robust design - can be installed with Clipholder CH23, but also with screws or nails.
- Installation rail with integrated sealing lip - the ideal combination.
- Foils of the same décor can be used for the surface, in a 1:1 colour match to the vinyl floor.
- Matching plastic corners available for KU051L, KU062L and KU014L.
- Digitally printable.



FN digiprint

possible





KU017

14 mm / 9/16"

14 mm / 9/16"

PVC PS

KU026

16,5 mm / 21/32"

16,5 mm / 21/32"

PVC PS

KLU03

5 mm / 7/32"

Self-adhesive strip

PVC PS

KU146L CLIP

35 mm / 1-3/8"

13 mm / 1/2"

PVC PS

KU048L CLIP

13 mm / 1/2"

PVC PS

KU051L CLIP

13 mm / 1/2"

PVC PS

KU014L CLIP

58 mm / 2-9/32"

14 mm / 9/16"

PVC PS

KU062L CLIP

58 mm / 2-9/32"

15 mm / 19/32"

PVC PS

KU601

60 mm / 2-3/8"

10 mm / 13/32"

PVC PS

KU469L CLIP

60 mm / 2-3/8"

11 mm / 7/16"

PVC PS

KU145L CLIP

68 mm / 2-11/16"

13,5 mm / 17/32"

PVC PS

KU080L CLIP

78 mm / 3-1/16"

14 mm / 9/16"

PVC PS

KU505L CLIP

78 mm / 3-1/16"

15 mm / 19/32"

PVC PS

KU195

80 mm / 3-5/32"

10 mm / 13/32"

PVC PS

KU506L CLIP

98 mm / 3-27/32"

15 mm / 19/32"

PVC PS



Accessories

FN klik-fix 23 D2: Rail with 15 mm / 19/32" wide sealing lip for profiles with <15mm coverage

90°!

FN pro-flex

Bendable skirting board.

This skirting board consists of a light, very flexible plastic foam that easily fits every curve. Even a 90° corner. Inside and outside. And everything glues in place, no tedious screwing and nailing required. Apply a coat of paint and you're done.

Product advantages:

- Environmentally friendly, non-toxic, CFC-free.
- Made from sustainable regranulate.
- Flexible enough to install on columns or around corners.
- Very durable, will not tear.
- UV and water resistant, making it suitable for bathrooms and outdoor applications.
- Water resistance prevents swelling.
- Resistant to pests.
- Very clean, smooth surface, no additional sanding required.
- Can be used with any commercially available interior paint or varnish.
- Power adhesive/contact adhesive is recommended for assembly.

Technical specifications

- Water absorption: 0.002 %.
- Temperature range: -20 to +84° C.
- Shrinkage due to temperature: -0.27 %.
- Length: 2.4 m / 7,9 ft..



See installation video

SK005

Can be combined with profile: FU017



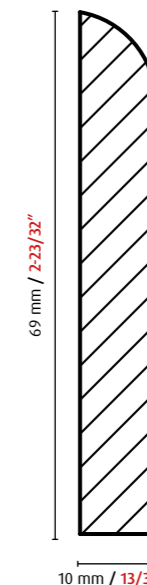
SK001

Can be combined with profile: FU052L



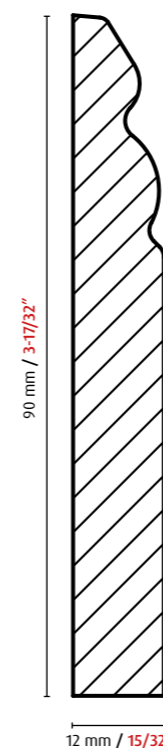
SK002

Can be combined with profile: FU066L



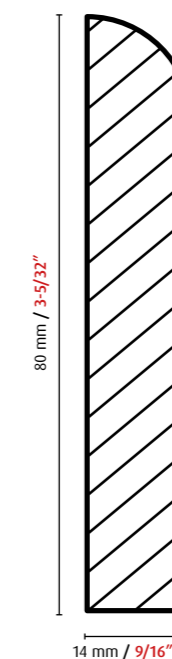
SK003

Can be combined with profile: FU089L



SK007

Can be combined with profile: FU077L



SK005

SK001

SK002

SK003

SK007



Packaging
Flexible skirting in 2.4 m / 7,9 ft. length on a roll

Available: in stock Available: fast Available: normal Available: on request

WE. KNOW. WOW!



Profiles with sealing lips

Matching design with seal.

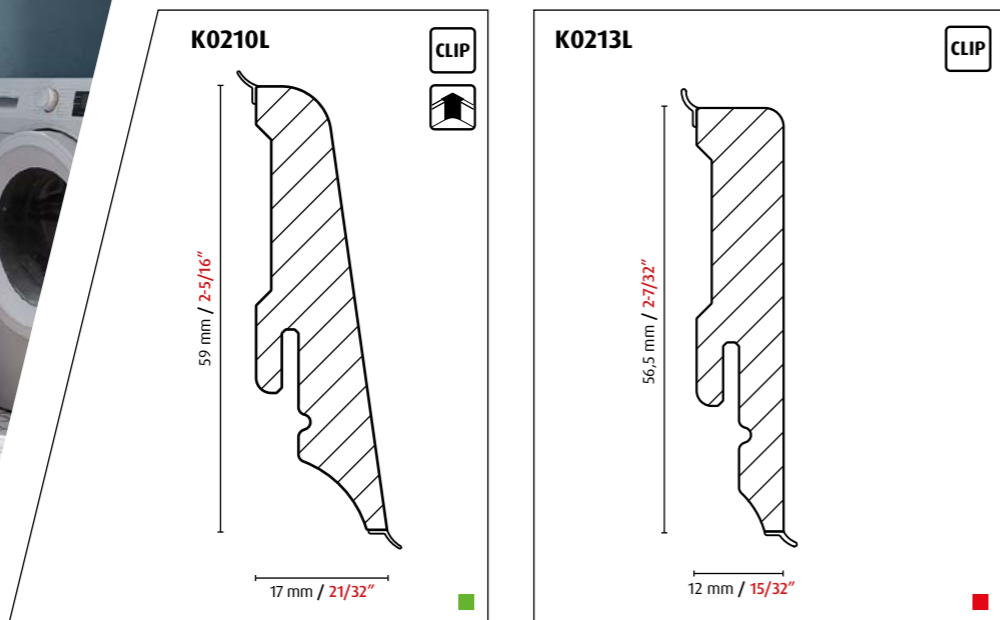
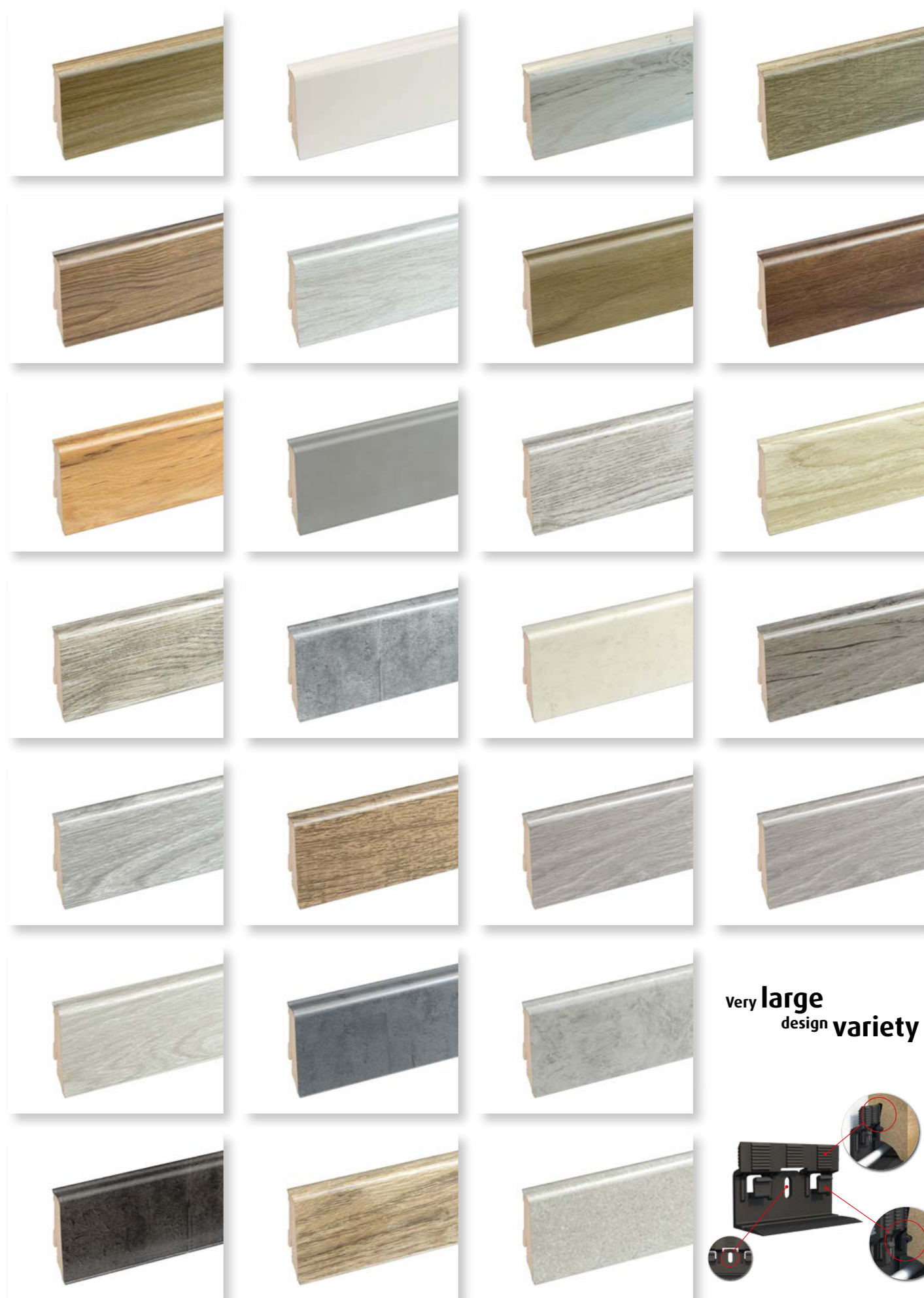
With the increase in LVT floors and vinyl coverings on the market, moisture protection for skirting boards is becoming more and more important. Plastic floor coverings are cleaned with a wet mop. This means that skirting boards need to be protected from water, which can get into the expansion joints and penetrate under the profiles and flooring.

Profiles equipped with sealing lips offer that protection. These sealing lips are soft and flexible so that they lay flush with their adjoining surfaces and smooth out any unevenness. This prevents water penetration and protects the joints.

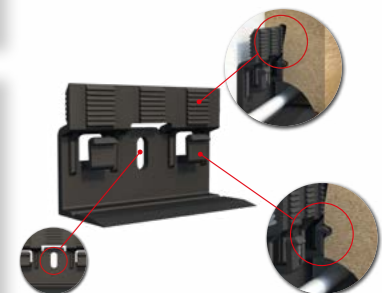
They also reduce the sound transmission from the floor to the wall via the skirting board.

Product advantages:

- Sealing lips protect the expansion joints from moisture.
- Reduced sound transmission from floor to wall.
- Plastic profiles, same design and appearance as the floor.



very large design variety





FN white&pure

A dream in white.

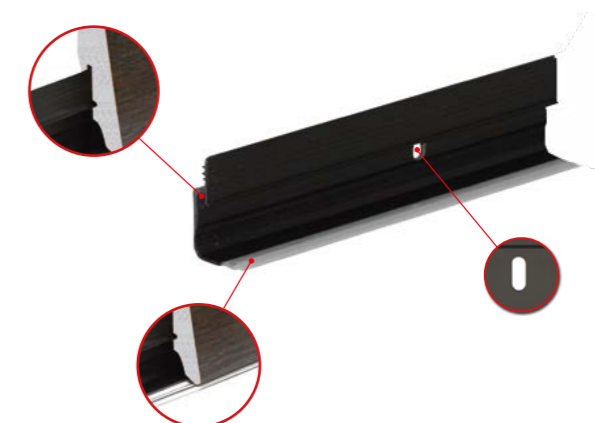
Beauty is in the eye of the beholder, but lightness can be measured. In addition, water resistance is increasingly important as vinyl and LVT floors become more and more popular.

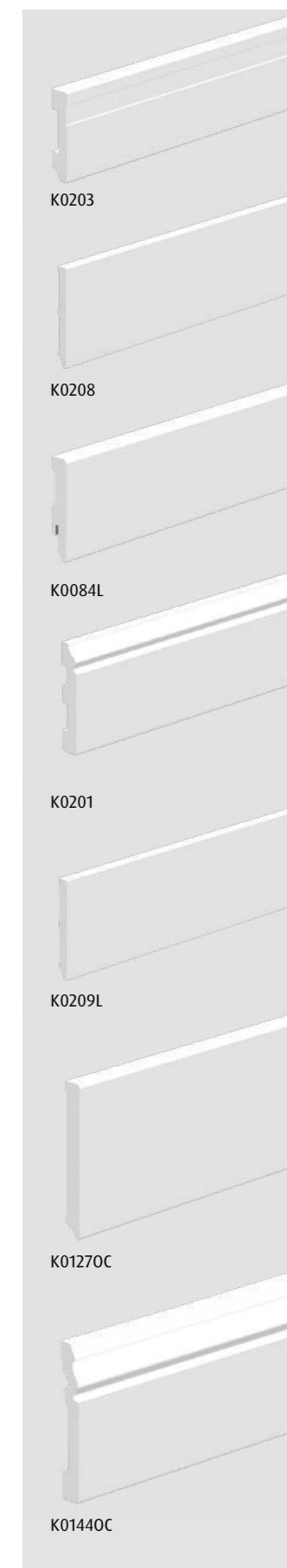
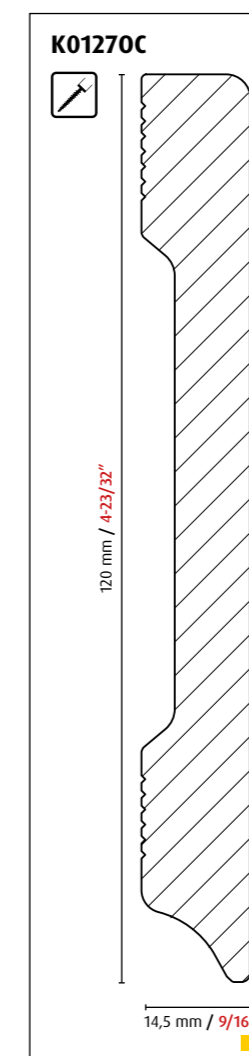
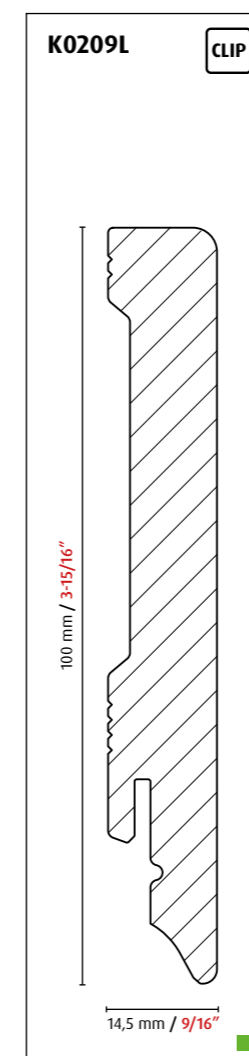
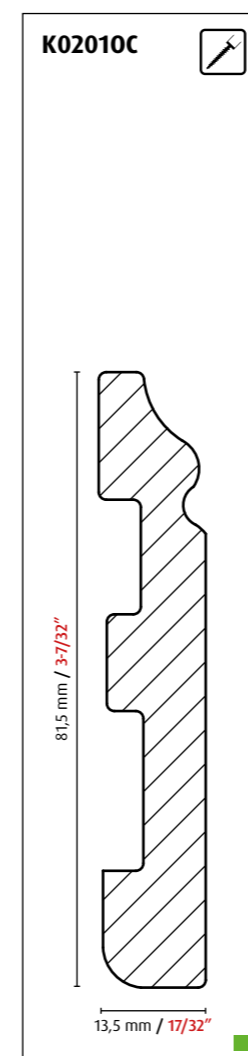
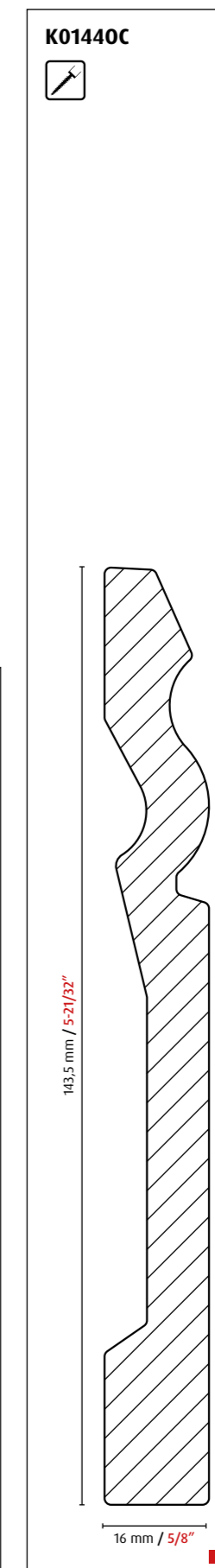
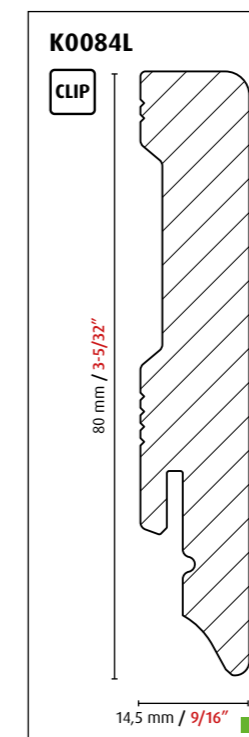
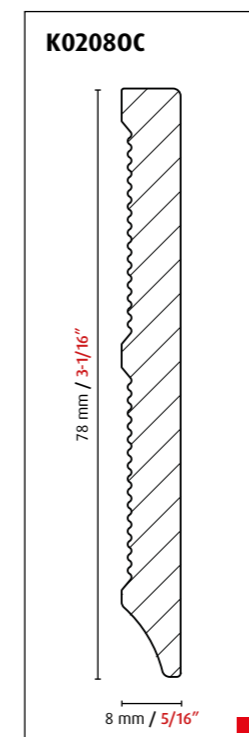
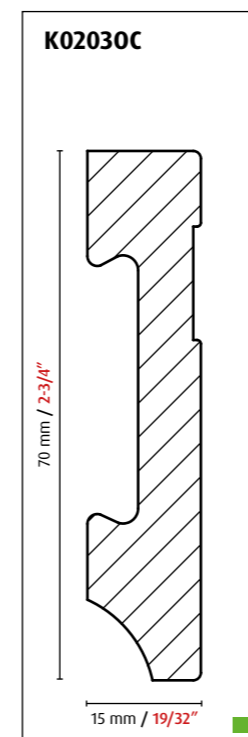
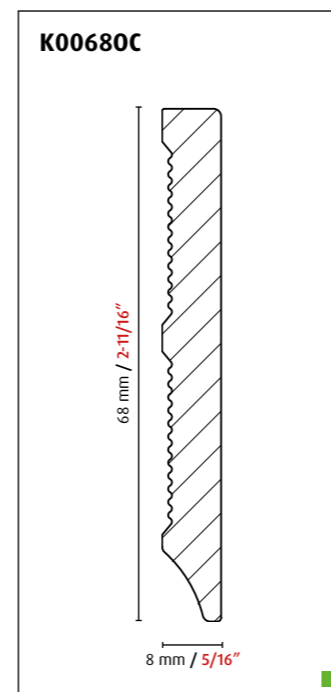
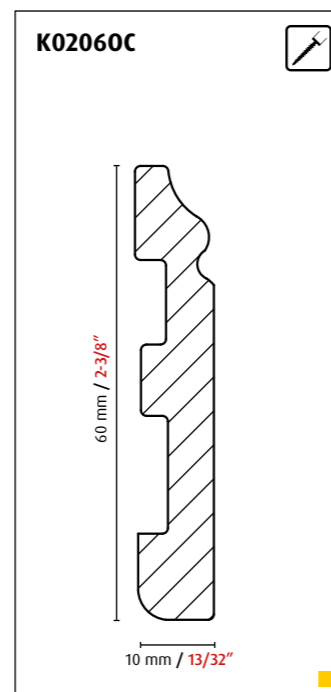
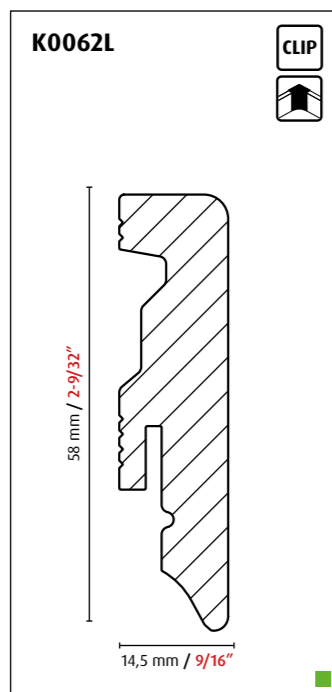
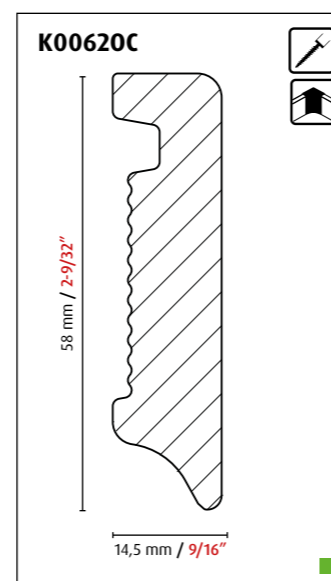
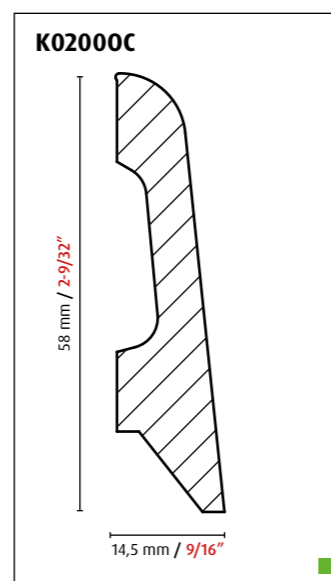
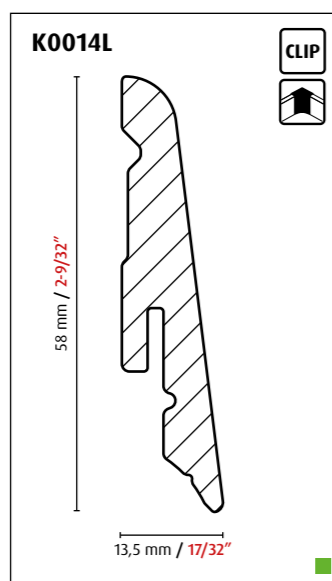
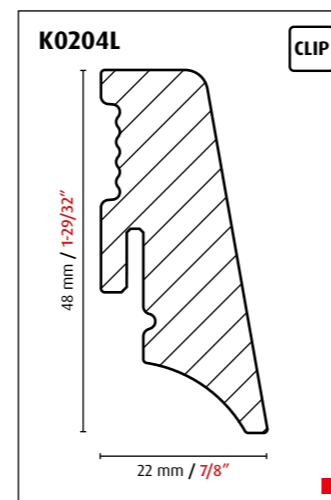
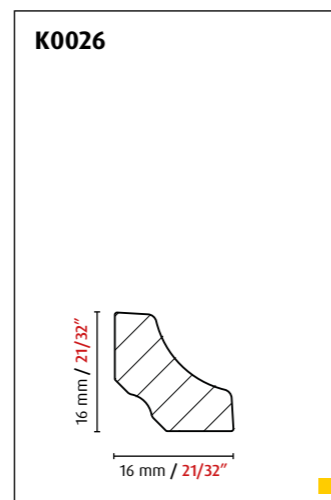
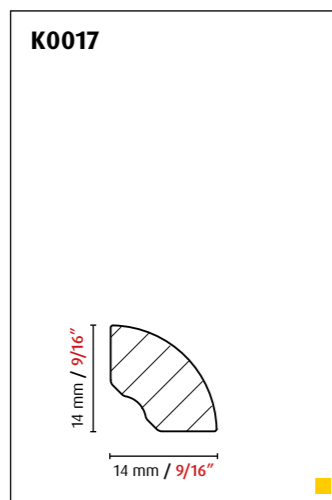
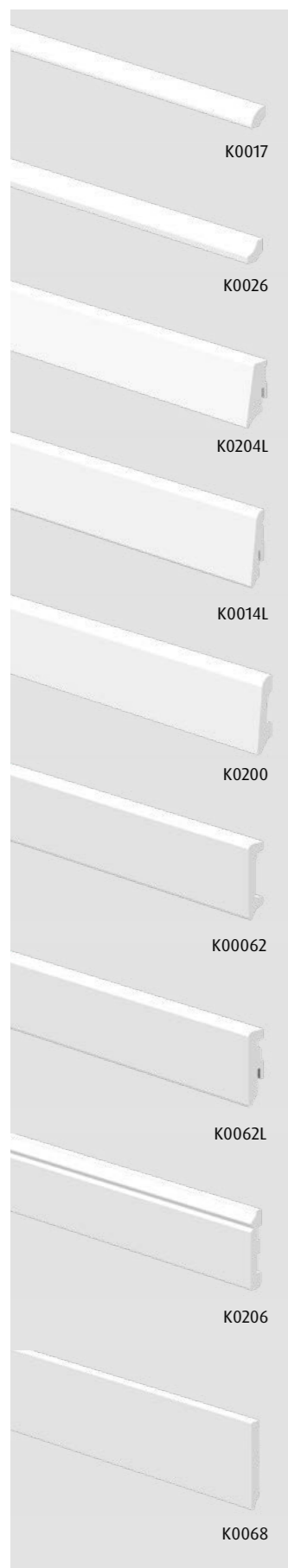
These profiles combine all of these properties. The weight advantage is a result of a foamed polystyrene core that is enclosed by a smooth, robust, white outer shell that provides an attractive appearance. The water resistance results from the material: PS (polystyrene), a plastic that is also chlorine-free.

All in all, countless benefits, now in white, the new colour trend for skirting boards.

Product advantages:

- PS foam skirting with a very smooth and supple surface.
- Waterproof, suitable for wet rooms.
- Easily glued or nailed, in some cases can be installed with Clipholder CH23.
- Plastic corners also available for K0014L, K0062L and K00620C.
- Very light, easy to transport and handle.



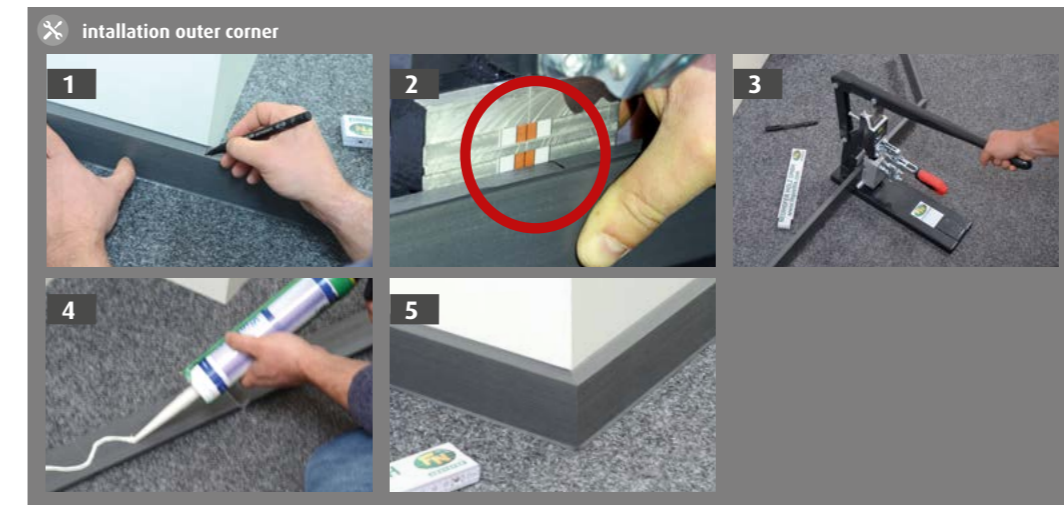
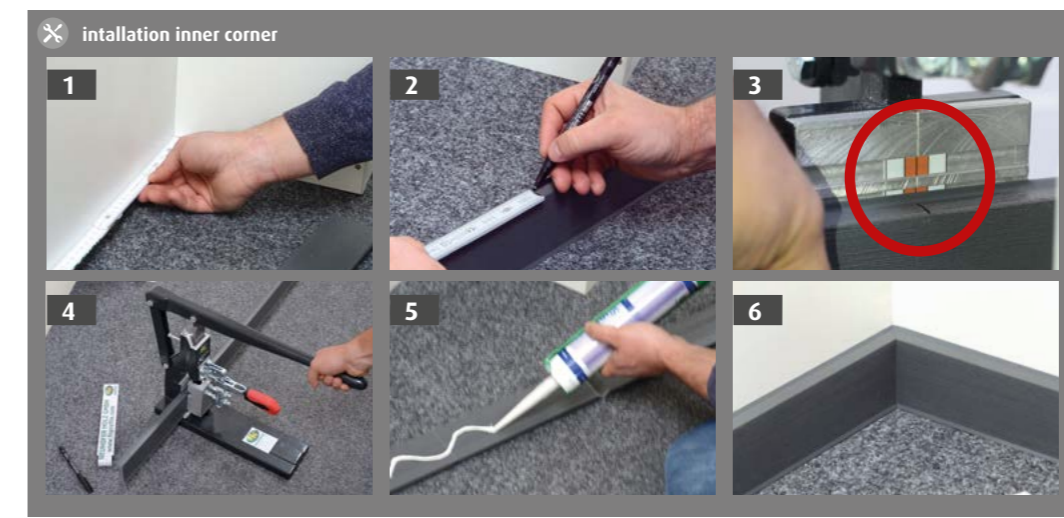
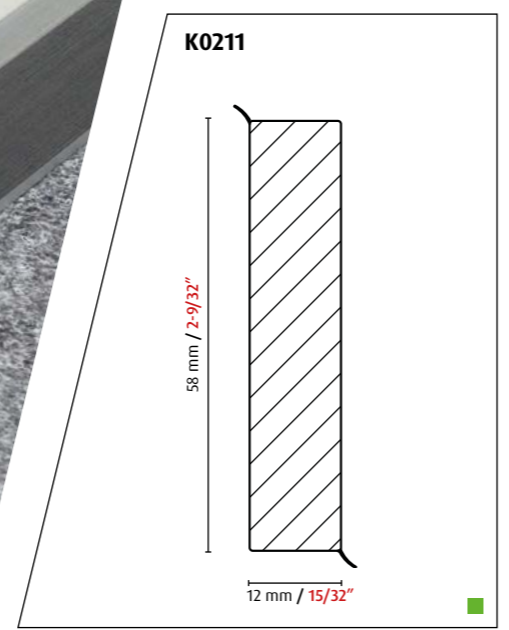




Punchable Profile

The universal profile for the installer
 Measure, punch, glue and you're done.
 Time is money, so everything has to be done quickly and reliably when installing. This foamed plastic skirting with sealing lips offers a waterproof, quick and visually appealing solution to install quickly, safely and easily.

- Product advantages:**
- Completely waterproof.
 - Sealing lips to wall and floor.
 - Modern cubic shape.
 - Foamed plastic (PVC), i.e. very lightweight.
 - Surface finish: smooth or brushed.
 - Different solid colours possible.
 - No mitre cut necessary, use the punch accessory instead.
 - Inner corners and outer corners can be punched out.
 - Very easy to use punch.
 - Dimensions: 12x58x2400 mm / 15/32"x2-9/32"x7,9 ft..
 - Packaging: 20 pieces in a box.

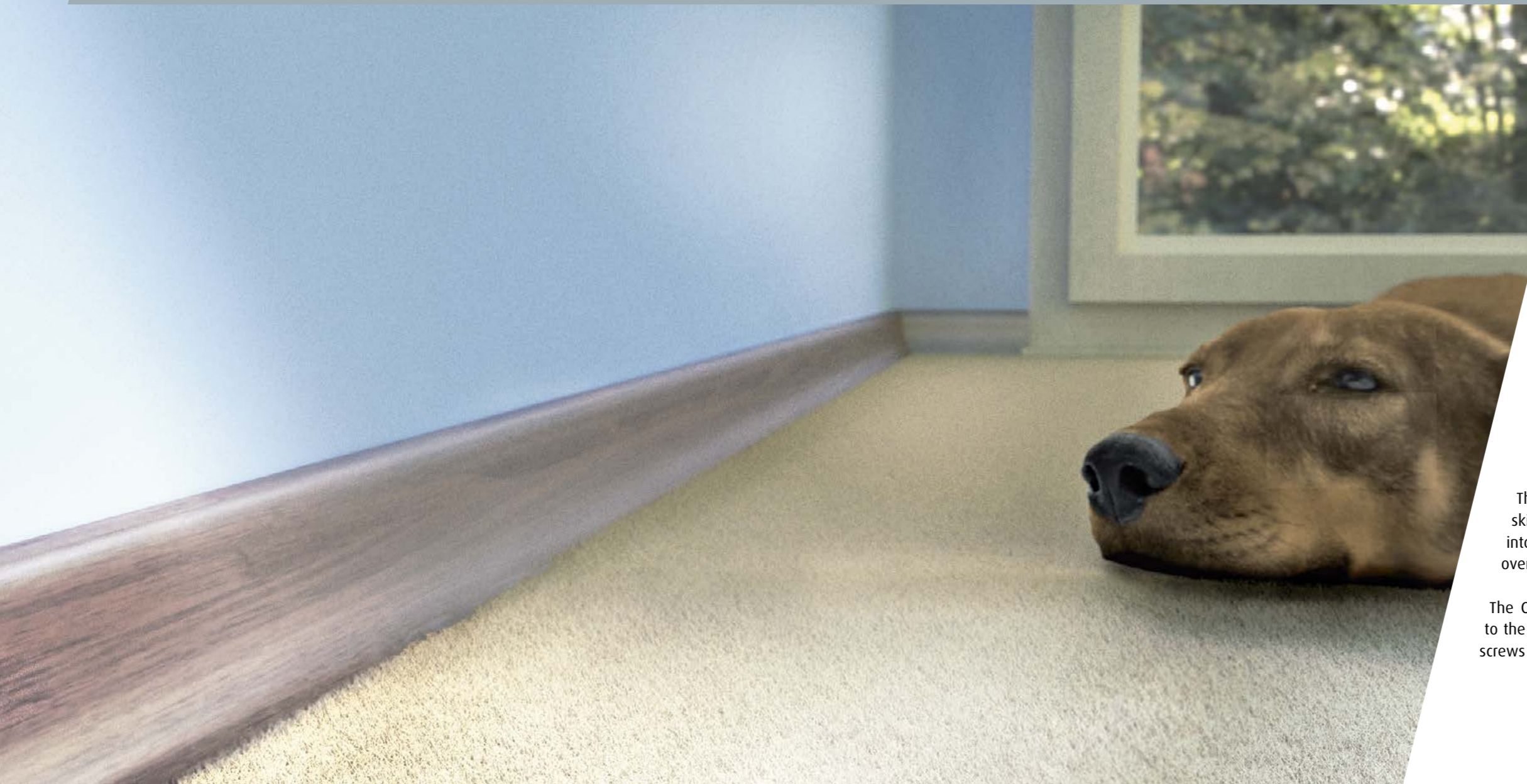


Colours



Available: in stock Available: fast Available: normal Available: on request

WE. KNOW. WOW!



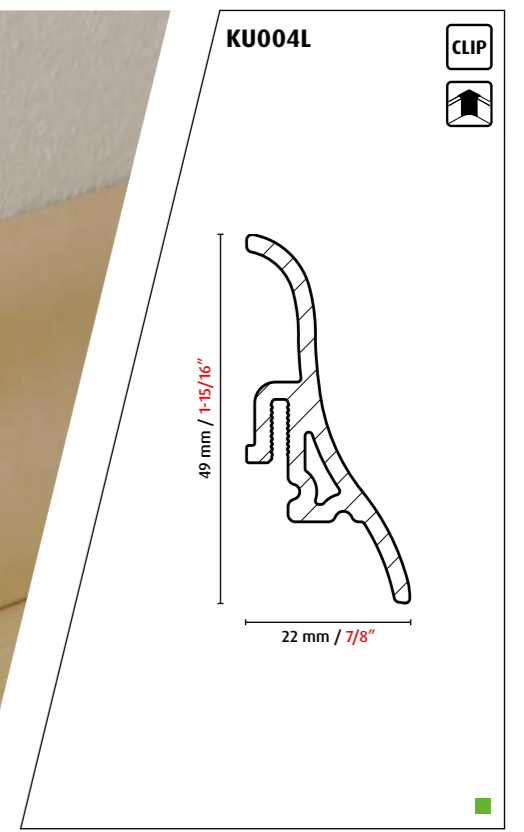
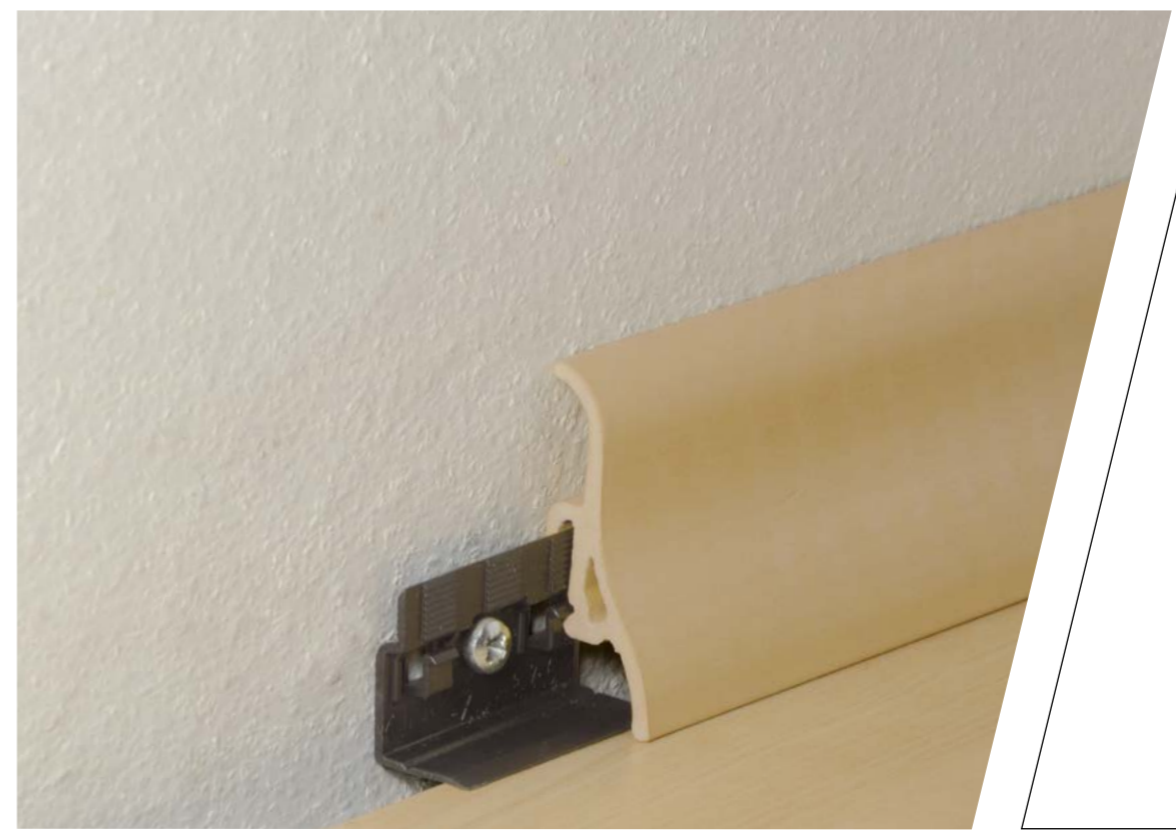
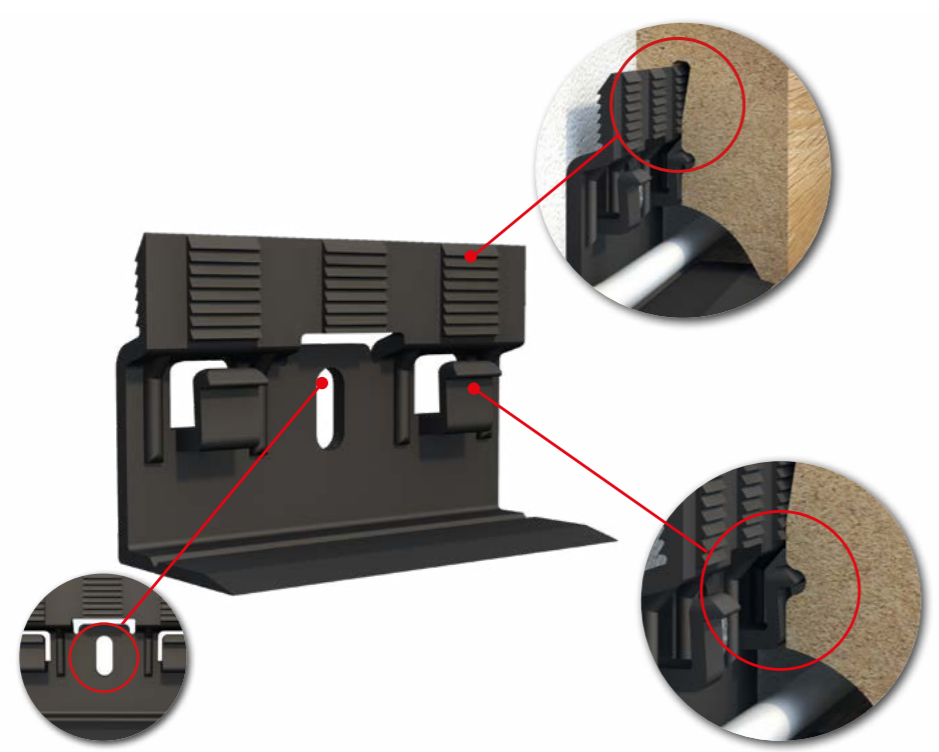
The classic

The profile with the tried-and-true clip.

The classic among the plastic skirting boards - a classic design paired with the classic clipholder - a combination that has been tried and tested for many years. No template is required for installation with the FN CH 23 clip. The L-shaped clipholder, 16mm / 5/8" in length, bridges the expansion joint of the floor.

The hollow strip geometry makes laying cables behind the skirting board super easy. To prevent the cable from sinking into the expansion joint, we recommend adding an angle profile over the joint.

The Clipholder CH23 is made of high-quality plastic. In addition to the clipholders, the "all-in-one pack" contains all the necessary screws and dowels.





Problem-solver

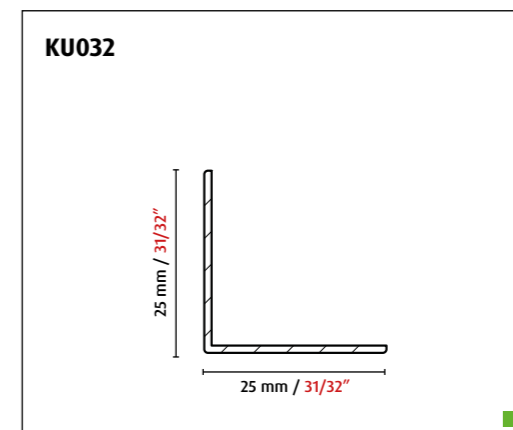
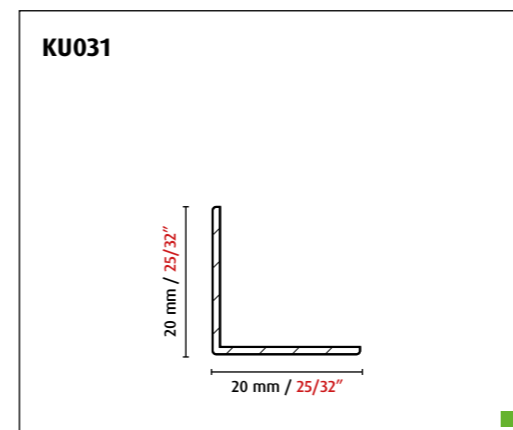
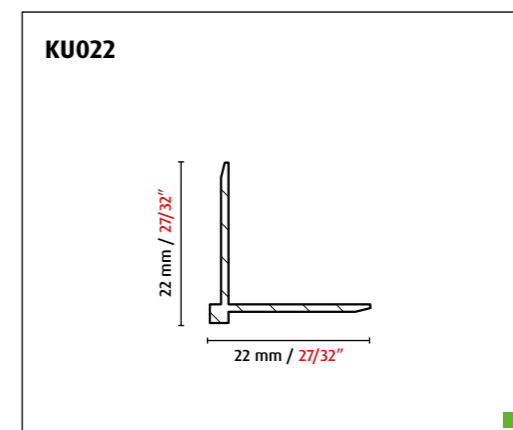
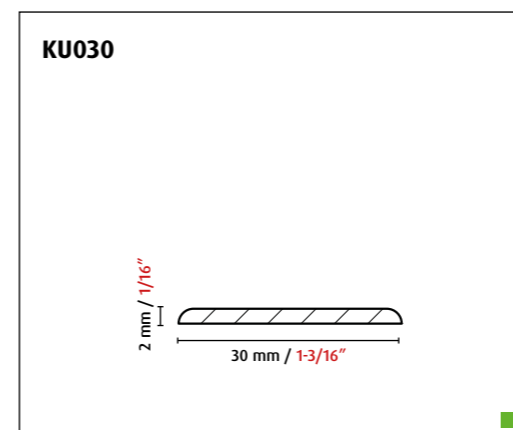
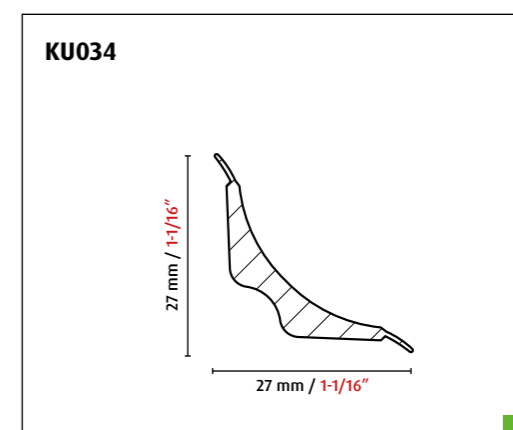
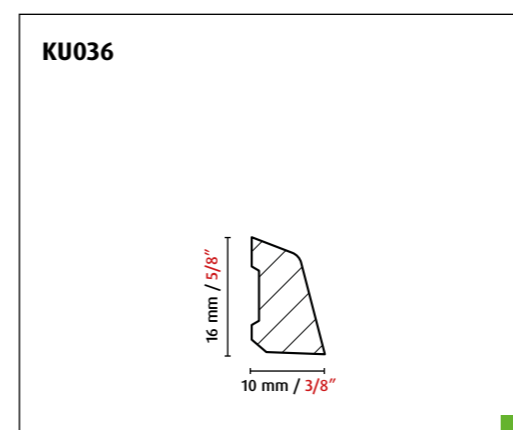
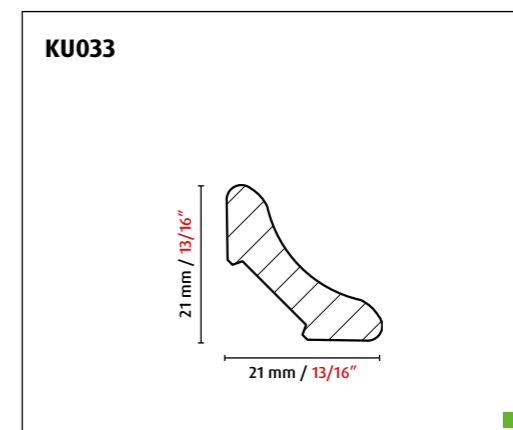
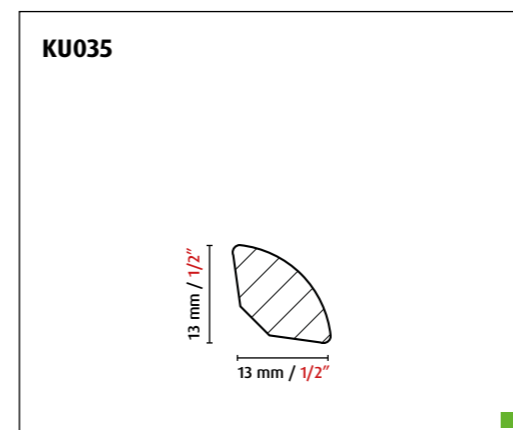
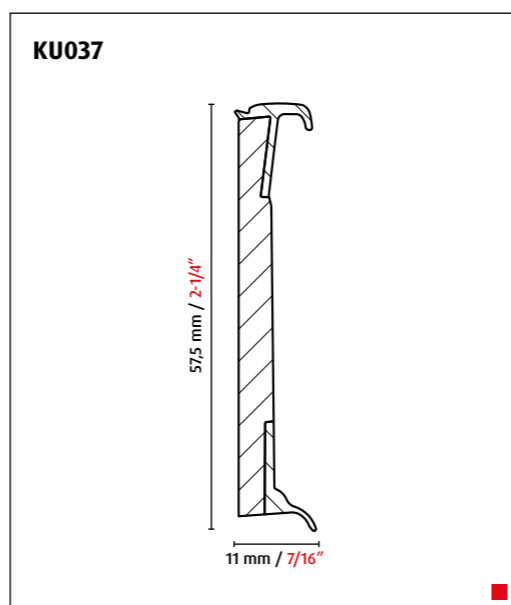
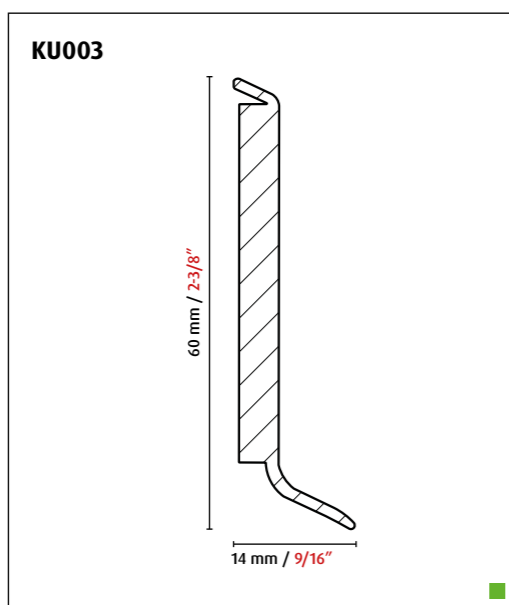
Plastic is malleable in many ways and, most importantly here, it's waterproof. The following pages offer you solutions to common household problems, including covering wall panelling and small joints in corners or on outer edges.

Our KU037 profile plays a special role here: this product is intended for the wall end of design coverings, with the advantage that you can glue a strip of the floor into the profile and create a finish that matches the décor. The skirting board also has a sealing lip that prevents any gap between the profile and the floor.

Product advantages:

- Curved trim and quarter rounds to cover corner joints.
- Corner strips to cover edges.
- All profiles are waterproof.
- KU037 is ideally suited for finishing design coverings.
- Sealing lip prevents gap formation.
- Sealing lip prevents moisture from entering the expansion joint.

Panel strips





Window profiles

Skilfully cover joints.

When windows are installed in houses, there is always a small gap to the wall to facilitate installation. This gap is filled with foam and this is exactly what makes window profiles necessary: they cover this gap. The profiles are made of plastic, which makes them the perfect accessory for plastic windows.

Some include sealing lips to make installation easier and ensure that the result is seamless.

Product advantages:

- Waterproof.
- K0039, K0041, K0042 with tape.
- K0039, K0042 with sealing lip.
- Ideal for covering the gap around the window.
- Perfect for plastic windows.
- Colour: white.



K0038

Lengths: 1,0/3,3 / 1,5/4,9 / 2,0/6,6 m/ft. ■

K0039

Lengths: 1,0/3,3 / 1,5/4,9 / 2,0/6,6 m/ft. ■

K0040

Lengths: 2,0/6,6 / 2,5/8,2 m/ft. ■

K0041

Lengths: 1,4/4,6 m/ft. ■

K0042

Lengths: 1,4/4,6 m/ft. ■



Carpet skirting boards

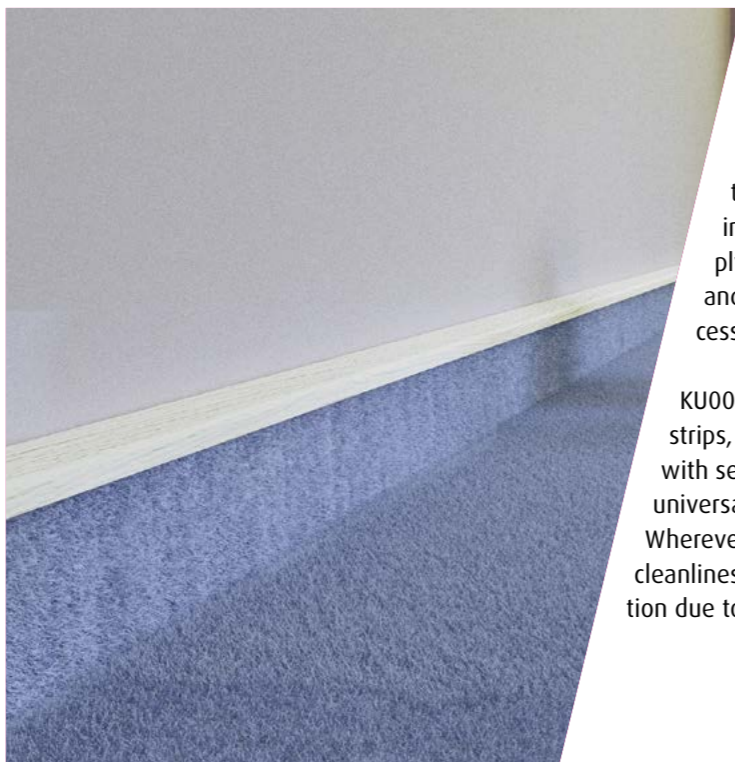
Packaging



Packing KU006



Packing KU007



The all-round profile for all floor coverings.

KU001 and KU002: The perfect companion for edging carpets. You no longer have to do the tedious work of linking carpet edge sections – simply cut to the required width and glue the carpet into the recess provided on the strip.

KU006 and KU007: These plastic strips, supplied on a roll and fitted with self-adhesive tape, can be used universally and are easy to install. Wherever the focus is on hygiene and cleanliness, this strip is the ideal solution due to its easy maintenance.

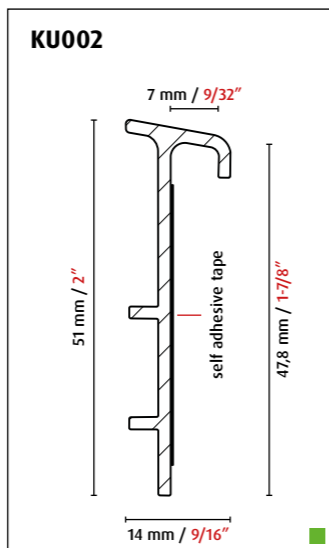
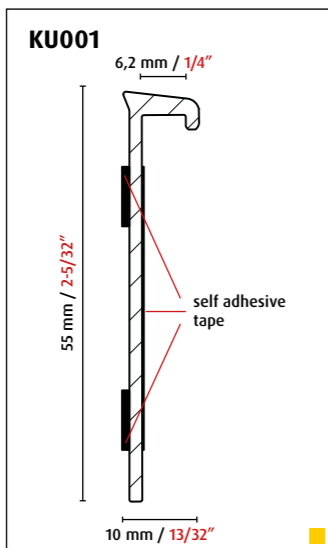
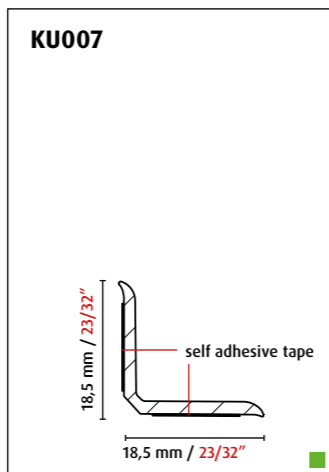
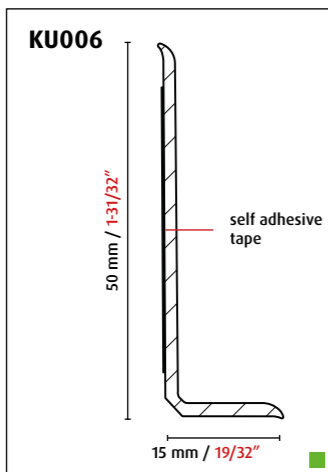


KU006

KU007

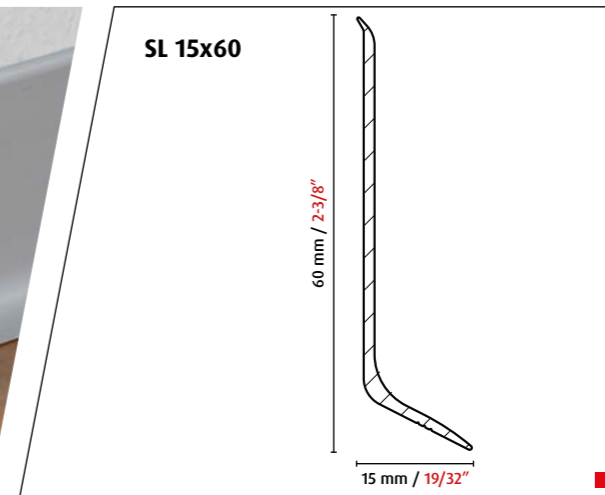
KU001

KU002

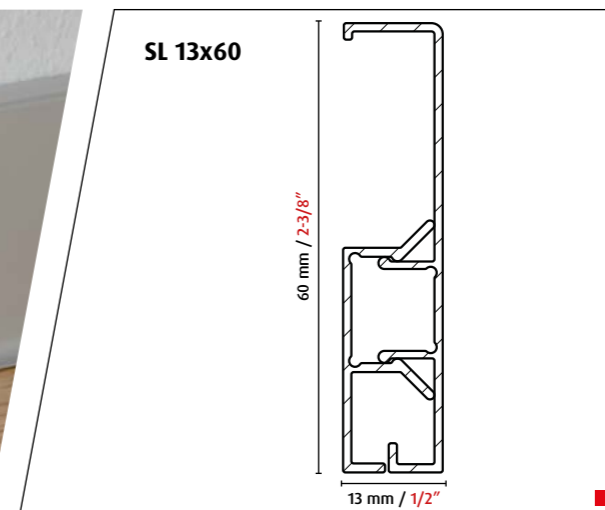


FN power-pro Alu-skirting boards

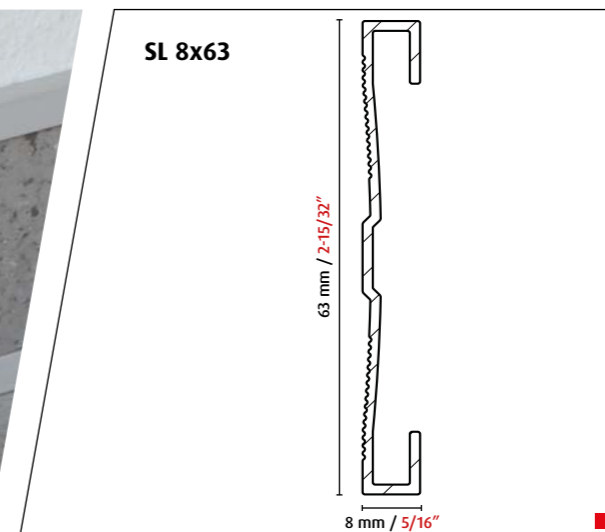
Aluminium skirting boards are characterised by their robustness, sophisticated finish and high-quality appearance. They are also the top-notch, all-around talents of our product range. You can insert floor strips of different thicknesses (e.g. vinyl) and the skirting board automatically compensates for the different floor thicknesses of 3.5-5 mm / 1/8-3/16". Alternatively, you can use the intelligent two-piece cable management profile. Attach it to the wall with a clip, insert the cables, and the skirting board elegantly covers the whole thing.



SL 15x60



SL 13x60



SL 8x63



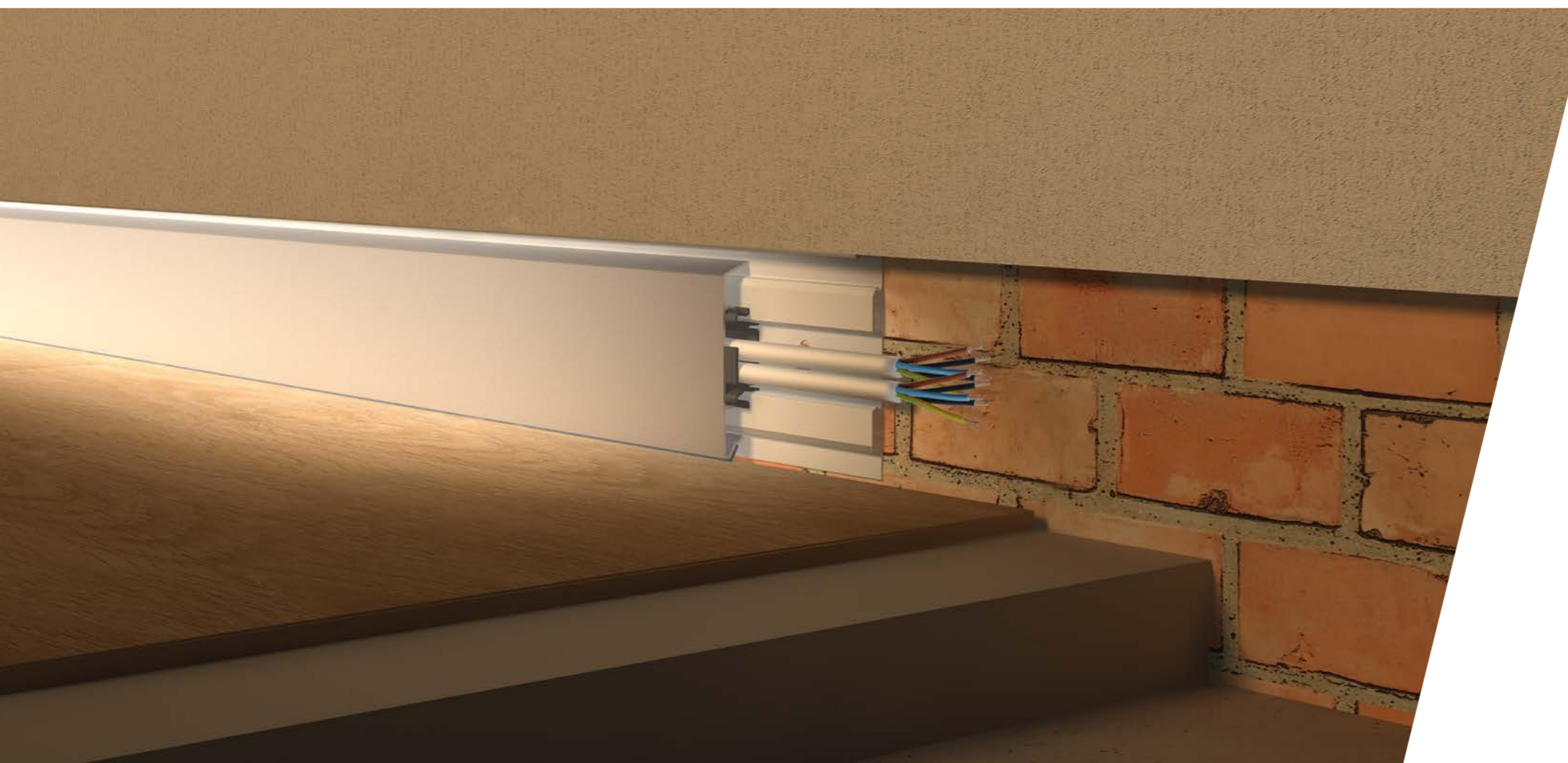
FN flush-pro

The profile that is flush with the plaster.

In order to be able to place furniture completely against the wall, it is practical if everything on that wall is flush. The plaster-flush skirting board can do that. The strip is made of aluminium and is fitted before the wall is plastered. After plastering, a cavity remains in the base area. This cavity is used when laying the floor to accommodate the floor expansion joint. The cavity can then either be filled with a floor section or with two different cover profiles: one profile covers the entire area from the plaster to the floor, the other profile leaves an opening on the lower edge of the plaster into which an LED strip, for example, can be glued.

Product advantages:

- 3 wall connection options: insert floor strips or two different covers.
- 2 different thicknesses available: 13mm and 15mm.
- Robust aluminium base profile.
- Furniture can finally be placed directly against the wall.
- It is no longer necessary to clean the skirting boards.



✂ Installation of the base profile



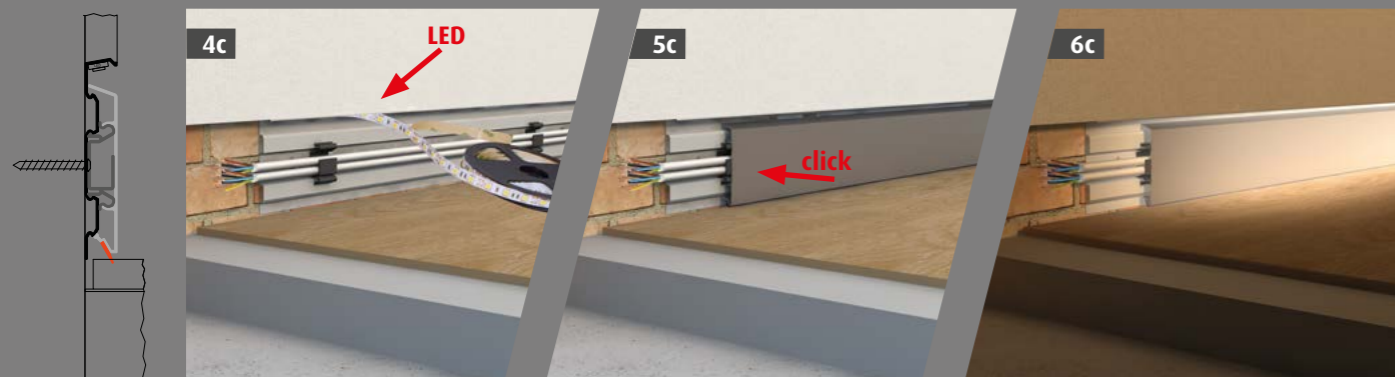
✂ Installation with floor



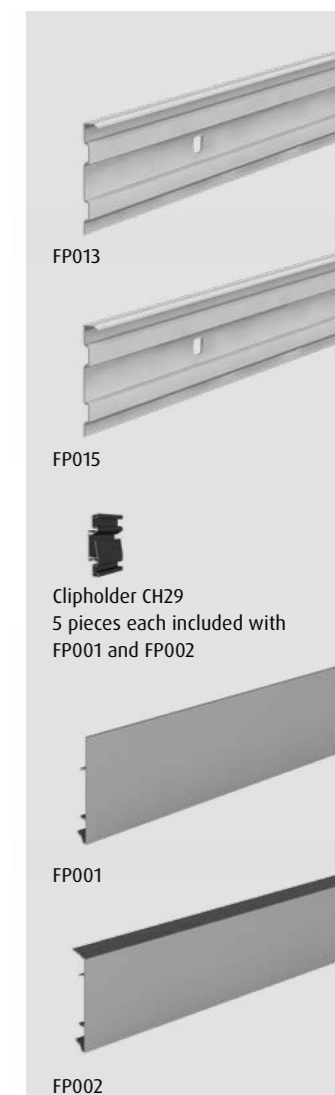
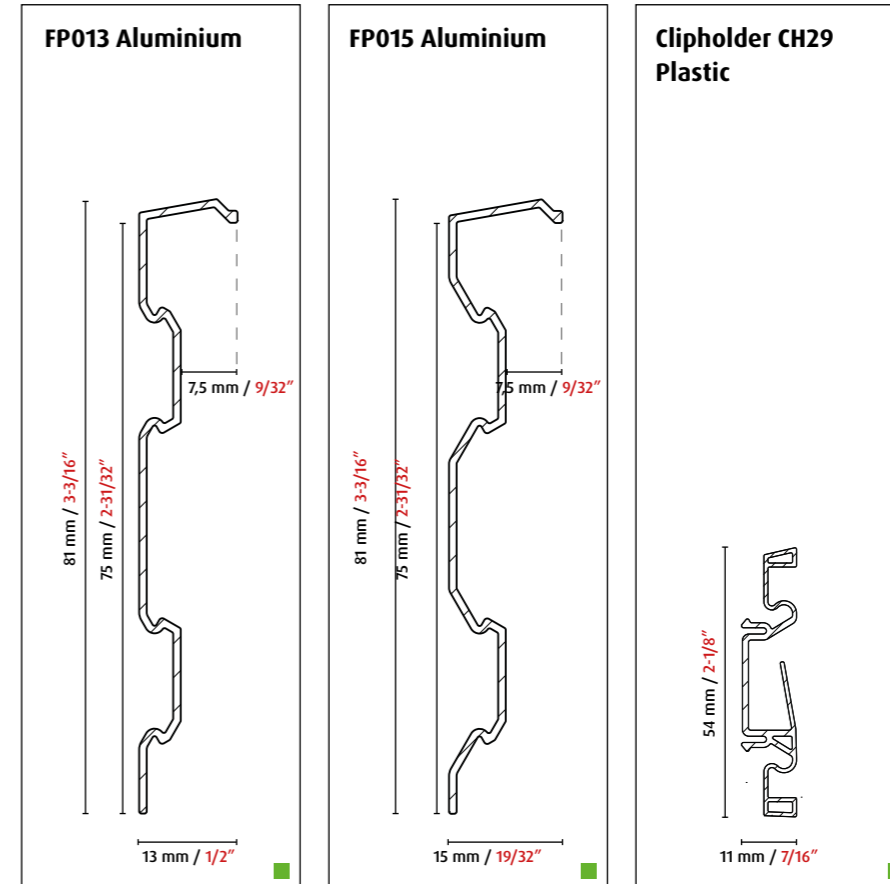
✂ Installation with FP001



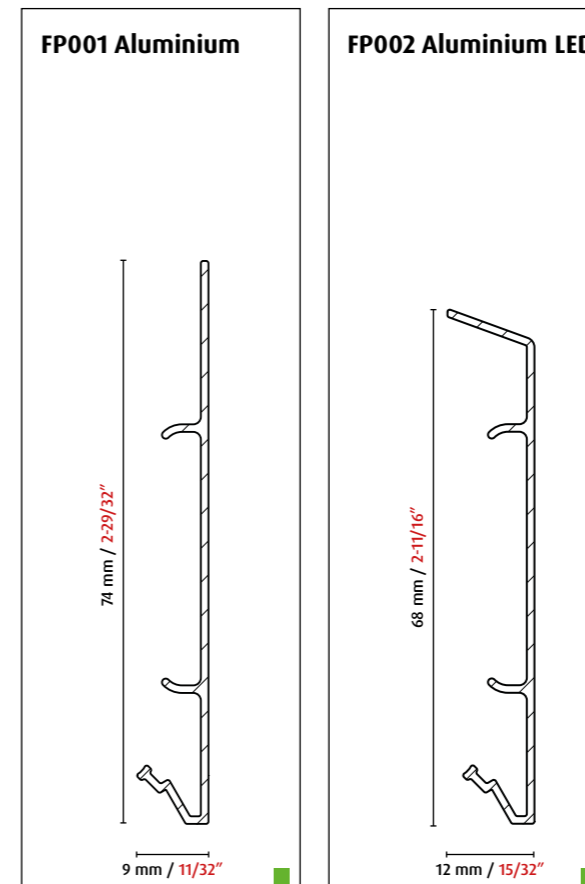
✂ Installation with LED and FP002



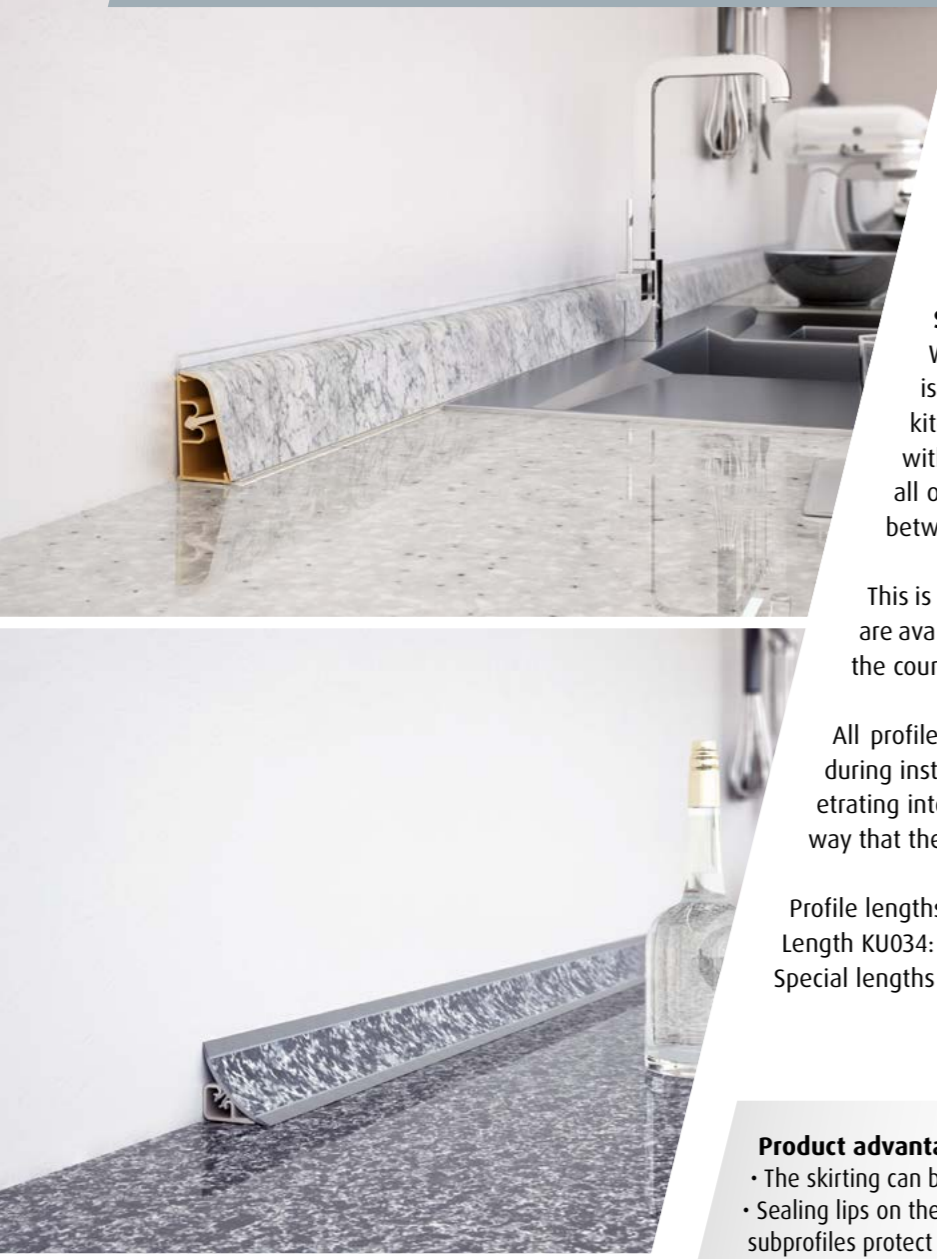
Basic rails



Covers



See installation video



WAP-Profiles

Skirting boards for kitchen worktops.

We know wood, so we understand that "where there is planing, there are shavings". The same goes for the kitchen. Cooking means steam, fat splatters, people clean with strong chemicals, leaks and spills happen. To prevent all of this from running down behind the counter, the joint between the wall and the worktop must be covered.

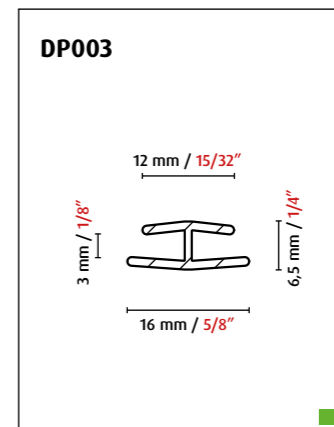
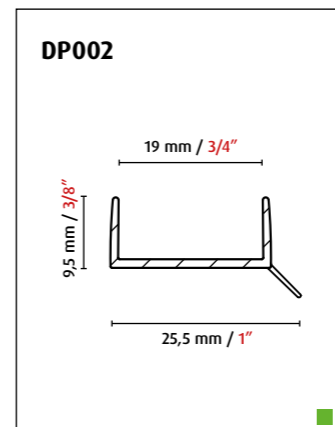
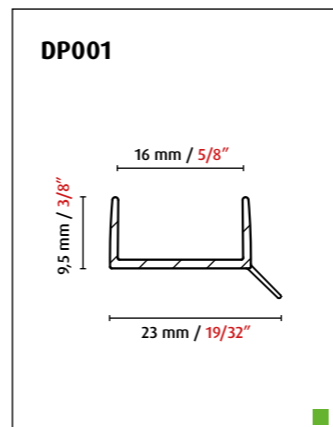
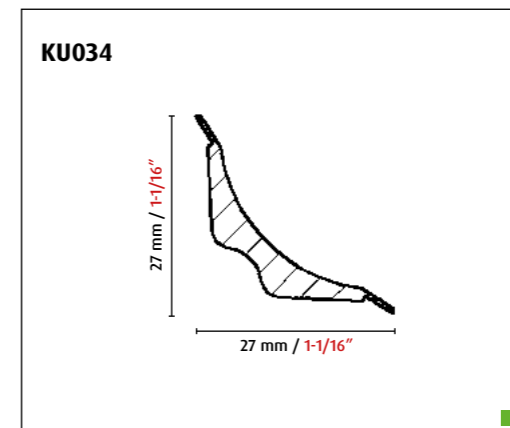
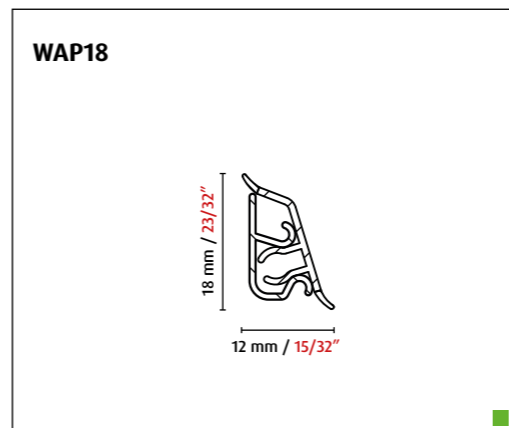
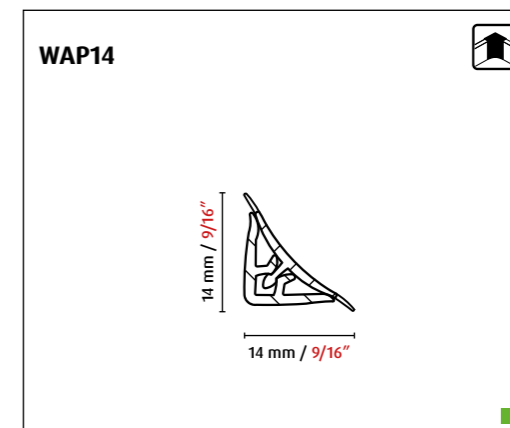
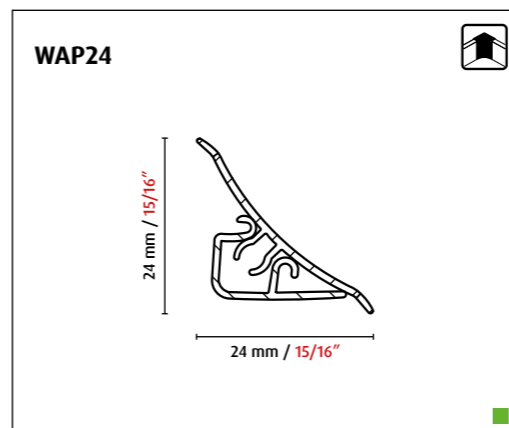
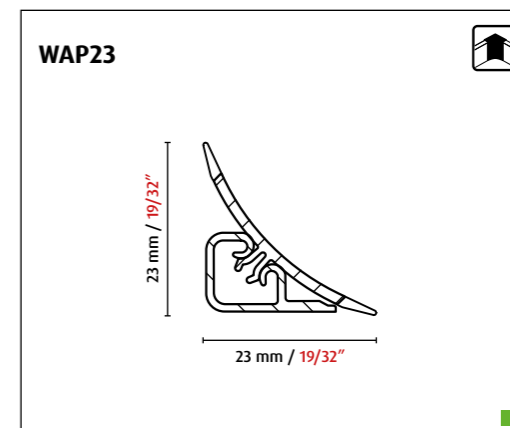
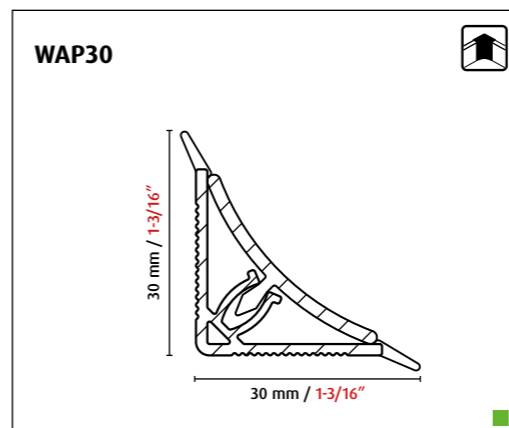
This is the job of our "WAPs", or wall connection profiles. These are available in different sizes and designs that perfectly match the counter top.

All profiles have sealing lips that press firmly against the wall during installation and prevent grease, moisture or dirt from penetrating into the joint behind. The surfaces are equipped in such a way that they can be easily cleaned and are as durable as possible.

Profile lengths: 3000 mm / 9,84 ft. and 590 mm / 1,94 ft.
 Length KU034: 2400 mm / 7,87 ft.
 Special lengths available on request

Product advantages:

- The skirting can be matched to the countertop.
- Sealing lips on the profiles or the subprofiles protect against moisture.
- Simple clip profiles with covered fastening.
- The product range also includes end sealing strips for plinth panels.



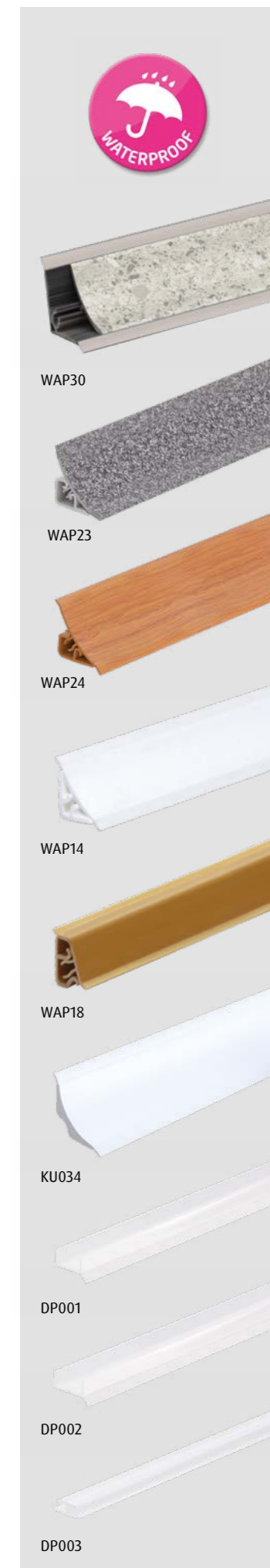
Accessories WAP 37



Accessories WAP 23 and WAP 24



Available: in stock Available: fast Available: normal Available: on request





FN silco-flex

The true art of sealing.

Anyone who has tried to create an attractive and uniform silicone joint with a caulking without getting residue all over their fingers and the wall knows how hard it is. Proper application is an art. But the real art is to have a profile that saves you all the silicone mess. A profile that looks like the perfect silicone joint but has the advantage of being easy to install without ever having to worry about it again.

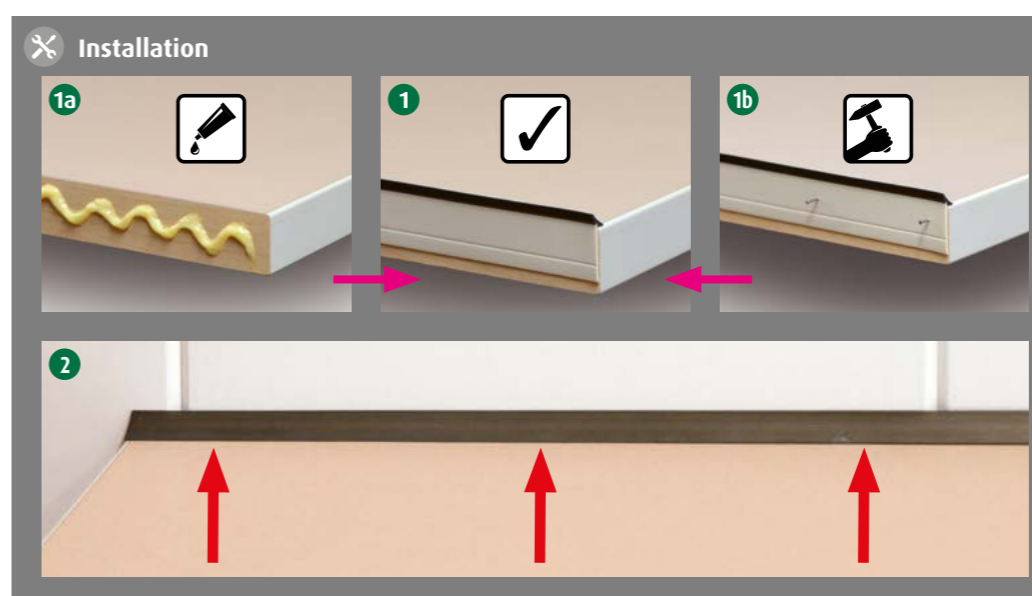
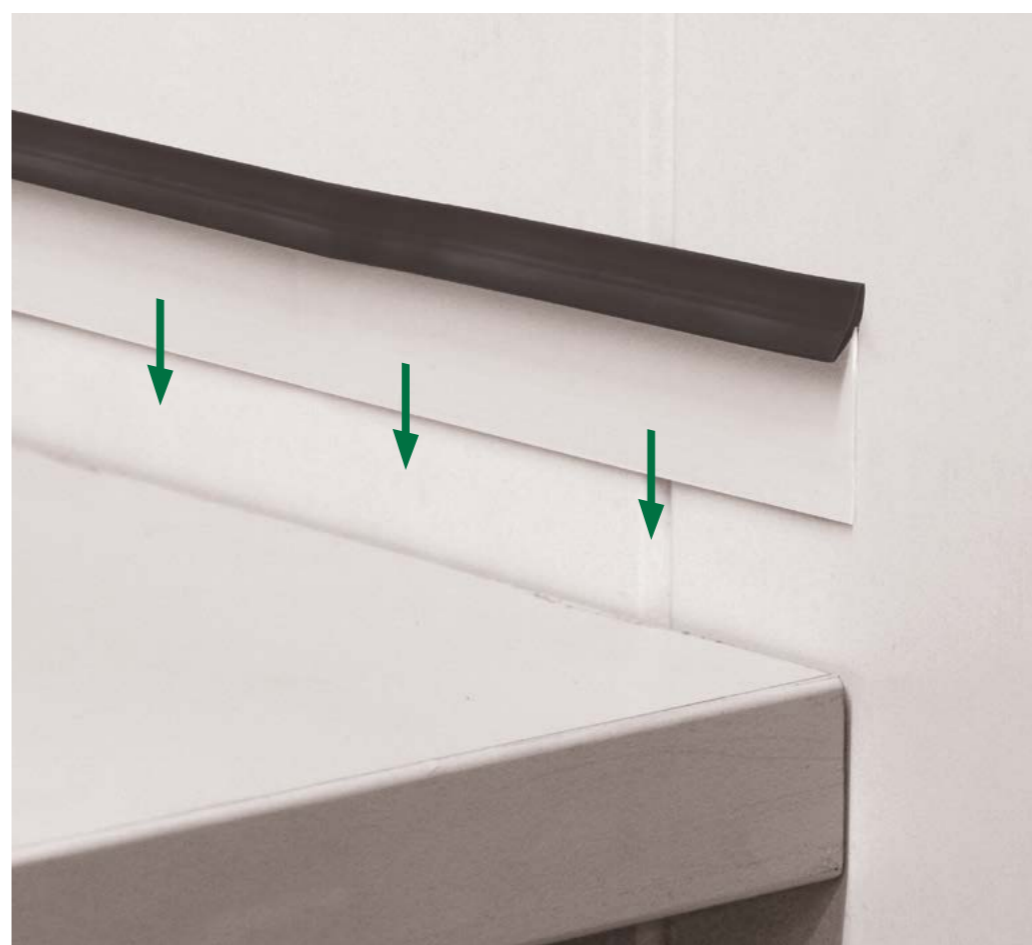
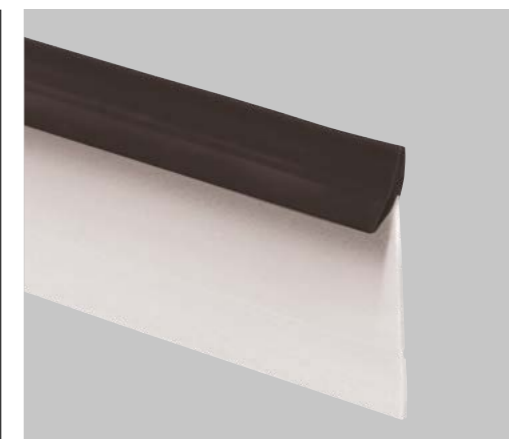
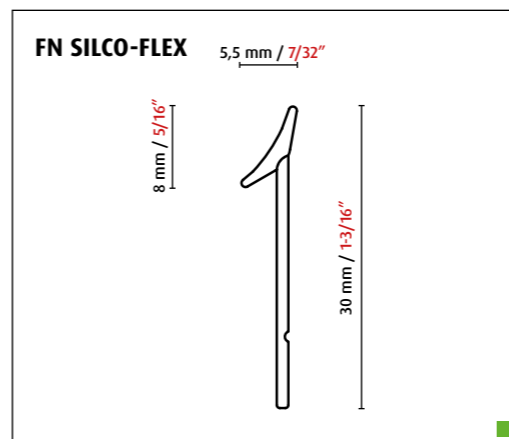
A true seal is beyond reproach, it is genuine and objectively good.

Product advantages:

- Flexible and serves as a sealing lip.
- Small, fine and flexible worktop strip.
- Easily installed on the back of the countertop, furniture panel, etc. (nails or adhesive).
- Can also be used in the toilet, but ideally in combination with a silicon seal.
- No discolouration over time, as sometimes happens with silicone, therefore very low-maintenance.
- Numerous colours available.
- More dimensionally stable than silicone.

Length: 4.20 m / 13,8 ft.

Packaging: Cardboard box, rolled up, 10 cardboard boxes = 1 PU



See installation video

Discover our wider range

FN FOILED PROFILES

Foiled mouldings are usually laid to laminate flooring. The reason is obvious: the same materials react in the same way to light and moisture. A wide range of shapes and decors leave almost nothing to be desired, especially when it comes to matching the decor of the skirting to the floor. In-house digital printing makes it possible!



FN VENEERED PROFILES

A skirting board provides the perfect finish between the floor and the wall. The necessary expansion joint is stylishly and elegantly concealed and the profile, ideally in the same décor as the floor, completes the room. Veneered profiles are usually laid with parquet floors. The reason is obvious: the same materials react in the same way to light and moisture.



FN WHITE PROFILES

White skirting boards are modern, elegant, stylish and very much in fashion. We offer an extensive variety of different materials and surfaces as well as shades of white. The following pages provide an overview of this product range. Find the perfect version for your market.



FN FUNCTIONAL AND WATERPROOF PROFILES

If the standard no longer fits or special challenges need to be overcome, FN Neuhofer offers a selection of special solutions for a wide range of applications. And for LVT or waterproof floors, there are matching waterproof skirting boards, decorated to match the floor or simply in white.



FN SOLID WOOD PROFILES

Wood in its most natural form, cut and planed, raw or varnished, sustainable and destined to last forever: these are our solid wood profiles, made from hardwood or softwood. Real, natural and grounded. Whether you need a resilient skirting board, wood for crafts for everyone and everywhere in the house, or old wood for a one-of-a-kind ambience.



FN FLOOR ACCESSORIES

Clips, corners and numerous other accessories are indispensable for quick and easy moulding installation. The mouldings are all provided with functional grooves into which various clips, fixing rails or holders for corner pieces can be inserted. The aim is always the same: to make installation as easy and uncomplicated as possible for the customer.



FN FLOORING PROFILES

When installing flooring, each room is usually laid as a separate area. During this process, an expansion joint should be planned under every door. And if the floor areas become too large, they should also be separated by expansion joints. If there are different coverings in the individual rooms, such as tiles, laminate flooring, parquet flooring or LVT flooring with different floor heights, it is essential to cover the joints that are created as a result.

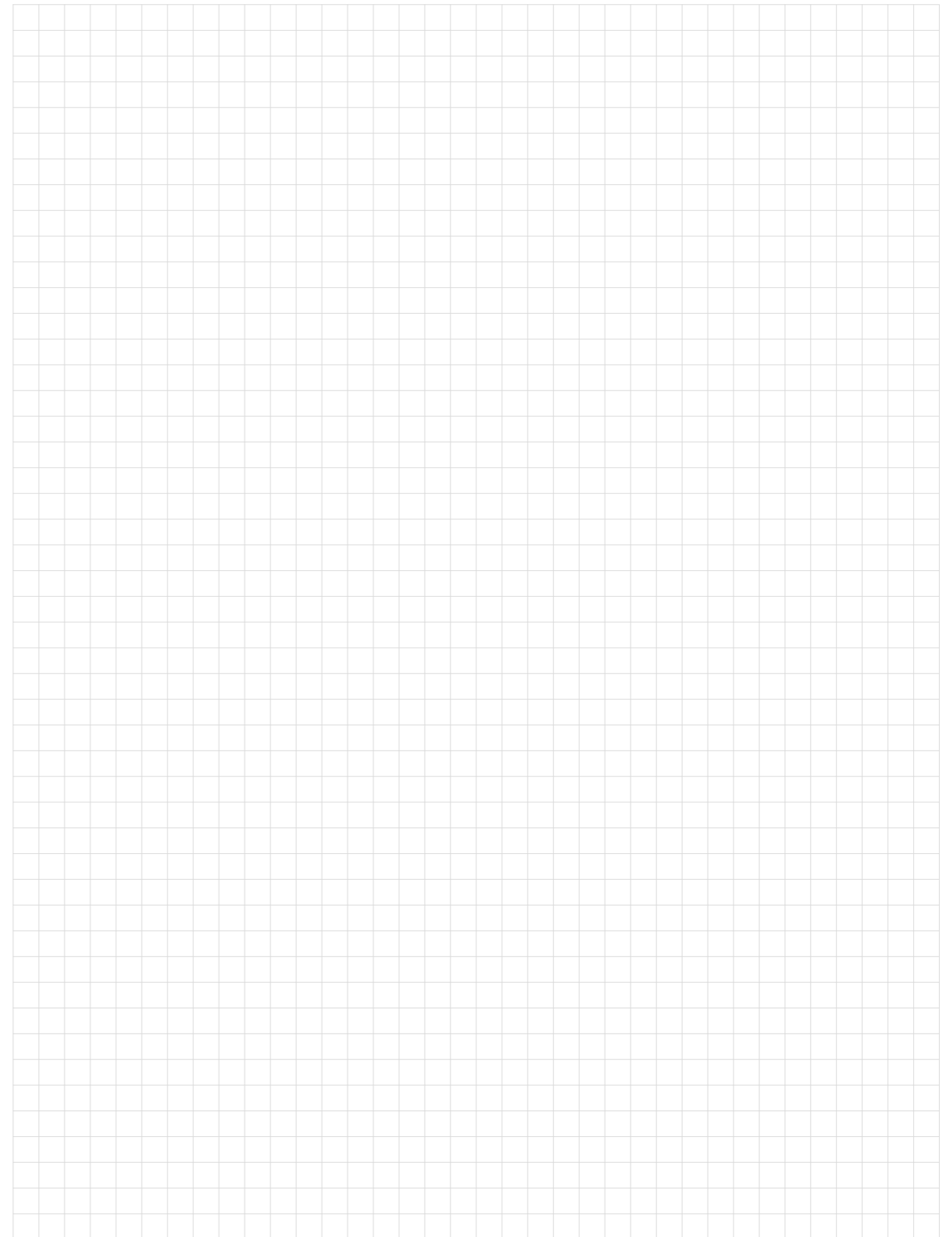
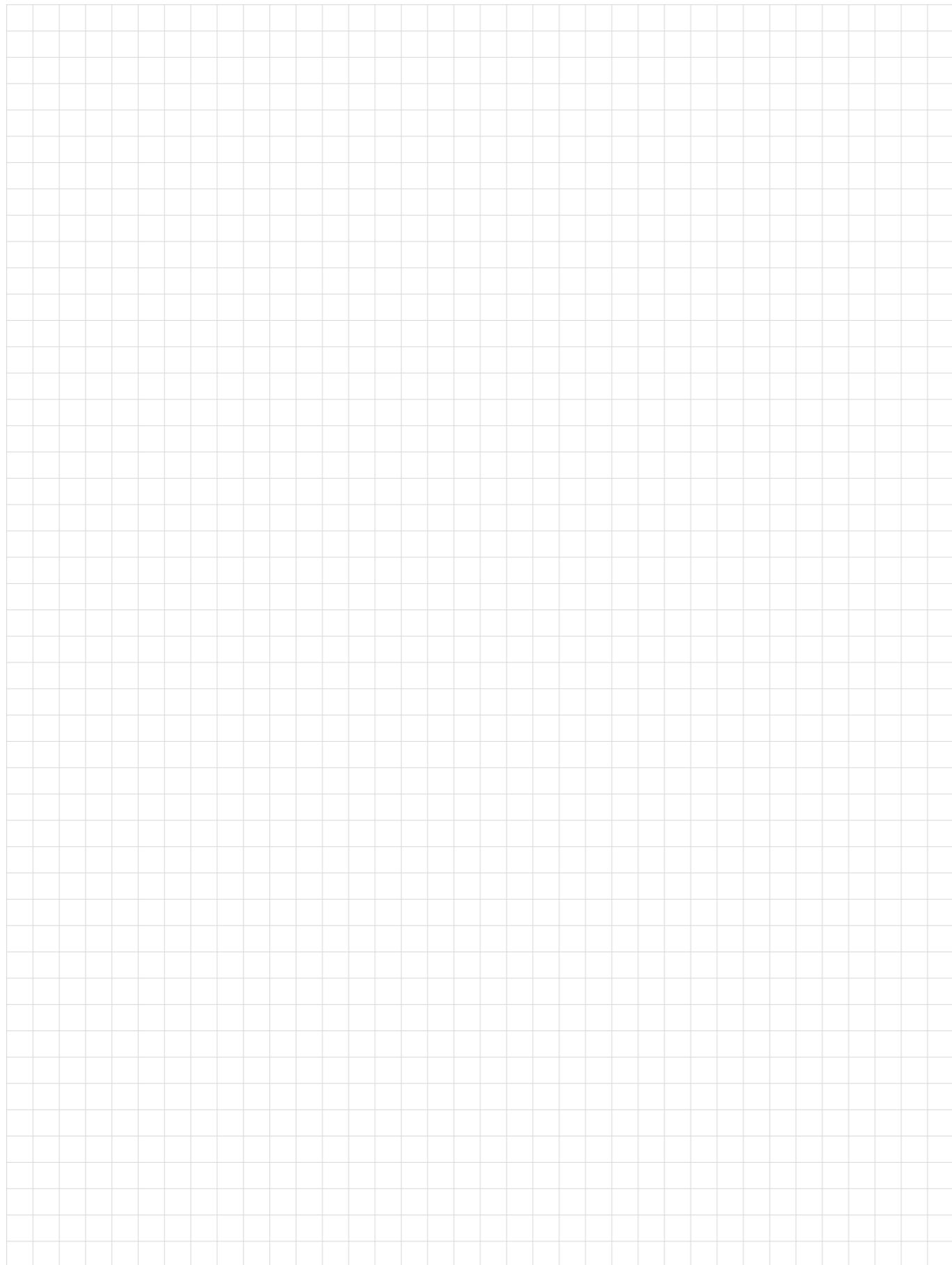


FN LIVING

Modern wall design with additional benefits is important in today's fast-paced and noisy world. Acoustic panels create peace and quiet in your own home, while various wall paneling systems enhance the room and create a cosy ambience. And the DIY concept is not neglected either. You can fill, glue, paint and realise your own creativity.



Notizen





All dimensions and performance of the products stated in the product catalogue are to be regarded as approximate. The stated dimensions and performance of the products are non-binding; this applies in particular to their quality, colour and design (grain, surface, etc.). Furthermore, we expressly reserve the right to make any deviations from the products shown in the product catalogue; the offer and order confirmation are exclusively authoritative, based on the General Terms and Conditions (see <https://www.fnprofile.com/de/verkaufs-und-lieferbedingungen-01-01-2022.html>). The customer can therefore derive no rights - of any kind whatsoever - from pictorial representations and/or specified dimensions and services in accordance with this product catalogue.

Printing and typesetting errors and mistakes excepted. 01/25

NEUHOFER HOLZ GMBH
 A-4893 Zell am Moos, Haslau 56, Tel.: +43 (0)6234/8500-0,
office@fnprofile.com, www.fnprofile.com



Here you can find our social media channels



The mark of responsible forestry