

SOLID WOOD PROFILES



NEUHOFER

WE. KNOW. WOW!



Solid wood profiles

Wood in its most natural form, cut and planed, raw or varnished, sustainable and destined to last forever: these are our solid wood profiles, made from hardwood or softwood. Real, natural and grounded. Whether you need a resilient skirting board, wood for crafts for everyone and everywhere in the house, or old wood for a one-of-a-kind ambience.

Processing instructions

Masking tape on skirting boards.

Veneered and foiled skirting boards may only be covered with commercially available masking tape (see the following image as an example)

The masking tape must be removed after 16 hours at the latest!

All other types of adhesive tapes, such as packaging tapes, transparent adhesive tapes, brown adhesive tapes, fabric tapes (grey and others) are NOT suitable for foiled and veneered skirting boards.

Adhesives and skirting boards.

No silicone-containing adhesives may be used to attach foiled or veneered skirting boards to the wall, as the foil or veneer can detach if the compounds penetrate the wood or MDF. A corresponding note can be found on the back of veneered profiles (see picture).

Installation of skirting boards.

In general, we recommend our clip system CH23 or the rail klik-fix 23 for installation. The profiles and matching accessories are designed for this.

Of course, the profiles can also be glued in place (note: see note on adhesives), nailed or screwed.

Mitre joint.

When mitre cutting, it is advisable to insert a clip into the profile before cutting to simulate the correct distance to the wall. With some profiles, this is the only way to achieve an optimal result on the mitre.

The FN easy-cut mitre box offers a practical aid here, as it has the matching height and an attachment device for the profile.

When cutting the skirting, make sure that you always see the décor side, or that you are cutting into the décor, so to speak. Otherwise there may be tears on the décor side.

Wood and water.

Since most profiles are made of wood or wood-based materials, store the profiles in the intended installation room for at least 48 hours. This allows the wood to adapt to the environmental conditions (humidity, temperature) and avoids problems with swelling or shrinking after installation.

Profiles with an MDF core may only be cleaned dry, as the profile can swell if moisture penetrates.

When using profiles in areas where increased moisture can occur (including damp mopping of the floor), it is advisable to use profiles with a plastic or spruce core.





Guide to symbols

To make it easier for you to navigate through the catalogue, we have marked all products with coloured dots. These dots provide you with information on the availability and delivery time of the items in question.

We are pleased to make it easier for you to find the right item – another important step towards providing perfect service.

Green dot >>>> quickly available:

Stock items - exact details of the items in stock (decors), as well as delivery quantities and delivery times you will receive from our sales staff at the sales department.

Blue dot >>>> order-related quickly:

Articles whose BOM components are all in stock and "only" have to be assembled into a finished product get a blue dot.

Yellow dot >>>> order-related:

Articles with this marking are FN standard items, which are made to order and are bound to a defined minimum quantity and delivery times. Raw materials still have to be purchased.

Red dot: >>>> on request:

These are special items that can be manufactured on request. Raw materials, production times still have to be requested.



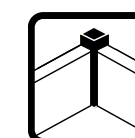
Clipholder CH23



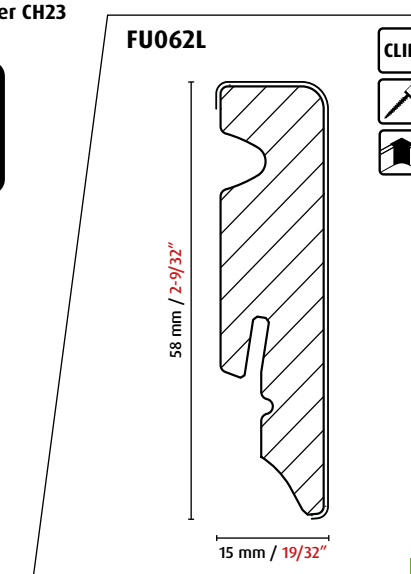
nailofix CH28



Plastic corners



Corner sticks



Example

Ways of packaging



Bundle wrapped 3x.

This is the minimum standard for packaging, as it is the only way to ensure sufficient stability. The profiles are laid face-to-face, so the surface is optimally protected. The profiles are bundled in groups of 10 and tightly wrapped with stretch film at both ends and in the middle.



Wrapped open.

This is a continuous wrap with stretch film around the bundle of profiles (again bundled into 10 units) with spaced loops



Fully wrapped.

The bundle (10 profiles) is completely wrapped in stretch film, only the front sides remain open.



Combo pack with fastening system.

Here, the individual profile, including the fastening system and the fastening material, is shrink-wrapped in foil and again provided with a four-colour label.



Combi-pack without fastening system.

Each profile is shrink-wrapped in foil and provided with a four-colour label with pictures and assembly instructions (without the fastening system).



Standard pallet.



Shrink wrapping.

Here the profiles (10 unit bundles) are wrapped at both ends and in the middle and then completely shrink-wrapped in film including the two front sides. This packaging method offers the highest moisture protection.



Tube packing.

With this type of packaging, the profiles are placed individually in a cardboard tube and closed end-to-end with a lid. This protects the contents from damage. An ideal option, e.g. for sending individual profiles.



Carton packaging.

10 profiles are loosely packed in a carton. This packaging guarantees protection from light.

Solid wood profiles Hardwood



<p>S0241</p>	<p>S0240</p>	<p>S0260</p>
<p>S0009</p>	<p>S0006</p>	<p>HKL29</p>
<p>S0300</p>	<p>S0301</p>	<p>S0011</p>
<p>S0010</p>	<p>S0010 with insulating strips</p>	<p>S0180</p>

<p>S0030</p>	<p>S0351</p>	<p>S0019L CLIP</p>
<p>S0401</p>	<p>S0402</p>	<p>S0002</p>
<p>S0451</p>	<p>S0001</p>	<p>S0588</p>



Solid wood profiles

Hardwood



S0583

S0582

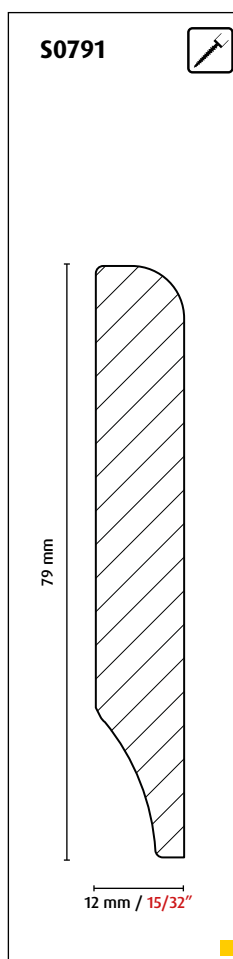
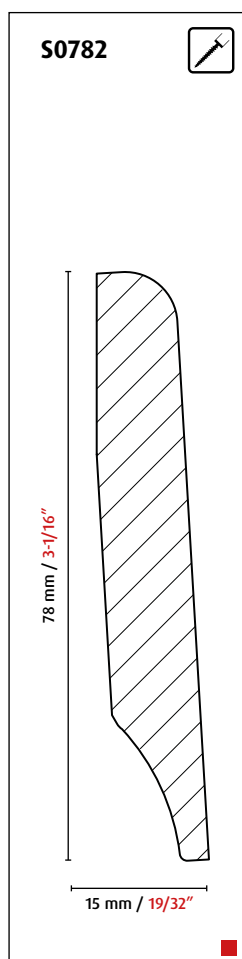
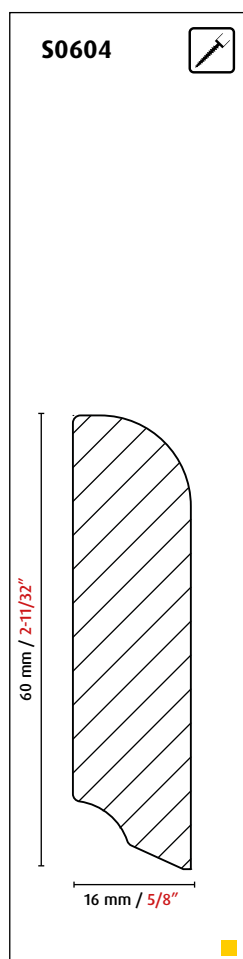
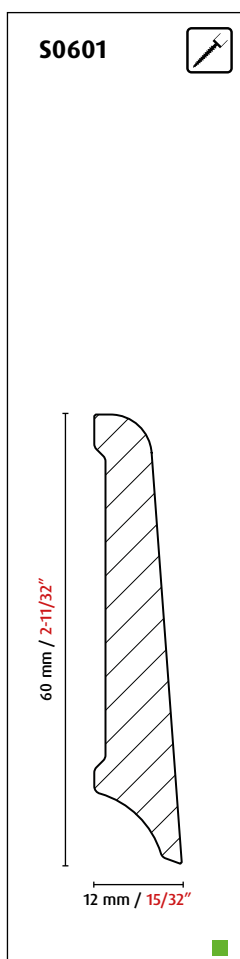
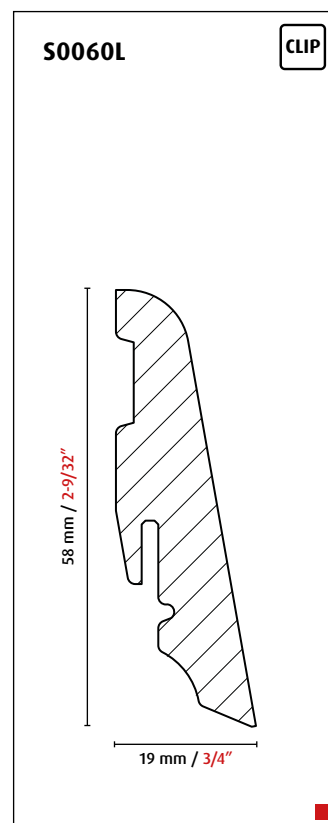
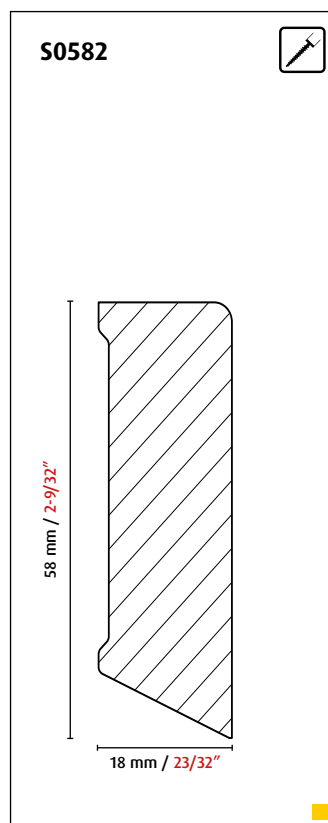
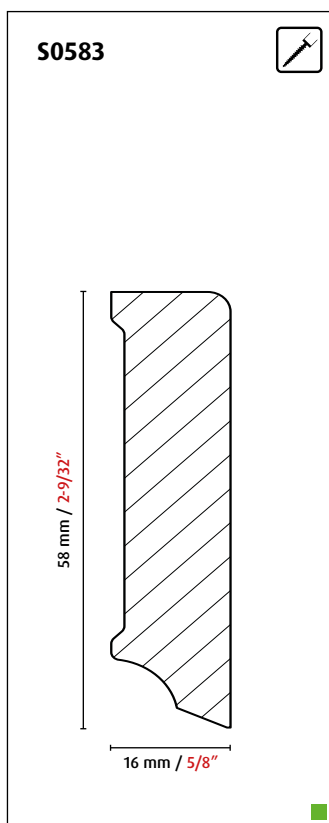
S0060L

S0601

S0604

S0782

S0791



Wood is always alive - it grows, works and ages

Solid wood profiles Spruce / pine



S0360 knotty 17 mm / 2-1/32" 36 mm / 1-13/32"	S0452 knotty 45 mm / 1-25/32" 19,5 mm / 25/32"	S0584 knot-free 58 mm / 2-9/32" 19 mm / 25/32"	
S0585 knot-free 58 mm / 2-9/32" 10 mm / 13/32"	S0586 knotty 58 mm / 2-9/32" 10 mm / 13/32"	S0587 knotty 58 mm / 2-9/32" 10,5 mm / 13/32"	S0603 knotty 60 mm / 2-3/8" 13 mm / 1/2"
S0701 knotty 70 mm 10 mm / 13/32"	S0702 knotty 70 mm 13 mm / 1/2"	S07030C knotty 70 mm 18 mm / 23/32"	S0703L knot-free 70 mm 18 mm / 23/32"

S0961 knotty 96 mm / 3-25/32" 18 mm / 23/32"	S0950 knotty 95 mm / 3-3/4" 18 mm / 23/32"	S0710 knotty 71 mm / 2-13/16" 19 mm / 3/4"
S0960 knot-free 96 mm / 3-25/32" 19 mm / 3/4"	S1150 knot-free 115 mm / 4-17/32" 19 mm / 3/4"	S1200 knotty 120 mm / 4-23/32" 18 mm / 23/32"



Solid wood profiles



Bead beech grooved:
 6 mm / 1/4"
 8 mm / 5/16"
 10 mm / 13/32"
 12 mm / 15/32"
 14 mm / 9/16"
 16 mm / 5/8"
 18 mm / 23/32", 20 mm / 25/32"

Half-round bead beech planed:
 20 mm / 25/32"
 30 mm / 1-3/16"

Doorsill beech/oak

20 mm / 25/32"
 60/80/100/150 mm / 2-3/8" / 1-5/32" / 3-15/16" / 5-29/32"

S0290

11 mm / 7/16"
 29 mm / 1-5/32"

Dimensions of frame wood:
 19/38 mm / 3/4" / 1-1/2", 19/47 mm / 3/4" / 1-1/2" / 1-27/32",
 24/44 mm / 15/16" / 1-23/32", 27/46 mm / 1-1/16" / 1-13/16",
 27/95 mm / 1-1/16" / 3-3/4", 34/53 mm / 1-11/32" / 2-3/32",
 38/38 mm / 1-1/2" / 1-1/2", 40/145 mm / 1-9/16" / 5-23/32",
 45/45 mm / 1-25/32" / 1-25/32", 45/70 mm / 1-25/32" / 2-3/4",
 45/95 mm / 1-25/32" / 3-3/4", 58/58 mm / 2-9/32" / 2-9/32",
 68/68 mm / 2-11/16" / 2-11/16"

53 mm / 2-3/32"
 34 mm / 1-11/32"

Bead beech planed:
 3 mm / 1/8"
 4 mm / 5/32"
 5 mm / 3/16"
 6 mm / 1/4"
 8 mm / 5/16"
 10 mm / 13/32"
 12 mm / 15/32"
 14 mm / 9/16"
 15 mm / 19/32"
 16 mm / 5/8"
 18 mm / 11/16"
 20 mm / 25/32"
 22 mm / 7/8"
 24 mm / 15/16"
 25 mm / 1"

ø 20 mm / 25/32"

Flat profile beech:
 3/16 mm / 1/8" / 5/8", 3/19 mm / 1/8" / 3/4", 3/23 mm / 1/8" / 29/32", 3/25 mm / 1/8" / 1", 3/29 mm / 1/8" / 1-1/8",
 3/30 mm / 1/8" / 1-3/16", 5/13 mm / 3/16" / 1/2", 5/15 mm / 3/16" / 19/32", 5/20 mm / 3/16" / 25/32", 5/29 mm / 3/16" / 1-1/8",
 5/30 mm / 3/16" / 1-3/16", 5/40 mm / 3/16" / 1-9/16", 8/8 mm / 5/16" / 5/16", 8/13 mm / 5/16" / 1/2", 8/15 mm / 5/16" / 19/32",
 8/23 mm / 5/16" / 29/32", 8/35 mm / 5/16" / 1-11/32", 8/45 mm / 5/16" / 1-25/32", 10/10 mm / 13/32" / 13/32", 10/20 mm / 13/32" / 25/32", 10/29 mm / 13/32" / 1-1/8", 10/30 mm / 13/32" / 1-3/16", 10/40 mm / 13/32" / 1-9/16", 10/60 mm / 13/32" / 2-3/8",
 12/12 mm / 15/32" / 15/32", 13/13 mm / 1/2" / 1/2", 13/20 mm / 1/2" / 25/32", 13/29 mm / 1/2" / 1-1/8", 15/15 mm / 19/32" / 19/32",
 15/20 mm / 19/32" / 25/32", 15/30 mm / 19/32" / 1-3/16", 20/20 mm / 25/32" / 25/32", 20/29 mm / 25/32" / 1-1/8", 20/40 mm / 25/32" / 1-9/16", 20/60 mm / 25/32" / 2-3/8", 20/96 mm / 25/32" / 3-25/32", 23/23 mm / 29/32" / 29/32", 25/25 mm / 1" / 1", 29/29 mm / 1-1/8" / 1-1/8", 29/40 mm / 1-1/8" / 1-9/16", 29/47 mm / 1-1/8" / 1-27/32", 29/60 mm / 1-1/8" / 2-3/8", 30/30 mm / 1-3/16" / 1-3/16",
 35/35 mm / 1-11/32" / 1-11/32", 40/40 mm / 1-9/16" / 1-9/16", 47/47 mm / 1-27/32" / 1-27/32", 50/50 mm / 2" / 2"

10 mm / 13/32"
 30 mm / 1-3/16"

Dimensions of G0001:
 15/22 mm 19/32 x 7/8" with
 17 mm 21/32" fold

22 mm / 7/8"
 17 mm / 21/32"
 15 mm / 19/32"

Dimensions of G0006:
 19/24 mm 3/4 x 15/16" with
 17 mm 21/32" fold
 19/28 mm 3/4 x 1-3/32" with
 20 mm 25/32" fold
 19/31 mm 3/4 x 1-7/32" with
 23 mm 29/32" fold
 19/32 mm 3/4 x 1-1/4" with
 25 mm 1" fold

24 mm / 15/16"
 17 mm / 21/32"
 19 mm / 3/4"

Profile lengths knotless spruce/pine: 100cm / 3,3 ft., 240cm / 7,9 ft.
 Profile lengths beech: 95cm / 3,1 ft., 100cm / 3,3 ft. (round bars), 190cm / 6,2 ft., 210cm / 3,9 ft.

GES07

20 mm / 25/32"
 20 mm / 25/32"

GES08

20 mm / 25/32"
 37 mm / 1-7/16"

GES06

25 mm / 1"
 25 mm / 1"

GES01

37 mm / 1-7/16"
 37 mm / 1-7/16"

Dimensions of wallpaper profile:
 4/19 mm / 5/32" / 3/4",
 4/23 mm / 5/32" / 29/32",
 4/29 mm / 5/32" / 1-1/8",
 4/40 mm / 5/32" / 1-9/16"

5 mm
 25 mm

Dimensions of quarter round:
 7/7 mm / 9/32" / 9/32",
 9/9 mm / 11/32" / 11/32",
 12/12 mm / 15/32" / 15/32",
 14/14 mm / 9/16" / 9/16",
 18/18 mm / 11/16" / 11/16",
 22/22 mm / 7/8" / 7/8",
 27/27 mm / 1-1/16" / 1-1/16"

15 mm / 19/32"
 15 mm / 19/32"

Dimensions of half-round bead:
 10 mm / 13/32"
 15 mm / 19/32"
 20 mm / 25/32"
 25 mm / 1"
 28 mm / 1-3/32"
 30 mm / 1-3/16"

20 mm / 25/32"

Dimensions of bead:
 5 mm / 3/16", 8 mm / 5/16",
 10 mm / 13/32", 12 mm / 15/32",
 13 mm / 1/2", 19 mm / 3/4",
 22 mm / 7/8", 28 mm / 1-3/32",
 35 mm / 1-11/32", 40 mm / 1-9/16",
 47 mm / 1-27/32"

ø 20 mm / 25/32"

Dimensions of flat profile:
 from 3/5 mm / 1/8" / 3/16" to
 45/45 mm / 1-25/32" / 1-25/32"

10 mm / 13/32"
 30 mm / 1-3/16"

Dimensions of three-edged profile:
 8/19 mm / 5/16" / 3/4",
 14/14 mm / 9/16" / 9/16",
 18/18 mm / 11/16" / 11/16",
 22/22 mm / 7/8" / 7/8",
 30/30 mm / 1-3/16" / 1-3/16"

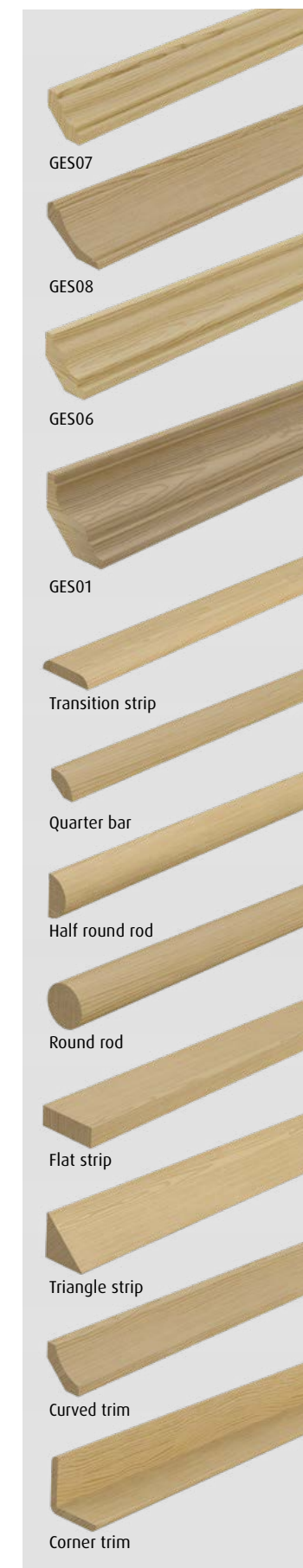
14 / 9/16"
 14 / 9/16"

Dimensions scotia profile:
 14/14 mm / 9/16" / 9/16",
 20/20 mm / 25/32" / 25/32",
 24/24 mm / 15/16" / 15/16",
 29/29 mm / 1-1/8" / 1-1/8",
 34/34 mm / 1-11/32" / 1-11/32"

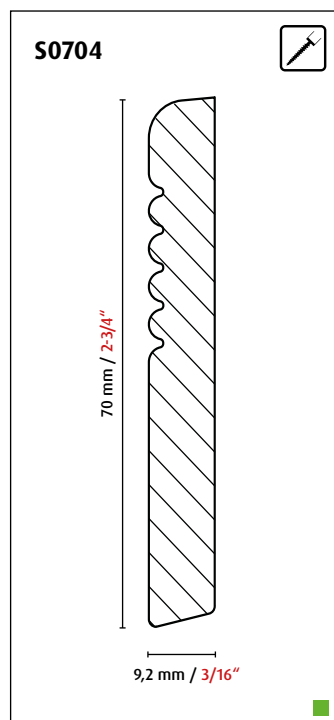
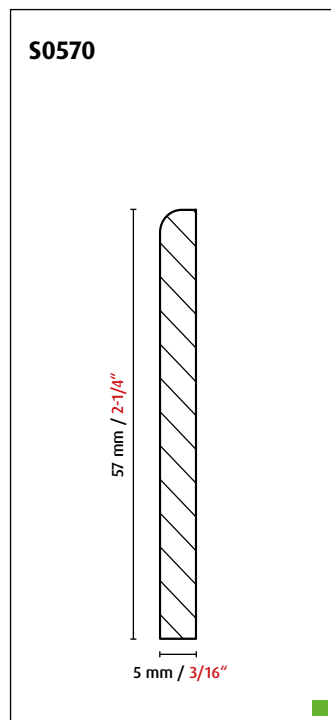
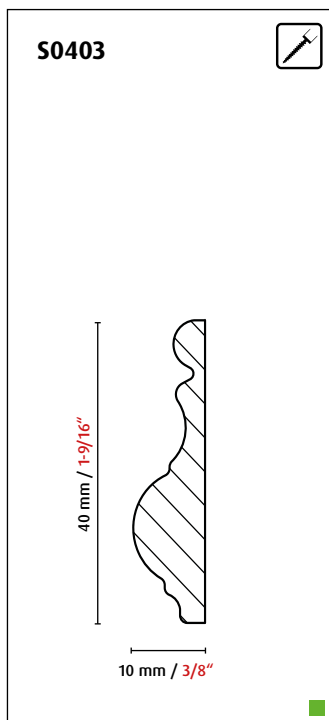
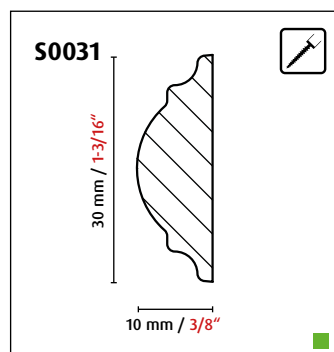
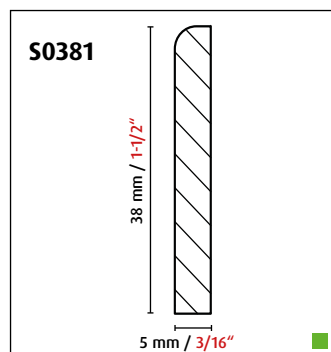
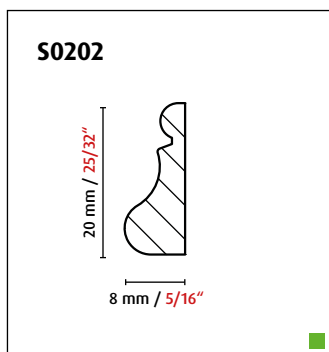
20 mm / 25/32"
 20 mm / 25/32"

Dimensions L-shaped profile:
 10/10 mm / 13/32" / 13/32", 15/15 mm / 19/32" / 19/32",
 15/45 mm / 19/32" / 1-25/32", 18/18 mm / 11/16" / 11/16",
 19/33 mm / 3/4" / 1-5/16", 21/42 mm / 13/16" / 1-21/32",
 22/22 mm / 7/8" / 7/8", 28/28 mm / 1-3/32" / 1-3/32",
 28/44 mm / 1-3/32" / 1-23/32", 30/50 mm / 1-3/16" / 2",
 35/35 mm / 1-11/32" / 1-11/32", 40/40 mm / 1-9/16" / 1-9/16",
 50/50 mm / 2" / 2"

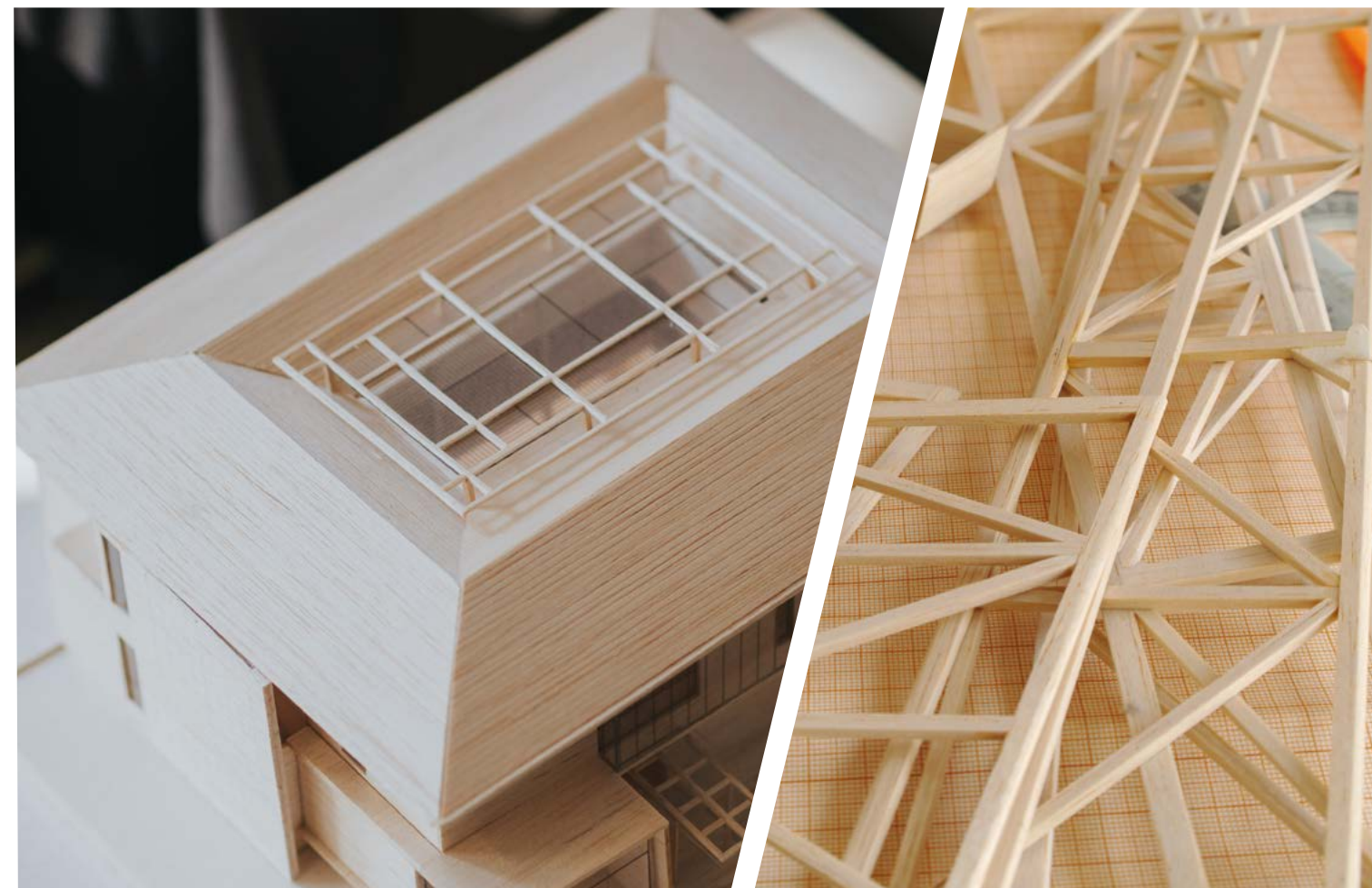
28 mm / 1-3/32"
 28 mm / 1-3/32"



Solid wood profiles in spruce/pine



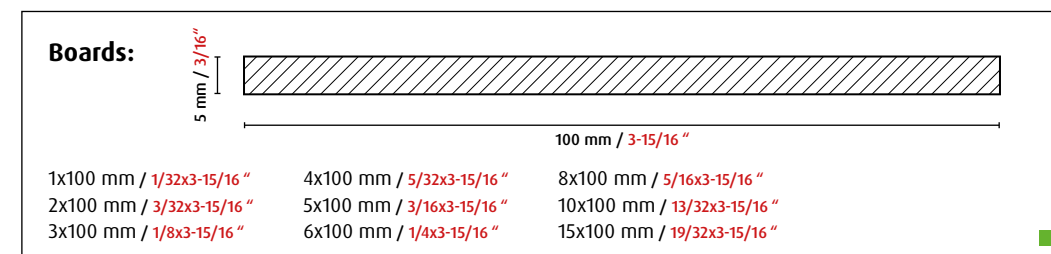
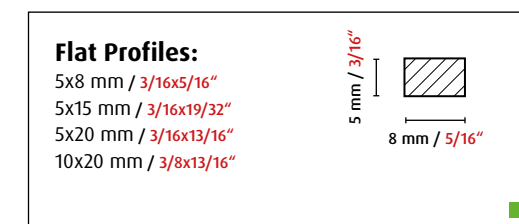
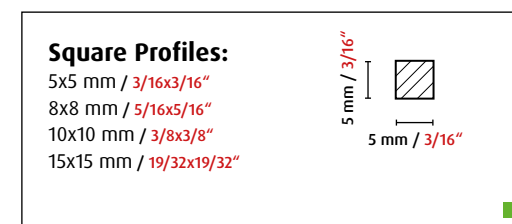
Balsa profiles



Ideal for handicrafts.

Balsa wood is characterised by its extreme light weight. The wood is mainly used for making models and has a density of 100 - 200 kg/m³, i.e. only about a third of the weight of spruce. This makes it an ideal basic component for the construction of aircraft models, but also ships.

FSC certified balsa wood from sustainably used forests is available. Alternatively, balsa from South East Asia can be offered with FLEGT.





Craft wood

Makes children's eyes shine.

Turning wood, wooden balls, and wooden wheels in different dimensions made of European beech wood are perfectly suited to make children happy when doing handicrafts together.

Product range:

- Round turning wood with a diameter of 45 / 1-25/32", 50 / 1-31/32" or 60 mm / 2-3/8" and a length of 240 mm / 9-7/16".
- Half-drilled wooden balls with a diameter of 25mm / 1".
- Wooden balls, undrilled, with a diameter of 35 / 1-3/8", 40 / 1-9/16", 50 / 1-31/32", 60 / 2-3/8", 80 / 3-3/8" and 100 mm / 3-15/16".
- Wooden wheels with diameters of 40 / 1-9/16", 60 / 2-3/8", 80 / 3-3/8" and 100 mm / 3-15/16".



Solid wood profiles in larch



Durable and beautiful.

Larch is characterised by a number of special features compared to other softwoods, e.g. spruce, fir or pine. When it comes to the outside, the larch is the only conifer that loses its needles in autumn. However, it has its special properties on the inside.

This includes durability and resistance to weathering, which is particularly important for do-

mestic types of wood, making it ideal for outdoor use. It is also has an unusual colour, a light shade of red or brown, and a pleasant, slightly resinous smell - which makes it suitable for indoor use, as well.

That's why we've put together an assortment of larch profiles, with something for everyone.

Assortment:

The assortment is made up of square- and flat profiles and L-shaped profiles as following, in the lengths of 100 and 200 cm / 3,28 and 6,56 ft.

flat profile, larch raw, 4,5 x 18,7 mm / 3/16 x 23/32"	flat profile, larch raw, 4,5 x 22 mm / 3/16 x 27/32"
flat profile, larch raw, 4,5 x 28 mm / 3/16 x 1-3/32"	flat profile, larch raw, 4,5 x 39,5 mm / 3/16 x 1-9/16"
flat profile, larch raw, 4,5 x 46 mm / 3/16 x 1-13/16"	flat profile, larch raw, 4,5 x 56 mm / 3/16 x 2-3/16"
flat profile, larch raw, 9,2 x 9,2 mm / 3/8 x 3/8"	flat profile, larch raw, 9,2 x 12,5 mm / 3/8 x 1/2"
flat profile, larch raw, 9,2 x 18,7 mm / 3/8 x 23/32"	flat profile, larch raw, 9,2 x 22 mm / 3/8 x 27/32"
flat profile, larch raw, 9,2 x 28 mm / 3/8 x 1-3/32"	flat profile, larch raw, 9,2 x 35 mm / 3/8 x 1-3/8"
flat profile, larch raw, 9,2 x 39,5 mm / 3/8 x 1-9/16"	flat profile, larch raw, 9,2 x 46 mm / 3/8 x 1-13/16"
flat profile, larch raw, 9,2 x 58,5 mm / 3/8 x 2-5/16"	flat profile, larch raw, 12,5 x 12,5 mm / 3/16 x 1/2"
flat profile, larch raw, 12,5 x 18,7 mm / 3/16 x 23/32"	flat profile, larch raw, 12,5 x 22 mm / 3/16 x 27/32"
flat profile, larch raw, 12,5 x 28 mm / 3/16 x 1-3/32"	flat profile, larch raw, 12,5 x 39,5 mm / 3/16 x 1-9/16"
flat profile, larch raw, 12,5 x 46 mm / 3/16 x 1-13/16"	flat profile, larch raw, 12,5 x 58,5 mm / 3/16 x 2-5/16"
flat profile, larch raw, 18,7 x 22 mm / 3/16 x 27/32"	flat profile, larch raw, 18,7 x 28 mm / 3/16 x 1-3/32"
flat profile, larch raw, 18,7 x 39,5 mm / 3/16 x 1-9/16"	flat profile, larch raw, 18,7 x 46 mm / 3/16 x 1-13/16"
flat profile, larch raw, 18,7 x 58,5 mm / 3/16 x 2-5/16"	square profile, larch raw, 19,3 x 19,7 mm / 3/16 x 25/32"
flat profile, larch raw, 18,7 x 79,7 mm / 3/16 x 3-1/8"	square profile, larch raw, 28 x 28 mm / 3/16 x 1-3/32"
square profile, larch raw, 22 x 22 mm / 3/16 x 27/32"	flat profile, larch raw, 28 x 49,7 mm / 3/16 x 1-31/32"
square profile, larch raw, 39,5 x 39,5 mm / 3/16 x 1-9/16"	flat profile, larch raw, 28 x 69,7 mm / 3/16 x 2-3/4"
flat profile, larch raw, 28 x 58,5 mm / 3/16 x 2-5/16"	L- profile, larch raw, 25 x 25 mm / 1 x 1"
L- profile, larch raw, 15 x 15 mm / 19/32 x 19/32"	L- profile, larch raw, 45 x 45 mm / 1-25/32 x 1-25/32"
L- profile, larch raw, 35 x 35 mm / 1-3/8 x 1-3/8"	

FN wood-pro construction wood



The better wood.

Wood as a building material has plenty of advantages, but also a few challenges. Due to its longitudinal fibrous structure, wood is very well suited as a load-bearing material. That stated, if the spans are too large and the loads are too high, it will break.

However, if individual veneer layers are glued together, this creates greater strength than solid spruce wood with the same cross-section. The process also saves high-quality raw materials, since the glued FN wood-pro can be used with smaller cross-sections.

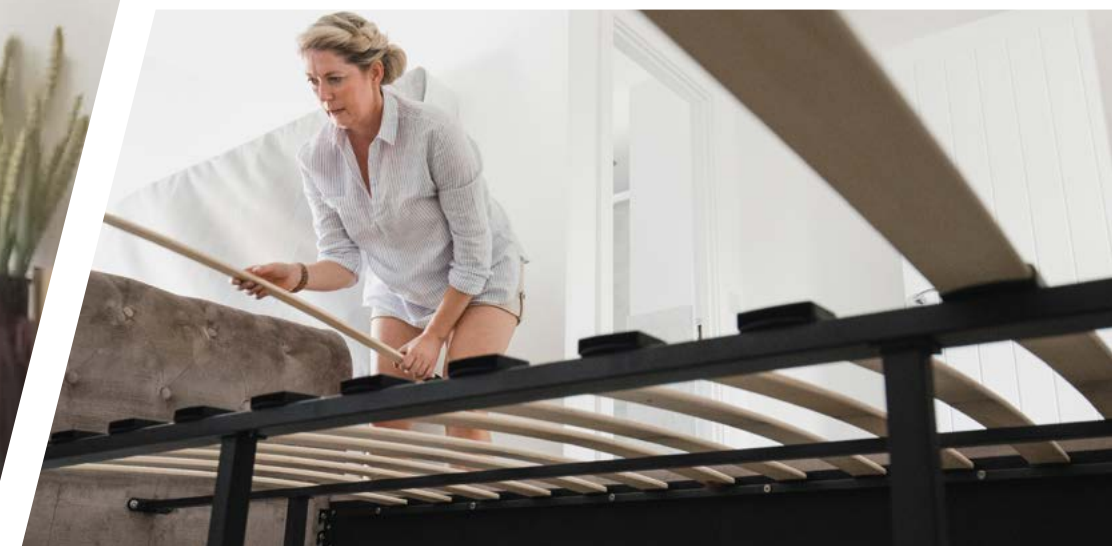
The functional uses of the wood remain the same, however.

Product advantages:

- Post planed and chamfered on four sides.
- Especially dimensionally stable and true to size thanks to glued veneer layers.
- FN wood-pro has 25% more bending and tensile strength than spruce wood of the same size.
- Can be used indoors and outdoors.
- Suitable for timber frame construction.

25% smaller cross-section than spruce wood with the same strength.





Bed slats

Better support means better sleep.

The slatted frame in a bed can break if children jump around the bed too wildly. Our prestressed, multi-layer laminated beech wood bed slats are the perfect replacement. We have various lengths available, so you are sure to find the right frame to ensure that you can sleep well again.

Product advantages:

- Replacement for broken slatted boards.
- Stable, resinated beech wood.
- Glued in several layers.
- Prestressed for excellent spring action.

Dimensionen:

- 8 x 53 x 700 mm / 5/16" x 2-3/32" x 2,30 ft. ■
- 8 x 53 x 900 mm / 5/16" x 2-3/32" x 2,95 ft. ■
- 12 x 53 x 1400 mm / 15/32" x 2-3/32" x 24,59 ft. ■

Type of wood:

Resinated beech

Processing:

Glued in several layers





Beams

Original chopped squared timber is characterised by a surface created by axe blows. In order to protect the wood from shrinking and decay, the beams are kiln-dried. This makes them ideal for indoor use.



Boards with original sun-bleached surface.

Various weathering influences combine in the sun-bleached surface of these unique boards. The weather elements and climate influences are reflected in a diverse range of colours, from grey to brown.



Original chopped boards.

These boards are produced from chopped squared timber. The surface, created by the natural ageing process, is cleaned and brushed. This retains the structure and colour of the boards and ensures that they are useful for a wide variety of applications. Perfect for wall cladding, for example.

Wood type
Spruce/fir/pine
Dimensions
100x120 - 140x140 mm
3-15/16x4-23/32" - 5-1/2x5-1/2"
Length
50 - 200 cm
1.64 - 6.56 ft.
Wood humidity
12 % (+/- 2 %)

Wood type
Spruce/fir/pine
Thickness
20 mm / 25/32"
Widths
80 - 120 mm / 3-5/32 - 4-23/32"
120 - 160 mm / 4-23/32 - 6-9/32"
160 - 200 mm / 6-9/32 - 7-7/8"
Length
50, 100, 150, 200 cm
1.64, 3.28, 4.92, 6.56 ft.
Wood humidity
12 % (+/- 2 %)

Wood type
Spruce/fir/pine
Thickness
25 mm / 1"
Widths
80 - 120 mm / 3-5/32 - 4-23/32"
120 - 160 mm / 4-23/32 - 6-9/32"
Length
50, 100, 150, 200 cm
1.64, 3.28, 4.92, 6.56 ft.
Wood humidity
12 % (+/- 2 %)

Ancient wood - old, but honest!

Wood is valuable - that's why we process recovered wood while retaining its natural properties and character. Old buildings are carefully dismantled and individual wooden elements are prepared for re-use. The result is a material with a one-of-a-kind character, thanks to the original appearance and function of the wood.

In terms of mass and volume, wood is the most important raw material in the world. Repurposing old wood gives it new life without engaging in further deforestation. This wood creates unique design elements: wall coverings or floors, from rustic to modern, provide that special atmosphere.

Product advantages:

- Ecological and sustainable.
- Individual and unique with countless possible applications.
- Prepared and at the same time natural.
- Various possible uses: tables, armchairs, shelves, wall elements, floors.
- Modern, rustic flair.
- Kiln dried, protection from shrinkage and decay.



FN Unedged Boards

Boards with charm.

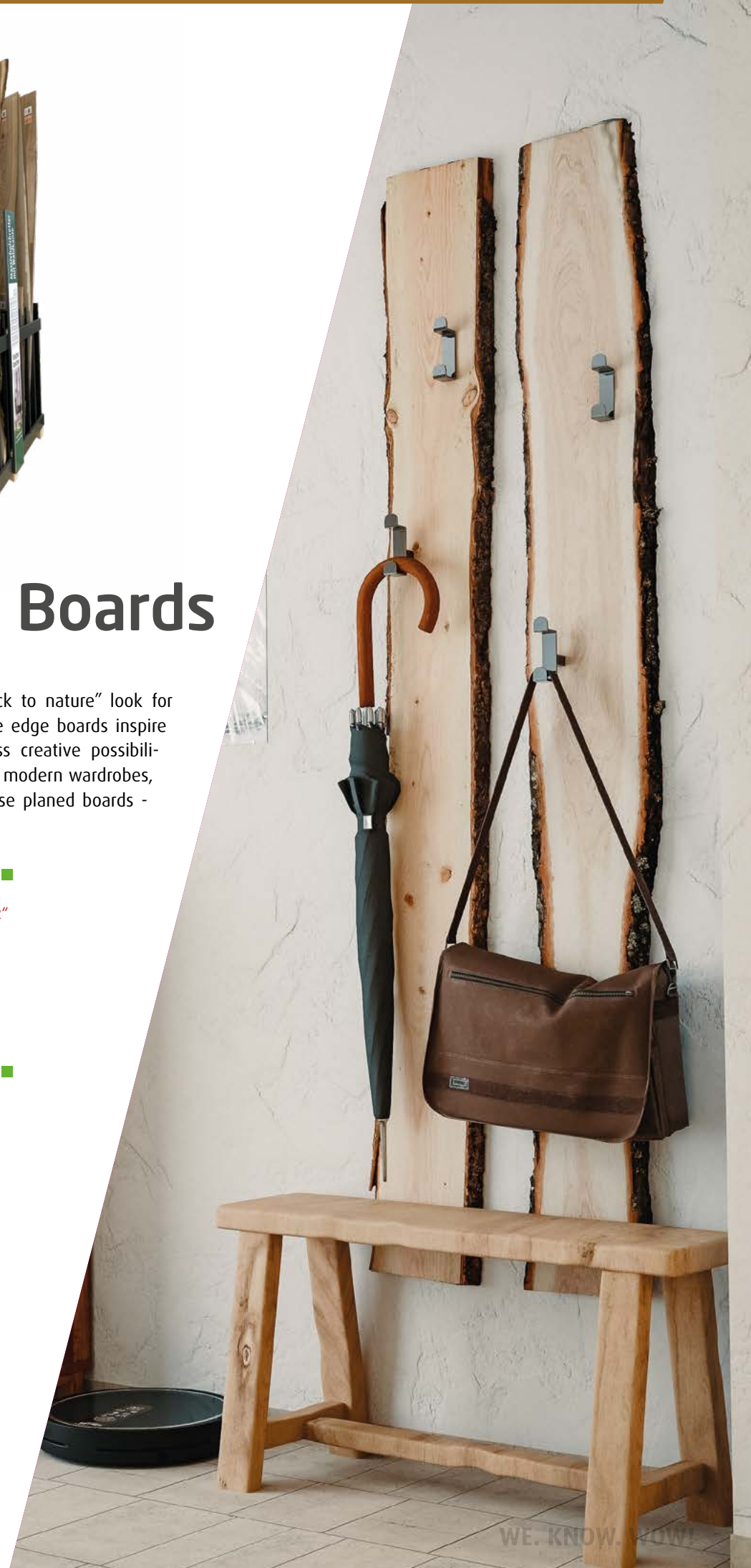
A rustic, one-of-a-kind, "back to nature" look for your living space: let our live edge boards inspire your imagination with endless creative possibilities. Furniture, wall decoration, modern wardrobes, everything is possible with these planed boards - for DIY within your four walls.

Oak raw

- 150-250x22mm, Length 120cm
5-29/32 - 9-27/32 x 7/8", Length 47-31/32"
- 260-350x22mm, Length 120cm
10-1/4 - 13-25/32 x 7/8", Length 47-31/32"
- 150-250x22mm, Length 200cm
5-29/32 - 9-27/32 x 7/8", Length 78-3/4"
- 260-350x22mm, Length 200cm
10-1/4 - 13-25/32 x 7/8", Length 78-3/4"

Ash raw

- 150-250x22mm, Length 120cm
5-29/32 - 9-27/32 x 7/8", Length 47-31/32"
- 260-350x22mm, Length 120cm
10-1/4 - 13-25/32 x 7/8", Length 47-31/32"
- 150-250x22mm, Length 200cm
5-29/32 - 9-27/32 x 7/8", Length 78-3/4"
- 260-350x22mm, Length 200cm
10-1/4 - 13-25/32 x 7/8", Length 78-3/4"





Kindling

A bright idea.

Sustainability has always played a central role for us, which is why we convert our residual production materials – e.g. high-quality wood leftovers from profile production – into a new product. These are cut into equal lengths and packaged as practical kindling at 18 dm³. This gives you perfectly dry wood made from knotless spruce or pine in different sizes. Ideal for lighting and for reheating as it is easily combustible due to the resin content.

An innovative solution that does not require using chemical fire starters, thus protecting the environment and your wallet.

Product advantages:

- Environmentally friendly product made from renewable raw materials.
- No chemical fire starters.
- Ideal burning properties thanks to the dryness of the spruce/pine wood.
- Different sizes for easy lighting and reheating.
- Optimally packaged in a practical size that's easy to carry.
- Perfectly clean, even in the oven – no more chippings lying around.



Craft wood

To encourage creativity.

We package some of the wood leftover from production into boxes. The result is perfect for crafts and ensures that the wood does not end up being burnt, which prevents the CO₂ from being released for years to come. Every box is a surprise, because each box consists of different leftover strips. That makes it exciting and encourages creativity.

Product advantages:

- Upcycled leftover wood.
- Wooden slats of different sizes for creative crafting.
- 18 dm³ content in the box.
- Practical, recyclable cardboard box.
- Dried, untreated spruce/pine wood.
- Can also be used as kindling after use.



Solid wood qualities

Solid wood, naturally.

Depending on the intended use, available resources or visual requirements, we offer solid wood strips in spruce, pine or fir in different qualities. Number of knots, knots or knotless, tolerances on the cross-section, as well as length, permitted wood discolouration: These are all assessment criteria that divide the wood into different classes. We have listed our standards here:

Spruce/pine/fir, knotless.

In this quality we offer rectangular strips, profiled strips (i.e. coved strips, angle strips, triangular strips, transition strips, etc.) and round rods, i.e. so-called extension strips.

The wood moisture content is 12 +/- 4 %. Due to the moisture and the manufacturing tolerance, there is a length tolerance of +2/-1 % on the length of the strip. For cross-sections smaller than 10 mm / 3/8" in width, the cross-section tolerance is 8% deviation from the nominal size. This is reduced to 5% for cross-sections larger than 10 mm / 3/8" in width due to processing and moisture. The visible side of the strip is, as a rule, knot-free (single point knots are permitted), up to 10% of the bundle quantity, however, knots up to 1/3 of the strip width are occasionally permitted. Cracks on the visible side are not allowed, but drying cracks on the front sides up to 30 mm / 1-3/16" in length are permitted. Longitudinal bending and twisting is up to 2% to the length of the strip, as long as further processing is possible. Tree edge and ingrowing bark is not permitted on the visible side of the strip. It is, to a lesser extent, permitted on the back, provided the function and appearance of the strip is not impaired. The colour and structure may vary within the range typical of the type of wood, but fungal, insect or mistletoe infestation is not permitted. Blue stains can sometimes appear on the back of profiled strips. Healthy sapwood is permitted, as well as isolated resin pockets up to 5x30 mm/m / 3/16"x1-3/16", but only up to a maximum of 10% of the bundle quantity. The visible side must be planed cleanly, a planing saw cut is also permitted. The best way to store the strips is standing up or lying down, protected from moisture and direct sunlight (to prevent discolouration) in an ideal climate of 18°C with a relative humidity of 55-70%.



Spruce/pine knotty.

The following describes only the differences compared to knotless products:

The wood moisture content may now be 14 +/- 4 %, there may be any number of firmly intergrown knots, but with a strip width of up to 30 mm / 1-3/16" with a maximum of 1/2 of the strip width of 30-40 mm / 1-3/16"x1-9/16", max. 25 mm 1", for strips more than 40mm / 1-9/16", wide: max. 30 mm / 1-3/16". Knot breaks in edge knots are permitted with a maximum of 1/4 of the knot size. Resin pockets are allowed up to a size of 4x40 mm / 5/32"x1-9/16".

Spruce/pine knotty, B quality:

The differences compared to knotty goods are as follows: isolated, firmly grown knots with a maximum of half the strip width are permitted. Slight cracks, a cut in the pith, live edge and bark ingrowth on one broadside are also permitted. Light mistletoe infestation is also permitted.

Spruce/pine/fir, knotless, finger-jointed.

Finger-jointed goods can also be used for rectangular strips and square strips. The grading for this is identical to the grading for knotless strips, with the addition that the finger length may be 10 +/- 4 mm with a minimum length of the finger-jointed sections of 300 mm / 11-13/16".

Discover our wider range

FN FOILED PROFILES

Foiled mouldings are usually laid to laminate flooring. The reason is obvious: the same materials react in the same way to light and moisture. A wide range of shapes and decors leave almost nothing to be desired, especially when it comes to matching the decor of the skirting to the floor. In-house digital printing makes it possible!



FN VENEERED PROFILES

A skirting board provides the perfect finish between the floor and the wall. The necessary expansion joint is stylishly and elegantly concealed and the profile, ideally in the same décor as the floor, completes the room. Veneered profiles are usually laid with parquet floors. The reason is obvious: the same materials react in the same way to light and moisture.



FN WHITE PROFILES

White skirting boards are modern, elegant, stylish and very much in fashion. We offer an extensive variety of different materials and surfaces as well as shades of white. The following pages provide an overview of this product range. Find the perfect version for your market.



FN FUNCTIONAL AND WATERPROOF PROFILES

If the standard no longer fits or special challenges need to be overcome, FN Neuhofer offers a selection of special solutions for a wide range of applications. And for LVT or waterproof floors, there are matching waterproof skirting boards, decorated to match the floor or simply in white.



FN SOLID WOOD PROFILES

Wood in its most natural form, cut and planed, raw or varnished, sustainable and destined to last forever: these are our solid wood profiles, made from hardwood or softwood. Real, natural and grounded. Whether you need a resilient skirting board, wood for crafts for everyone and everywhere in the house, or old wood for a one-of-a-kind ambience.



FN FLOOR ACCESSORIES

Clips, corners and numerous other accessories are indispensable for quick and easy moulding installation. The mouldings are all provided with functional grooves into which various clips, fixing rails or holders for corner pieces can be inserted. The aim is always the same: to make installation as easy and uncomplicated as possible for the customer.



FN FLOORING PROFILES

When installing flooring, each room is usually laid as a separate area. During this process, an expansion joint should be planned under every door. And if the floor areas become too large, they should also be separated by expansion joints. If there are different coverings in the individual rooms, such as tiles, laminate flooring, parquet flooring or LVT flooring with different floor heights, it is essential to cover the joints that are created as a result.



FN LIVING

Modern wall design with additional benefits is important in today's fast-paced and noisy world. Acoustic panels create peace and quiet in your own home, while various wall panelling systems enhance the room and create a cosy ambience. And the DIY concept is not neglected either. You can fill, glue, paint and realise your own creativity.





NEUHOFER

WE. KNOW. WOW!

All dimensions and performance of the products stated in the product catalogue are to be regarded as approximate. The stated dimensions and performance of the products are non-binding; this applies in particular to their quality, colour and design (grain, surface, etc.). Furthermore, we expressly reserve the right to make any deviations from the products shown in the product catalogue; the offer and order confirmation are exclusively authoritative, based on the General Terms and Conditions (see <https://www.fnprofile.com/de/verkaufs-und-lieferbedingungen-01-01-2022.html>). The customer can therefore derive no rights - of any kind whatsoever - from pictorial representations and/or specified dimensions and services in accordance with this product catalogue.

Printing and typesetting errors and mistakes excepted. 01/25

NEUHOFER HOLZ GMBH
A-4893 Zell am Moos, Haslau 56, Tel.: +43 (0)6234/8500-0,
office@fnprofile.com, www.fnprofile.com



Here you can find our social media channels



The mark of responsible forestry