



FLOORING- PROFILES



NEUHOEFER

WE. KNOW. WOW!



Flooring profiles

When installing flooring, each room is usually laid as a separate area. During this process, an expansion joint should be planned under every door. And if the floor areas become too large, they should also be separated by expansion joints. If there are different coverings in the individual rooms, such as tiles, laminate flooring, parquet flooring or LVT flooring with different floor heights, it is essential to cover the joints that are created as a result.

Perfect décor match

The result is truly astounding. With the same print, different surface coatings can be used to produce décor paper for a variety of applications, e.g. skirting boards, floor profiles, corner sticks, door frame boards. All in the same design as the floor.

Door frame

Corner stick

Skirting board profiles

Floor profile



Highly abrasion-resistant surfaces

Thanks to our innovative digital printing technology, we can produce skirting boards and floor profiles to match the floor. Paper foil décor for laminate floors or digitally printed alternative materials for parquet floors - anything is possible, opening up unimagined possibilities in interior design.

Decorative coatings with FN pro-TECT⁺, specially developed for floor profiles, offers a highly abrasion-resistant surface that meets the criteria for utility classes 22 to 31. These highly abrasion-resistant decorative coatings can be wrapped on both HDF and aluminium floor profiles.

Advantages:

- Highly abrasion-resistant surface meets criteria for utility classes 22 - 31.
- Surface will not turn yellow.
- Water- and weather-resistant surface.
- Extremely flexible surface, no limit to profile shapes.
- Simple and fast sampling process in combination with digital printing.
- Perfect match between floor and profile, since the same décor paper is used as a basis and only the surface coating differs.
- The coating is PVC, VOC and formaldehyde free.



Perfectly matching floor - skirting board - profile



New surface FN pro-TECT+

Utility class 22 - 31, smooth



Practice tests



Guide to symbols

To make it easier for you to navigate through the catalogue, we have marked all products with coloured dots. These dots provide you with information on the availability and delivery time of the items in question.

We are pleased to make it easier for you to find the right item – another important step towards providing perfect service.

Green dot >>>> quickly available:

Stock items - exact details of the items in stock (decors), as well as delivery quantities and delivery times you will receive from our sales staff at the sales department.

Blue dot >>>> order-related quickly:

Articles whose BOM components are all in stock and “only” have to be assembled into a finished product get a blue dot.

Yellow dot >>>> order-related:

Articles with this marking are FN standard items, which are made to order and are bound to a defined minimum quantity and delivery times. Raw materials still have to be purchased.

Red dot >>>> on request:

These are special items that can be manufactured on request. Raw materials, production times still have to be requested.



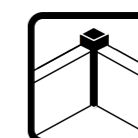
Clipholder CH23



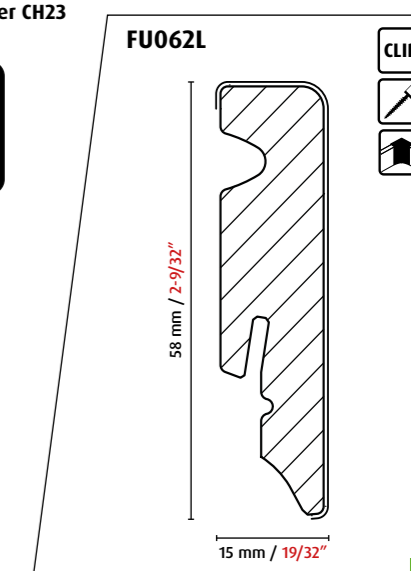
nailofix CH28



Plastic corners



Corner sticks

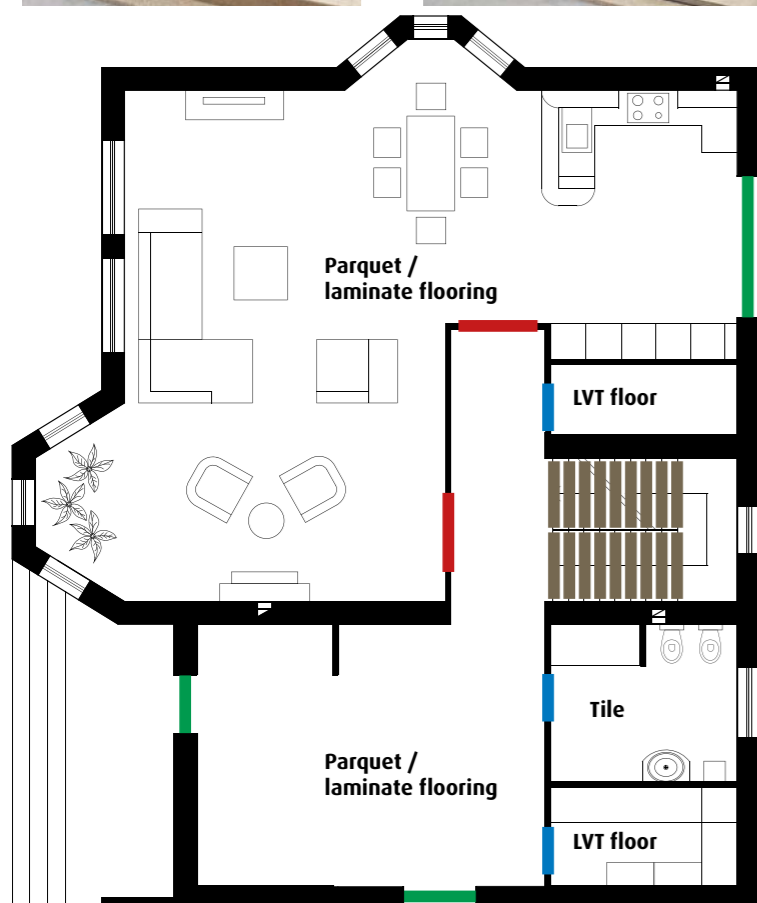
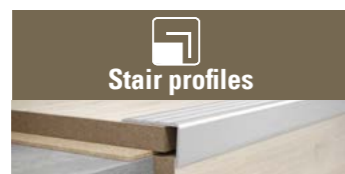


Structure and composition of the product range

The graphical representation helps to find the ideal profile for the corresponding transition.

- Profile standard lengths are 90 cm / 2,95 ft. and 270 cm / 8,86 ft.. For stair profiles, special lengths e.g. 95 cm / 3,12 ft. or 135 cm / 4,43 ft. are available.
- Floor profiles are almost always delivered in a combination pack, i.e. shrink-wrapped, with installation material and hanger.
- Sales units are 10 pieces in a box.
- Anodised colours: silver, champagne, cognac, other colours on request.
- Décor covering: foil, FN pro-TECT, laminate, veneer.
- FN Neuhofer is a specialist when it comes to matching the décor of floors and profiles.

Application examples



Page 10



HDF/PVC flooring profiles

Material

HDF
Aluminium
Stainless steel/brass
Plastic

Surfaces

Laminated designs
Anodised
Polished
Coloured through

Installation

Glue
Screws
Dowel
Rail



Page 20



Universal profile UPA08

Material

HDF
Aluminium
Stainless steel/brass
Plastic

Surfaces

Laminated designs
Anodised
Polished
Coloured through

Installation

Glue
Screws
Dowel
Rail



Page 16



Sixpack 6 in 1

Material

HDF
Aluminium
Stainless steel/brass
Plastic

Surfaces

Laminated designs
Anodised
Polished
Coloured through

Installation

Glue
Screws
Dowel
Rail



Page 28



fit-fix / simple-fix

Material

HDF
Aluminium
Stainless steel/brass
Plastic

Surfaces

Laminated designs
Anodised
Polished
Coloured through

Installation

Glue
Screws
Dowel
Rail



Page 22



combi-fix / scru-fix

Material

HDF
Aluminium
Stainless steel/brass
Plastic

Surfaces

Laminated designs
Anodised
Polished
Coloured through

Installation

Glue
Screws
Dowel
Rail



Page 34



metal-fix

Material

HDF
Aluminium
Stainless steel/brass
Plastic

Surfaces

Laminated designs
Anodised
Polished
Coloured through

Installation

Glue
Screws
Dowel
Rail



Page 26



alu-clip-fix

Material

HDF
Aluminium
Stainless steel/brass
Plastic

Surfaces

Laminated designs
Anodised
Polished
Coloured through

Installation

Glue
Screws
Dowel
Rail



Page 31



Plastic stair profiles

Material

HDF
Aluminium
Stainless steel/brass
Plastic

Surfaces

Laminated designs
Anodised
Polished
Coloured through

Installation

Glue
Screws
Dowel
Rail

Laminated PVC floor profiles

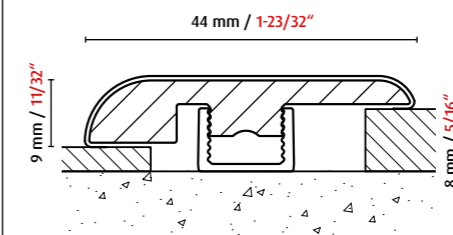
We created a matching floor profile, with the same design as the flooring, hidden by the FN klik-fix system: So discreetly beautiful that it is no longer noticeable on the floor. The core is made of PVC plastic and the surface is covered with abrasion-resistant decorative foil.

Produktvorteile:

- Each profile is available in the appropriate thickness, suitable for all standard laminate and vinyl flooring.
- Adapted to the floor in terms of material and colour, no disturbing contrast (almost unlimited choice of colours for laminate floors).
- Maximum resistance thanks to optional corundum-coated foil or pro-TECT+ coating.
- Waterproof PVC carrier.
- Professional, invisible assembly.
- Can be removed or replaced quickly and easily at any time for cleaning, care or replacement. • Can be individually cut to size thanks to the practical length of 0.9 / 2,95 ft. or 2.7 m / 8,86 ft. (stair profile 1.35 / 4,43 ft. or 2.7 m / 8,86 ft.).



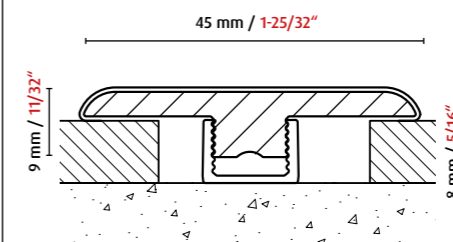
Reducer profile



UPP09 = 9 x 44 mm / 11/32" x 1-23/32" = rabbet 8 mm / 5/16"
(approx. 7 - 11 mm / 9/32" - 7/16" laminate)



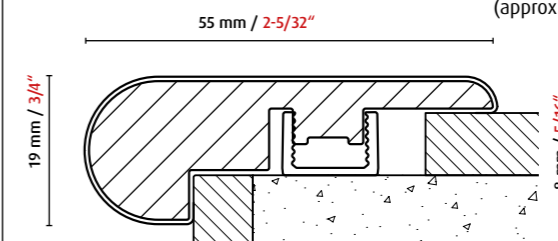
T-moulding



BPP01 = 9 x 45 mm / 11/32" x 1-25/32" = rabbet 8 mm / 5/16"
(approx. 7 - 11 mm / 9/32" - 7/16" laminate)



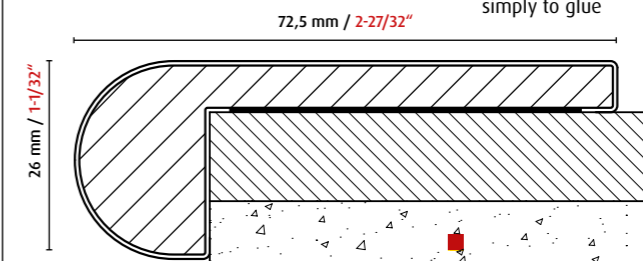
Stair profile with track



TPP03 = 19 x 55 mm / 3/4" x 2-5/32" = rabbet 8 mm / 5/16"
(approx. 7 - 11 mm / 9/32" - 7/16" laminate)



Stair profile without track



TPP02 = 26 x 72,5 mm / 1-1/32" x 2-27/32"
simply to glue



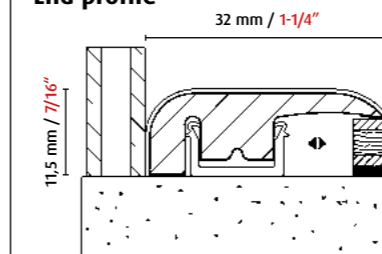
Laminated HDF floor profiles

We created a matching floor profile, with the same design as the flooring, hidden by the FN klik-fix system: so discreetly beautiful that it is no longer noticeable on the floor. The core is made of the environmentally friendly, wood-based material HDF. The surface is covered with an abrasion-resistant film.

Product advantages:

- Each profile is available in different thicknesses, suitable for all common parquet or laminate floors.
- Adapted to the floor in terms of material and colour, no disturbing contrast (almost unlimited choice of colours for laminate floors).
- Maximum resilience thanks to a choice of corundum-coated foil, real veneer or protect* covering.
- Low-swelling HDF E1.
- Professional, invisible assembly.
- Can be removed or replaced quickly and easily at any time for cleaning, care or replacement.
- Can be individually cut to size thanks to the practical length of 0.9 / 2,95 ft. or 2.7 m / 8,86 ft. (stair profile 1.35 / 4,43 ft. or 2.7 m / 8,86 ft.).

End profile



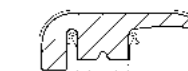
No. 4 = 11,5 x 32 mm / 7/16" x 1-1/4" = rabbet 8 mm / 5/16" (approx. 7 - 11 mm / 9/32" - 7/16" laminate) FN klik-fix MS

Additional Compensation tracks for rabbets:

FN klik-fix 8 from 10 - 13 mm / 13/32" - 1/2"
FN klik-fix 9 from 14 - 18 mm / 9/16" - 23/32"

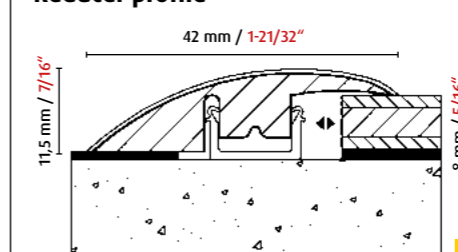


FN klik-fix 8



FN klik-fix 9

Reducer profile



No. 4 = 11,5 x 42 mm / 7/16" x 1-21/32" = rabbet 8 mm / 5/16" (approx. 7 - 11 mm / 9/32" - 7/16" laminate) FN klik-fix MS

Additional compensation tracks for rabbets:

FN klik-fix 6 from 10 - 13 mm / 13/32" - 1/2"
FN klik-fix 7 from 14 - 18 mm / 9/16" - 23/32"

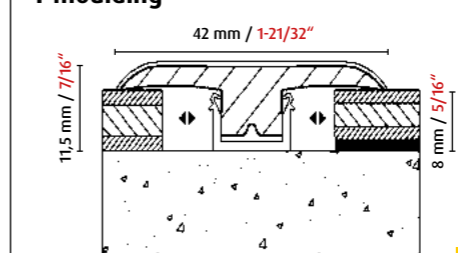


FN klik-fix 6



FN klik-fix 7

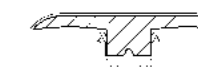
T-moulding



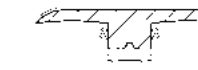
No. 1 = 11,5 x 42 mm / 7/16" x 1-21/32" = rabbet 8 mm / 5/16" (approx. 7 - 11 mm / 9/32" - 7/16" laminate) FN klik-fix MS

Additional compensation tracks for rabbets:

FN klik-fix 8 from 10 - 13 mm / 13/32" - 1/2"
FN klik-fix 9 from 14 - 18 mm / 9/16" - 23/32"

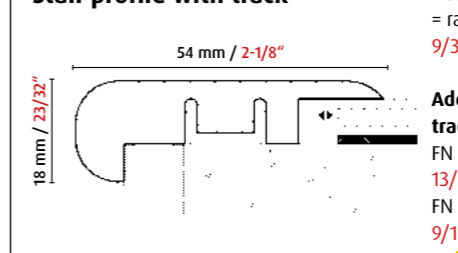


FN klik-fix 8



FN klik-fix 9

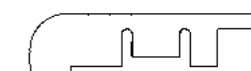
Stair profile with track



No. 10 = 18 x 54 mm / 23/32" x 2-1/8" = rabbet 8 mm / 5/16" (app. 7-11 mm / 9/32" - 7/16" laminate) FN klik-fix MS

Additional compensation track for rabbets:

FN klik-fix 8 from 10 - 13 mm / 13/32" - 1/2"
FN klik-fix 9 from 14 - 18 mm / 9/16" - 23/32"

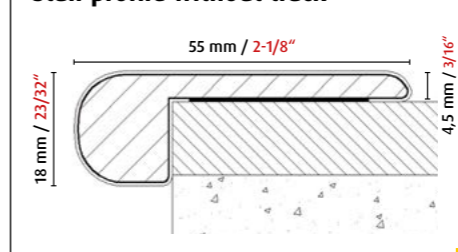


FN klik-fix 8



FN klik-fix 9

Stair profile without track



No. 05 = 18 x 55 mm / 23/32" x 2-5/32" = rabbet 14 mm / 9/16", simply to glue.



FN HDF-easy

The next-level solution.

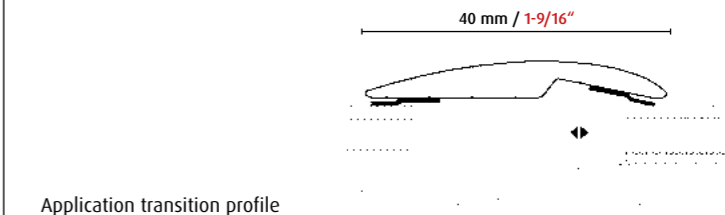
This floor profile is the best choice if you want to bridge or cover the transition quickly, easily and beautifully. Our product provides an easy solution as a transition profile for floors on two different levels or as an overlapping profile for floors at the same height. People love our slim profiles for their unique construction and easy handling, which does not require a special fastening system. Simply glue them to the floor with the adhesive tape on the underside of the profile. Our tried-and-true corundum foil provides the top layer.

Product advantages:

- Simple, quick adhesive installation.
- Transition and moving profile.
- No drilling required in the sub-floor.
- Perfect optics, no screws on the surface.
- Material and colour adapted to the flooring.
- A single product, two applications.

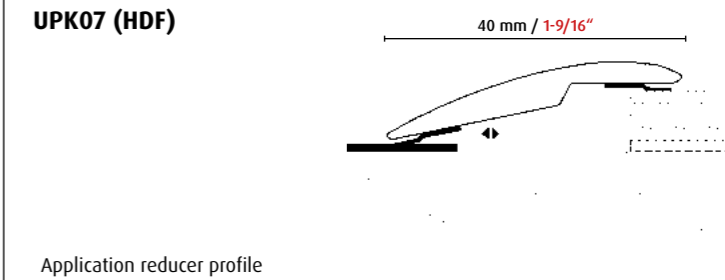


UPK07 (HDF)



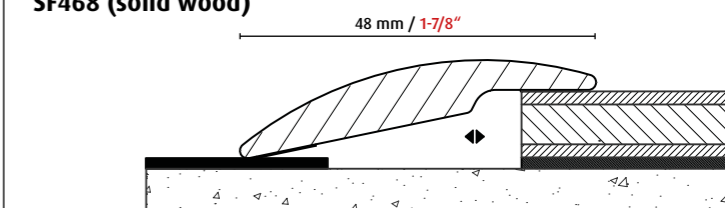
Application transition profile

UPK07 (HDF)



Application reducer profile

SF468 (solid wood)



Application reducer profile



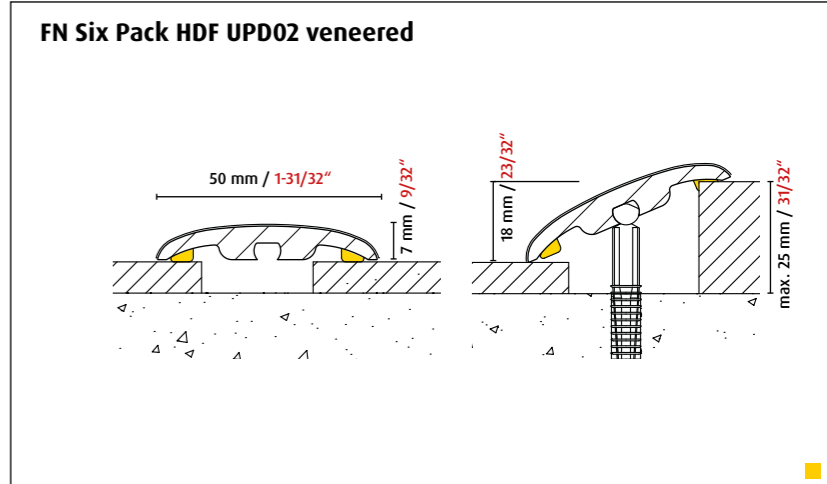
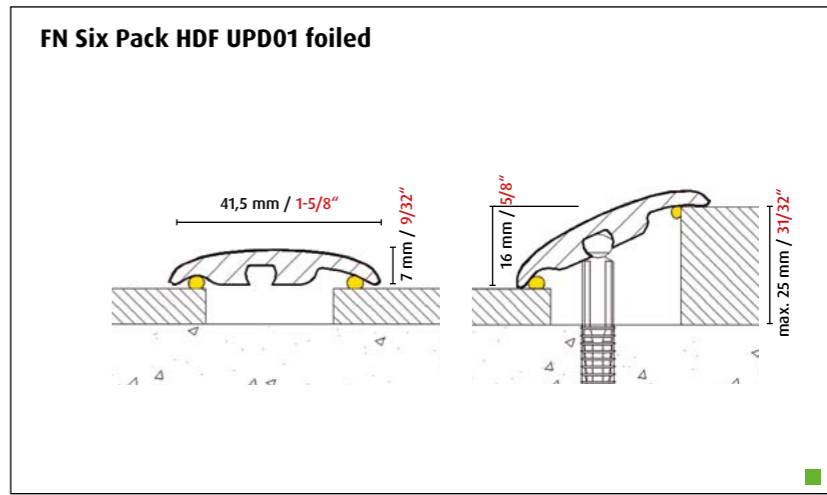
See installation video

FN sixpack HDF

The FN sixpack represents strength and power. But it also stands for versatility. This profile combines six different possible uses. One to cover the expansion joints with floor areas of the same height, one for floor areas with different levels and one as an end profile in combination with the included end pieces. There are two different installation options: with dowels or with adhesive. The profile is available in an HDF version with highly abrasion-resistant foil or veneer surfaces.

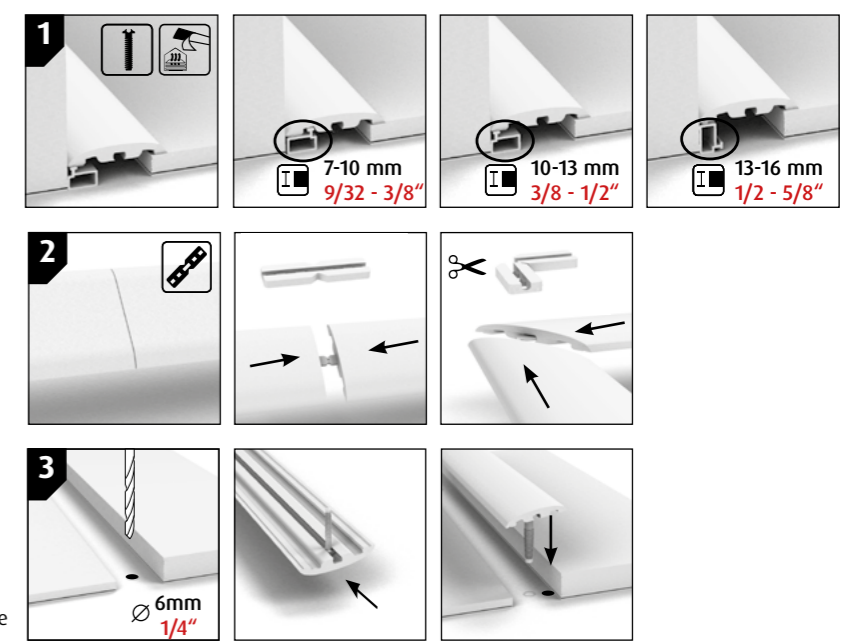
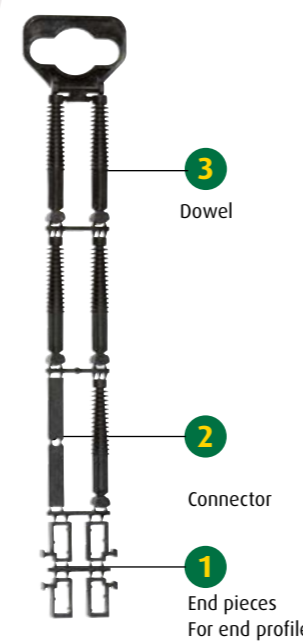
Product advantages:

- 1 profile for 3 applications (transition, reducer, end).
- 2 installation options (adhesive, dowel).
- Suitable for use over underfloor heating.
- Patent pending.



Accessories

Dowel magazine



FN sixpack Alu FN dowel-fix

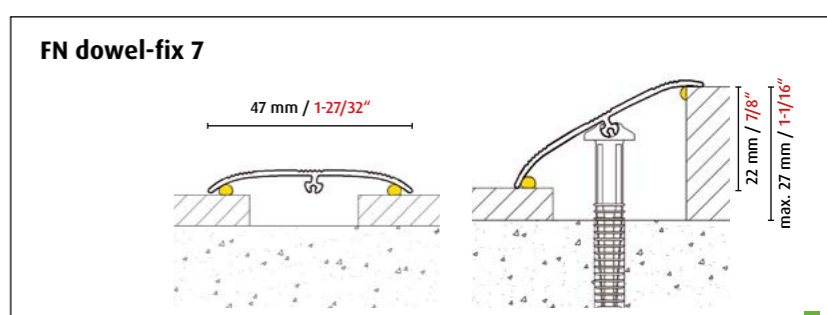
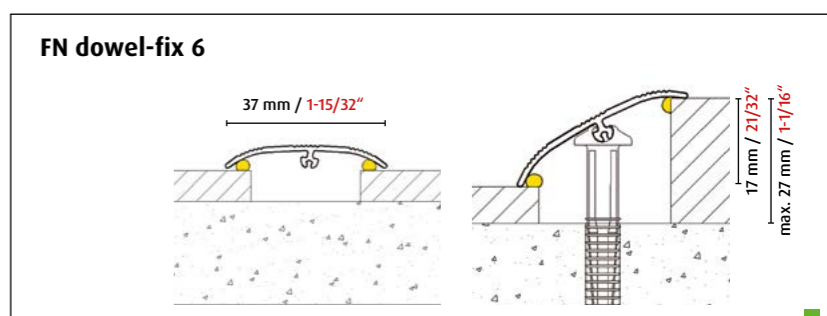
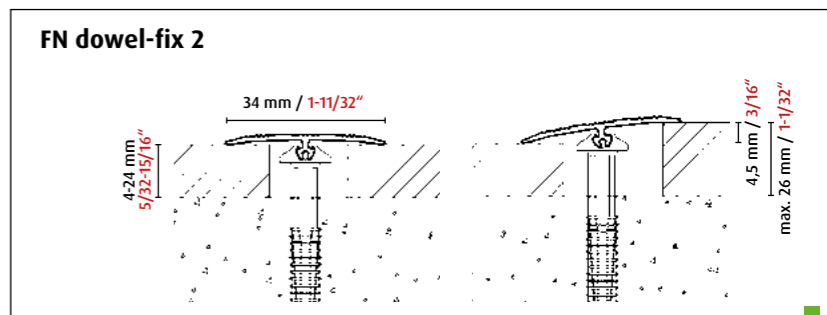
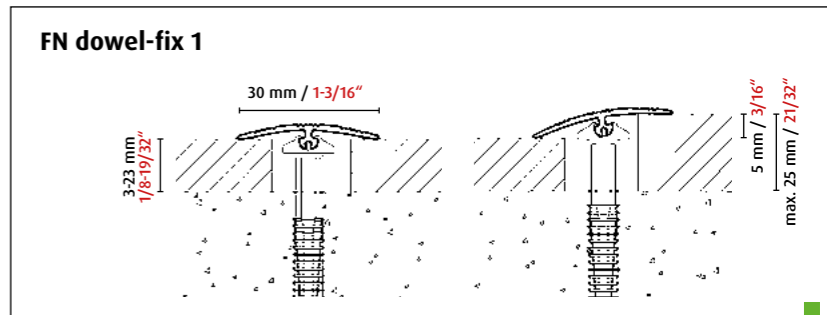
Our FN dowel-fix system is now an even more innovative 3-in-1 profile. Previously, the product functioned as a transition and moving profile, now it also works as an end profile. There are also two installation options: classic with dowels or modern with adhesive beads. The perfect system for every installation situation and floor height.

The FN six pack profile dowel-fix 6 is the right choice for all floor types, thanks to its flat structure: Laminate floor, parquet floor, vinyl floor and carpet floor.

Product advantages:

- 1 profile for 3 applications (transition, reducer, end).
- 2 installation options (adhesive, dowel).
- Suitable for use over underfloor heating.
- Patent pending.

Link to installation video for dowel-fix

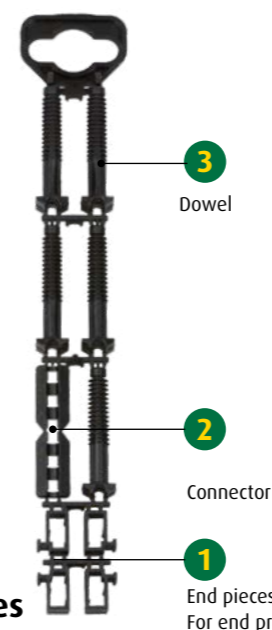
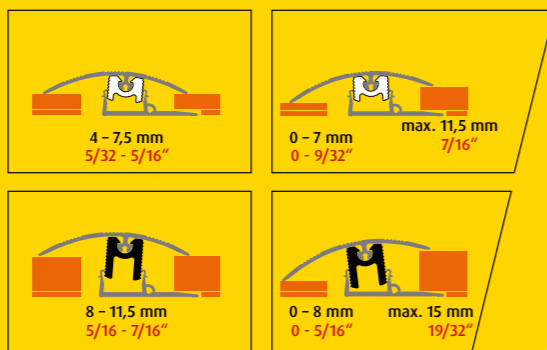


Accessories

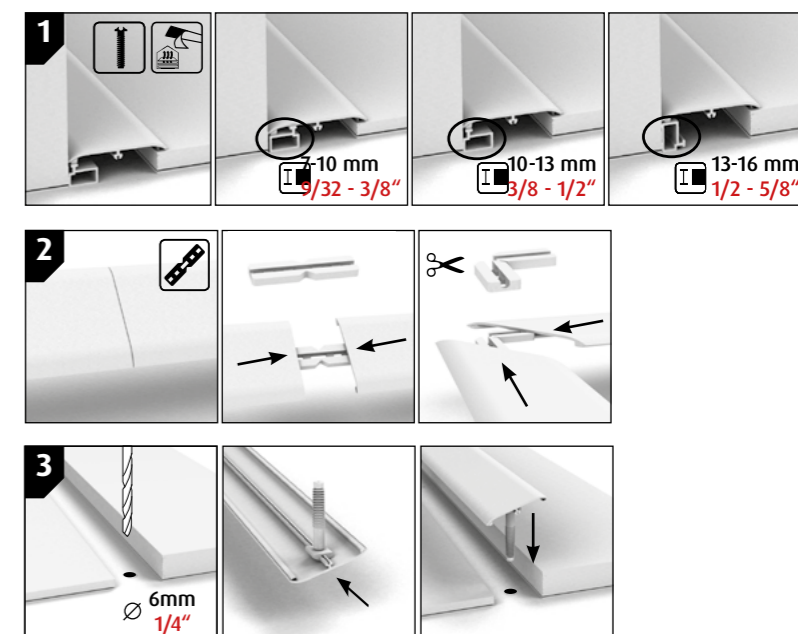


Rail for dowel fix.

As an alternative to dowels or adhesive beads, there is now also a rail solution for installing the dowel-fix profiles on the sub-floor.



Accessories
Dowel magazine



FN Universalprofil UPA08

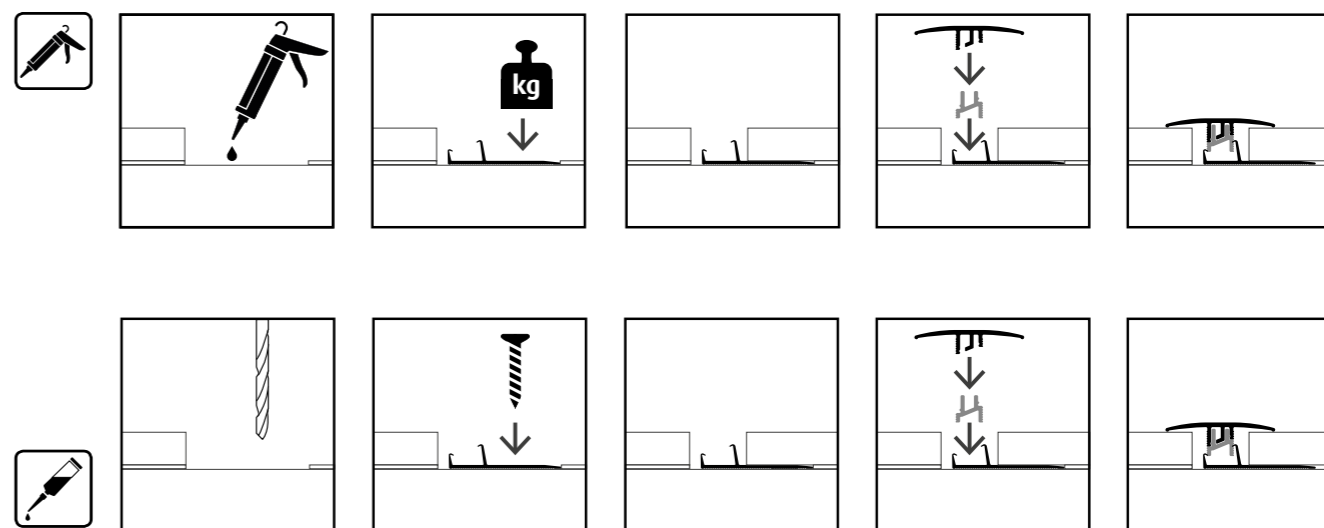
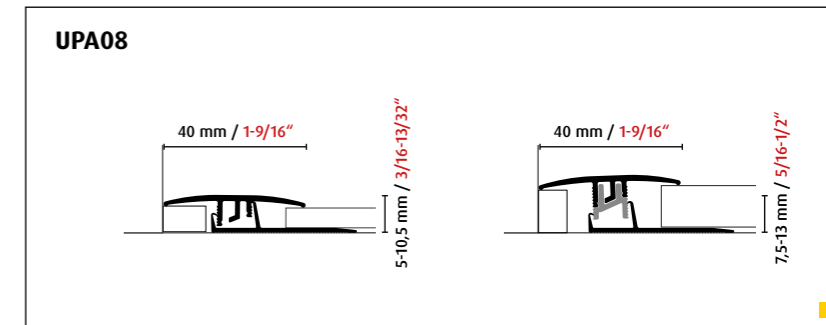
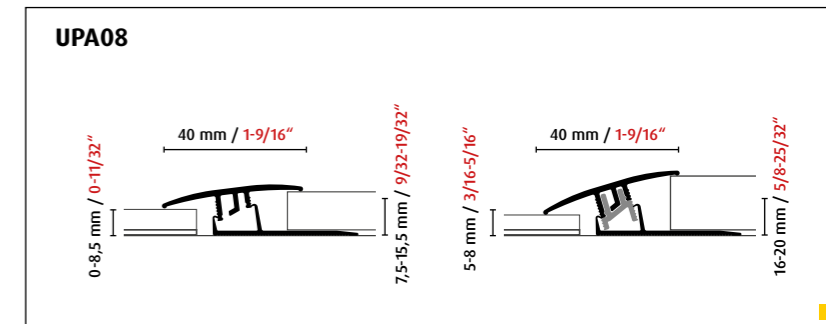
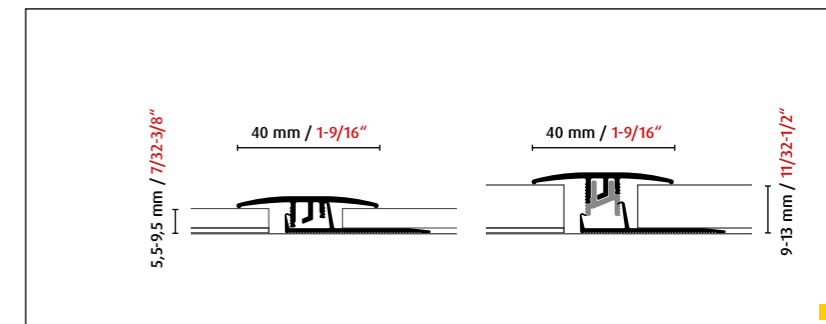
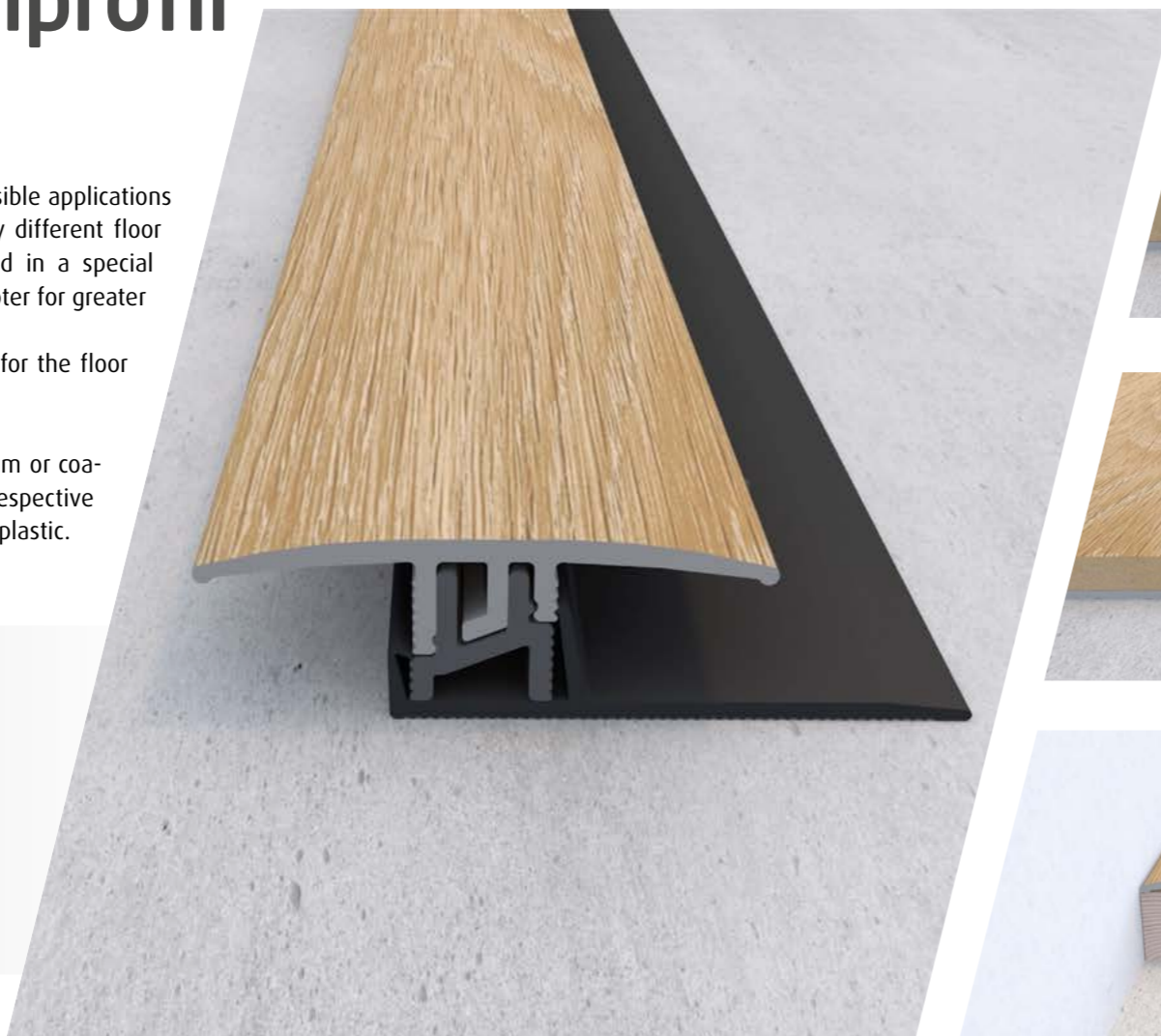
The universal profile UPA08 combines 3 possible applications in one profile. To be able to cover as many different floor heights as possible, the profile is designed in a special asymmetrical way and also includes an adapter for greater heights.

A simple wooden strip serves as a support for the floor profile when it is used as a finishing profile.

The profile is available in anodised aluminium or coated with decorative surfaces to match the respective floor and the bottom rail is made of flexible plastic.

Product advantages:

- 1 profile for 3 applications (transition, reducer, end).
- Mounting with rail.
- Anodised aluminium or decorative to match the floor
- Patent pending.



FN scru-fix Schraubprofile

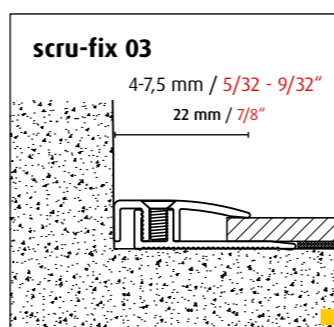
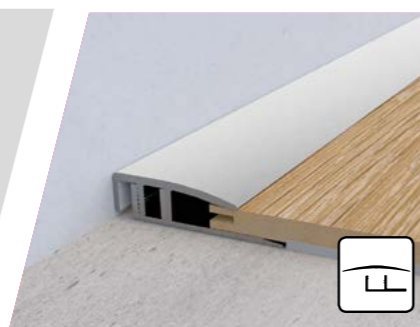
Screwed profiles convey solidity, strength and value. The new 'FN scru-fix' profiles fulfil these characteristics. There are special profile types for thin floors (profiles 01 - 03) and profiles for thicker floors (profiles 04 - 06)

as well as swivelling profiles that allow more leeway for compensation (profiles 07 - 09). And all this in three different applications as transition, reducer and end profiles - for professionals and all those who like to screw.

End profiles

scru-fix 01 - 03

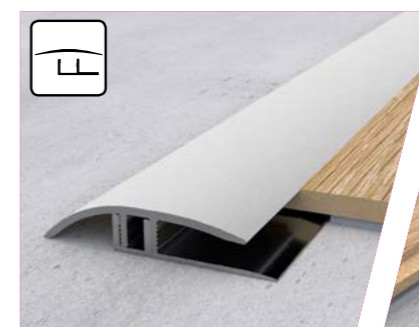
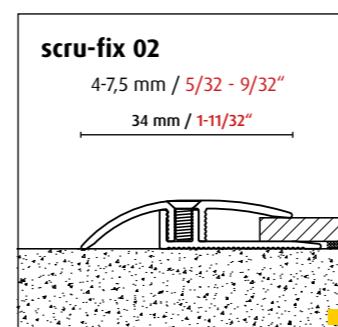
These simple screw profiles are specially designed for thinner floors, such as LVT or vinyl flooring. The patented screw system enables quick installation.



Reducer profiles

scru-fix 02

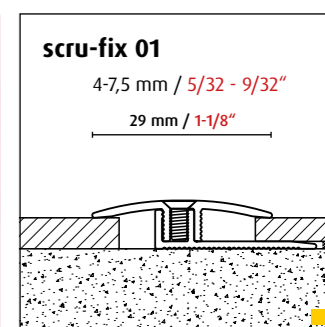
4-7,5 mm / 5/32 - 9/32"
34 mm / 1-11/32"



Transition profiles

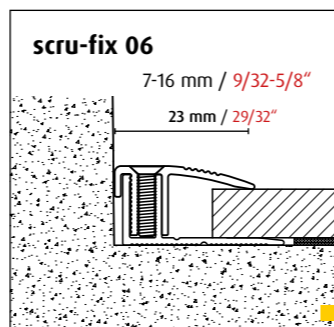
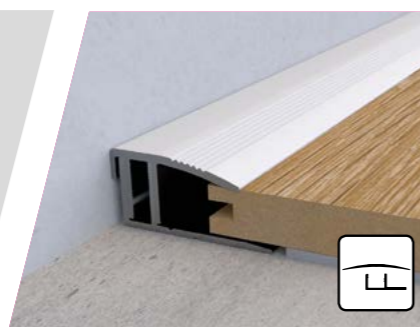
scru-fix 01

4-7,5 mm / 5/32 - 9/32"
29 mm / 1-1/8"



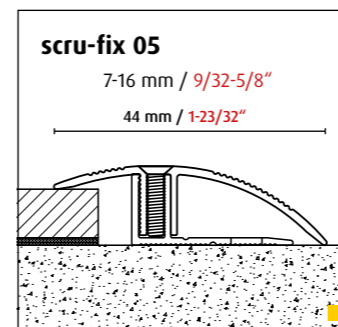
scru-fix 04 - 06

These simple screw profiles are designed for laminate and parquet flooring. The patented screw system enables quick installation.



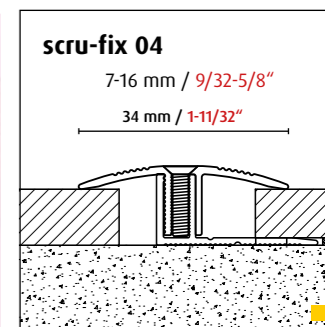
scru-fix 05

7-16 mm / 9/32-5/8"
44 mm / 1-23/32"



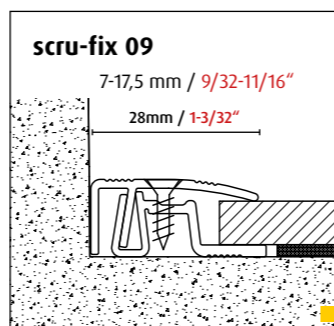
scru-fix 04

7-16 mm / 9/32-5/8"
34 mm / 1-11/32"



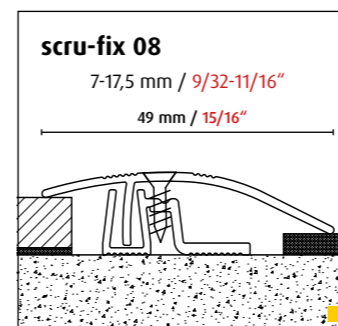
scru-fix 07 - 09

Stronger floor profiles for screwing are available especially for heavy-duty applications and are favoured by professionals.



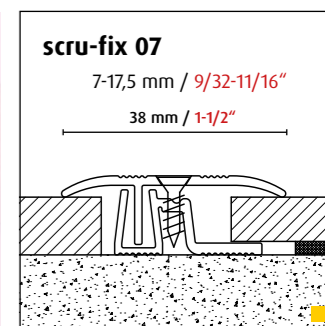
scru-fix 08

7-17,5 mm / 9/32-11/16"
49 mm / 15/16"



scru-fix 07

7-17,5 mm / 9/32-11/16"
38 mm / 1-1/2"



FN combi-fix

Aluminium screw profiles.

Functional, flexible quality. A screw profile that has it all: robust, beautiful aluminium on top, designed for perfect attachment on the bottom. The cover profile fixes in place on the previously attached sub-profile using screws and can cover or bridge almost any floor height. This is made possible by a plastic core in the lower profile.

Different screw lengths guarantee infinitely variable adjustment. It is attached either by means of a continuous bottom rail that is laid together with the floor, or with 15 mm wide clips or pieces of rail that are simply pushed under the floor after the flooring has been installed. A screw clamp holds the floor surfaces in place.

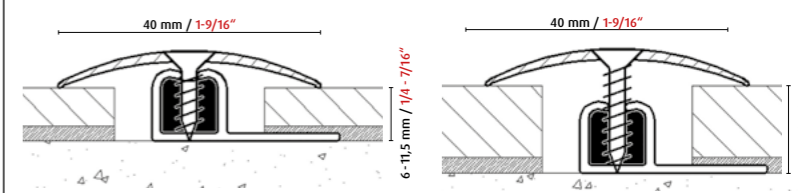
Product advantages:

- Innovative system.
- Simple and universal use.
- Flexible height and angle.
- Easily adjustable to different floor heights.
- Two installation options: as part of rail system or with clips after floor has been laid.
- Available as a transition, reducer and end profile.
- Patented (AT 510596 B1, AT 510597 B1).



3in1-Profile - combi-fix 01

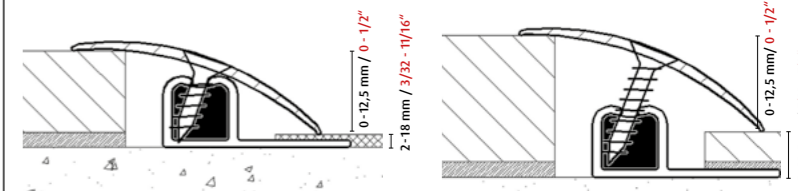
Transition profile 6 - 11,5 mm / 1/4 - 7/16" Transition profile 10,5 - 16 mm / 13/32 - 5/8"



3in1-Profile - combi-fix 01

Reducer profile 2 - 18 mm / 3/32 - 11/16"

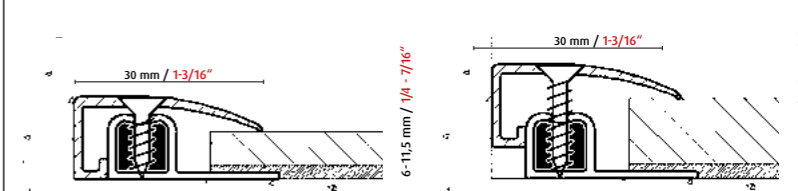
Reducer profile 5 - 22,5 mm / 7/32 - 7/8"



combi-fix 02

End profile 6 - 11,5 mm / 1/4 - 7/16"

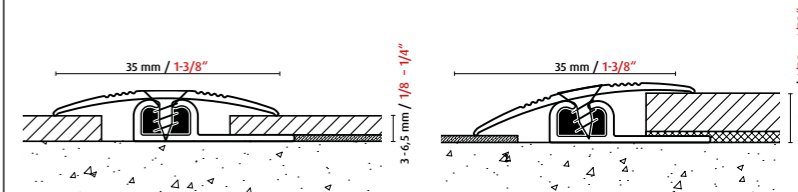
End profile 10,5-16 mm / 13/32 - 5/8"



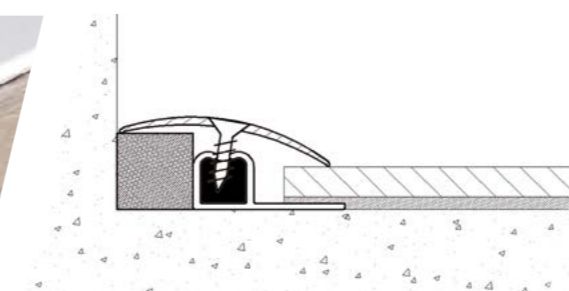
Variant for LVT-floors - combi-fix 03

Transition profile 3 - 6,5 mm / 1/8 - 1/4"

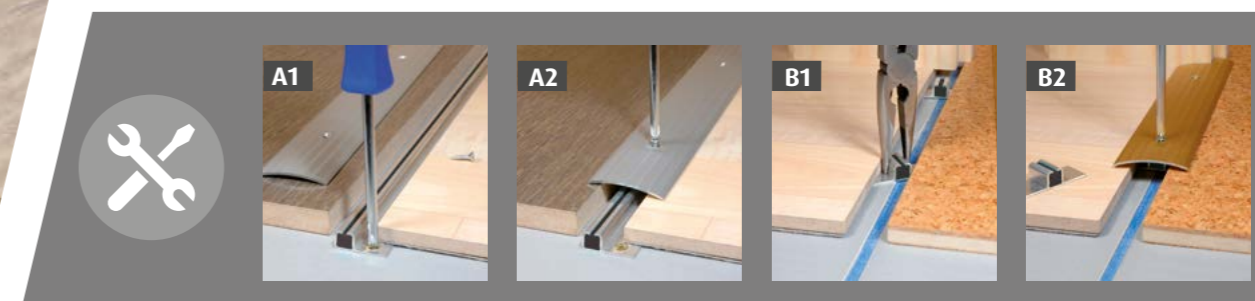
Reducer profile 1 - 10,5 mm / 1/32 - 1/32"



Accessories



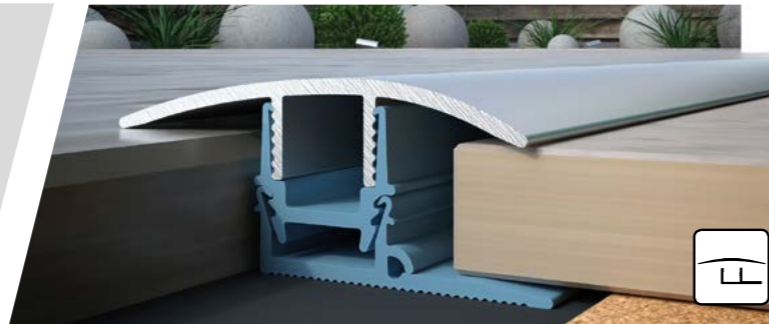
Spacers for the transition profile are optionally available for use as an end profile, and also serves as a distance measure for installing the fastening rail.



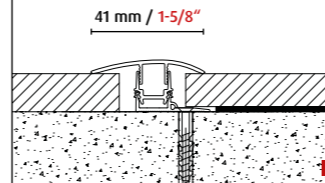
FN power-pro alu-клик-fix

FN alu-fix no. 70

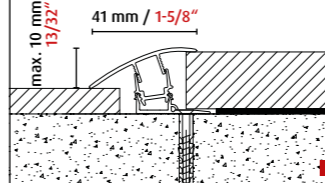
The perfect rail for particularly large height adjustments. Can be used as a reducer or transition profile thanks to its asymmetrical design.



FN alu-fix Nr. 70 5-18,5 mm
5 -18,5 mm / 3/16 - 23/32"



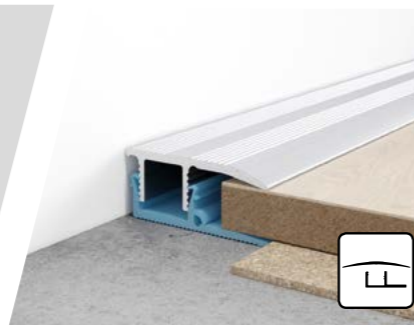
FN alu-fix Nr. 70 5-18,5 mm
5 -18,5 mm / 3/16 - 23/32"



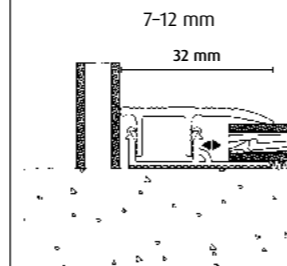
End profiles

Profile no. 80

There is a choice of 3 installation rails for different heights. Flexible, but extremely dimensionally stable – ideal for for uneven surfaces.



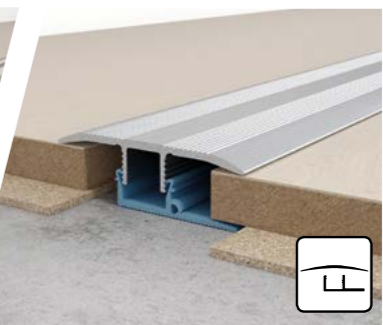
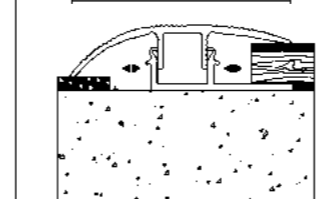
Abschlussprofil Nr. 80



Reducer profiles

Reducer profile no. 80

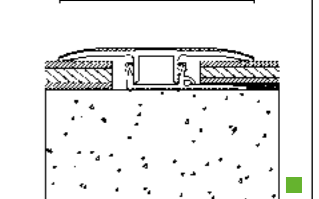
7-13,5 mm / 9/32 - 17/32"
45 mm / 1-25/32"



Transition profiles

Transition profile no. 80

7-12 mm / 9/32 - 15/32"
44 mm / 1-23/32"

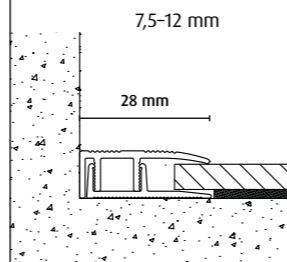


Profile no. 82

The "82" profile offers professional installers the tried-and-true function of our profiles with larger wall thicknesses and improved bottom rails.

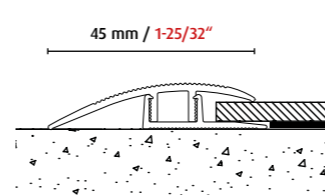


Abschlussprofil Nr. 82



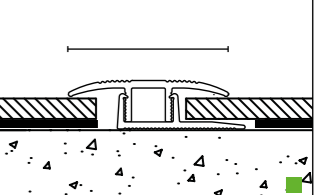
Reducer profile no. 82

6-12 mm / 3/8 - 15/32"
45 mm / 1-25/32"



Transition profile no. 82

7-11,5 mm / 9/32 - 15/32"

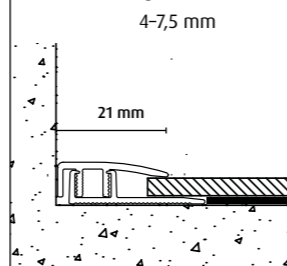


Profile no. 40

The "40" profile series was specially developed for thinner floors, such as LVT floors. Smooth surfaces emphasize the simple look.

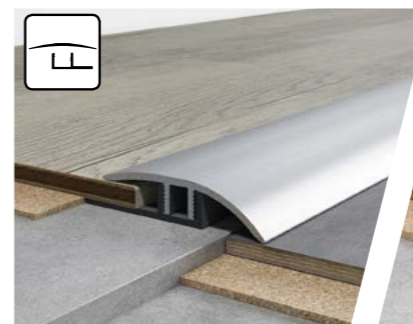
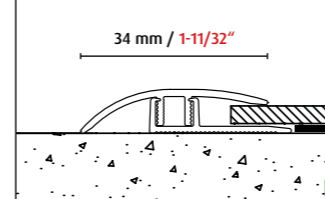


Abschlussprofil Nr. 40



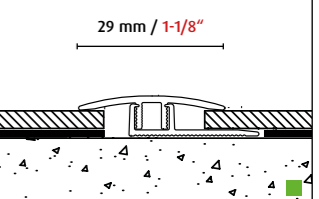
Reducer profile no. 40

4-7,5 mm / 5/32 - 9/32"
34 mm / 1-11/32"



Transition profile no. 40

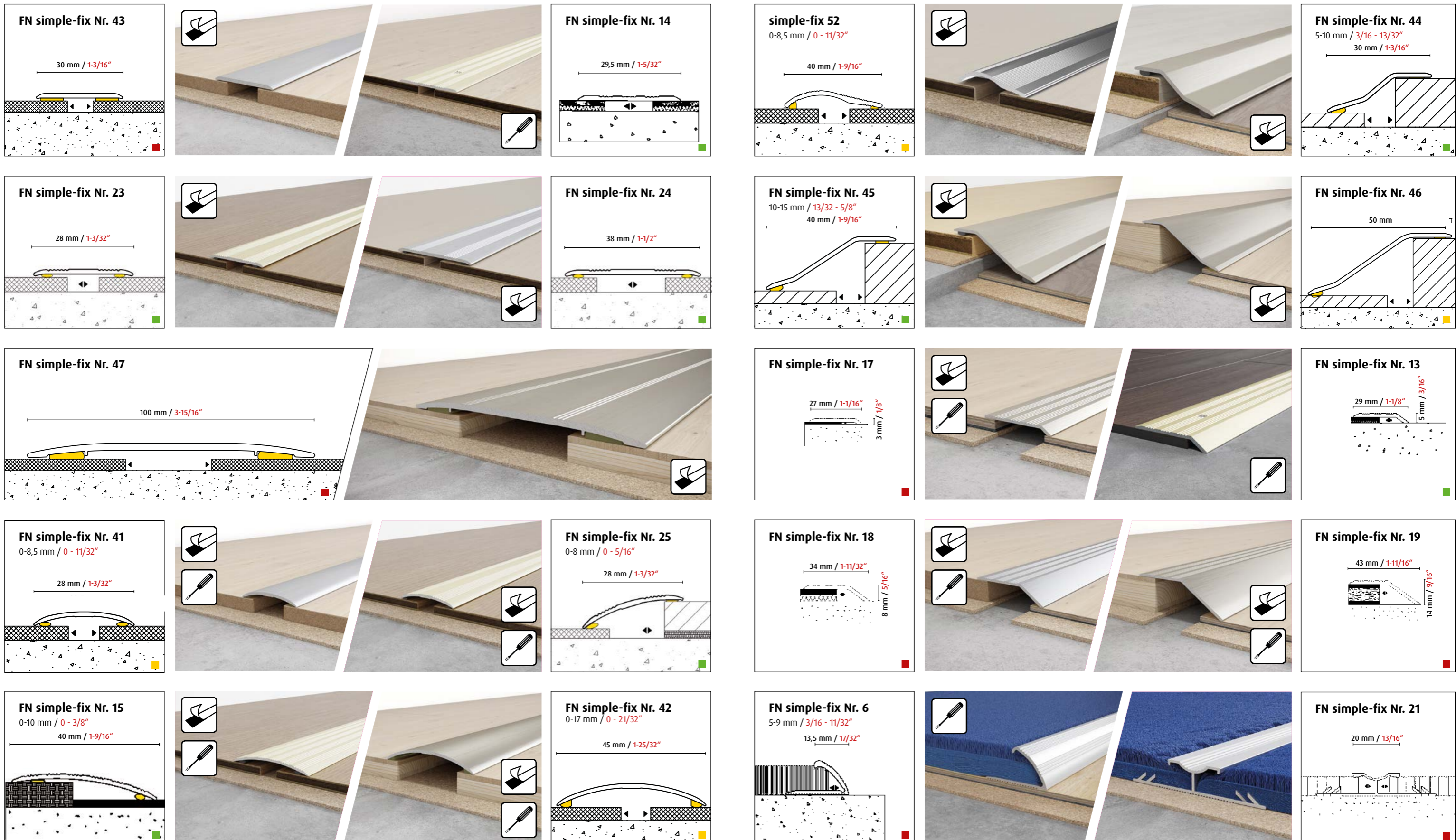
4-7,5 mm / 5/32 - 9/32"
29 mm / 1-1/8"



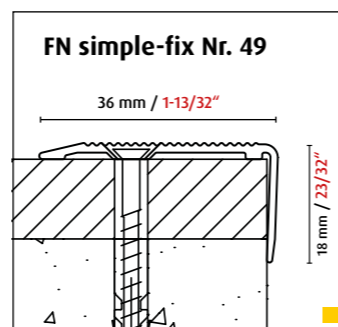
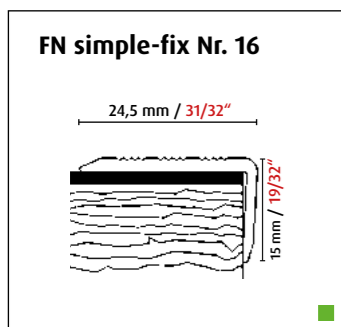
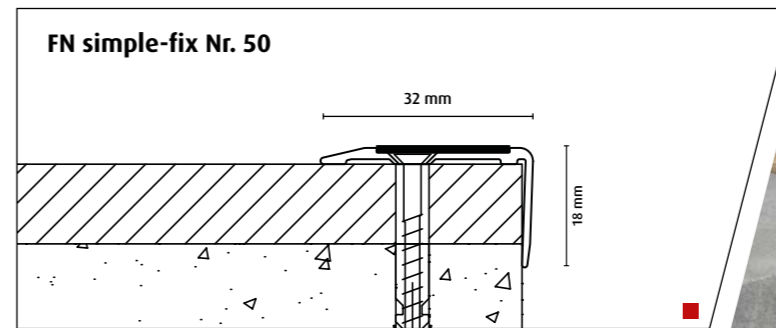
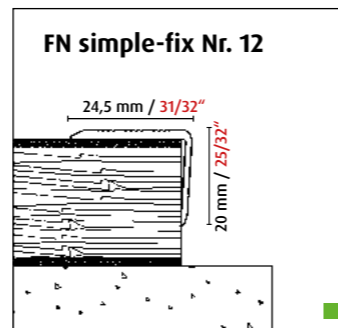
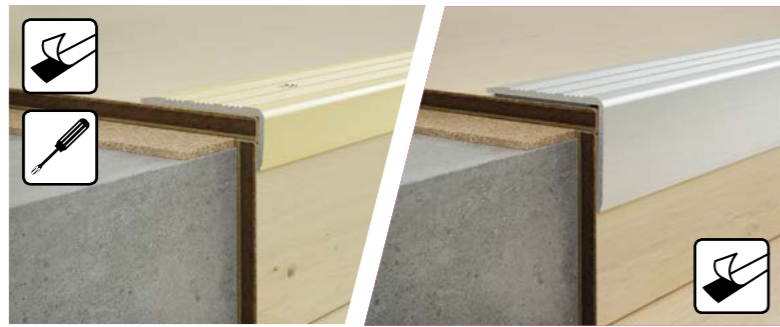
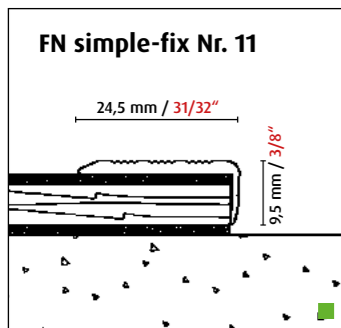
FN power-pro simple-fix

You can install these simple profiles with glue or by drilling, depending on your needs and the type of sub-floor. These profiles are particularly suitable for floors with very low thicknesses, such

as vinyl floors and laminate floors. They also work perfectly well with parquet or cork, however.



FN power-pro simple-fix



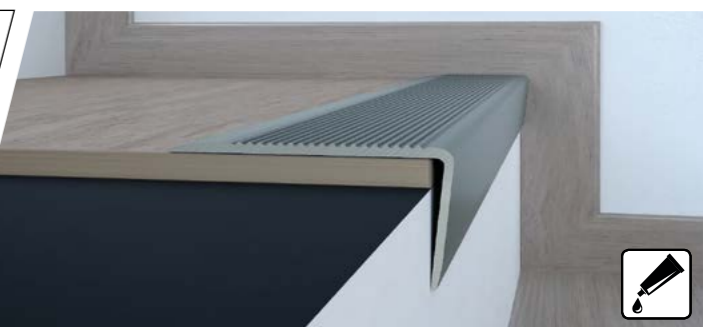
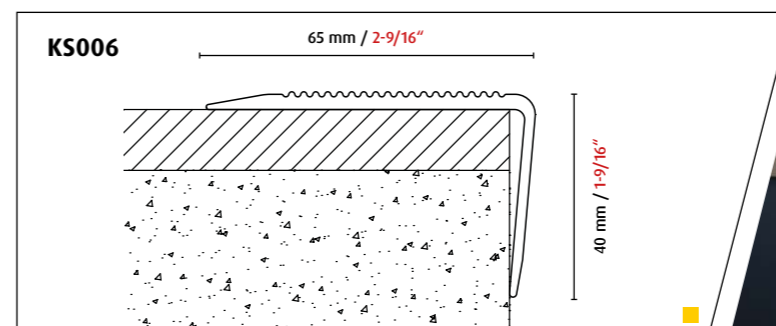
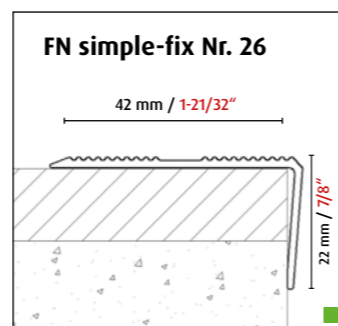
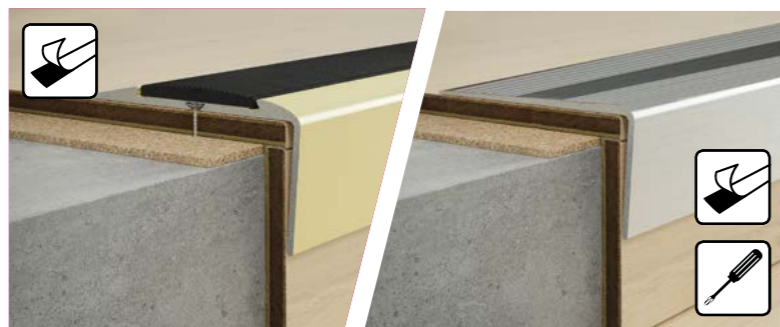
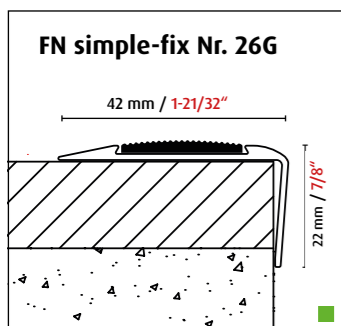
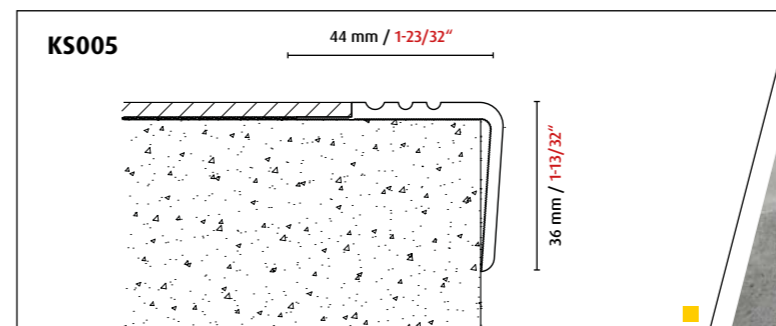
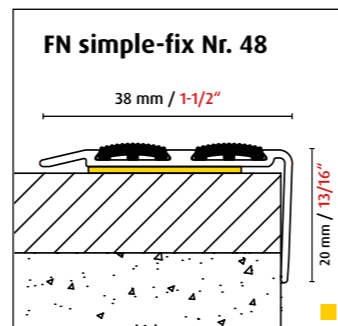
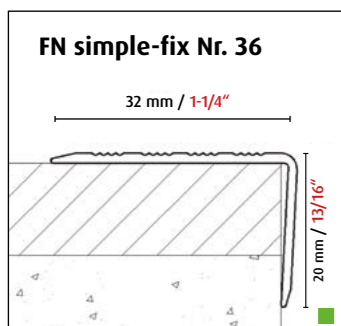
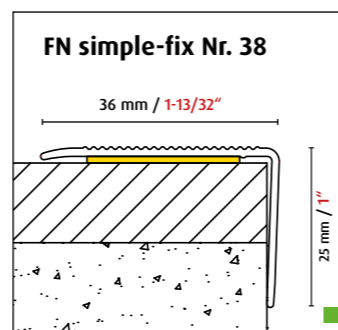
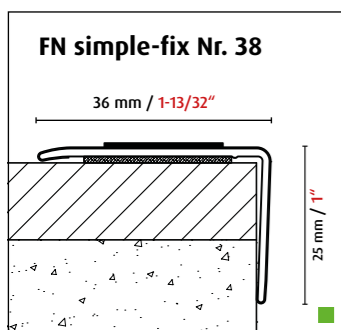
Stair profiles made of plastic

On another level.

This stair edging are made of soft plastic and are flexible, pliable and strong. For applications that require something coarser. Hassle-free, easy and safe. Quick and easy installation using assembly adhesive makes these profiles perfect for every situation.

Product advantages:

- Simply stick to the edge of the stair for installation.
- Waterproof, suitable for wet rooms
- Very pliable and flexible, levels out unevenness.



FN power-pro LVT-profiles

These profiles have been specially developed to meet the requirements of LVT flooring with a thickness of up to 5 mm. They are easy install with adhesive or screws.



FN simple-fix Nr. 27

4,5-5,5 mm / 3/16- 7/32"

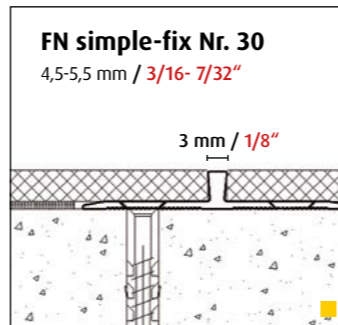
3 mm / 1/8"



FN simple-fix Nr. 30

4,5-5,5 mm / 3/16- 7/32"

3 mm / 1/8"



FN simple-fix Nr. 33

>2 mm / 1/16"

15 mm / 19/32"

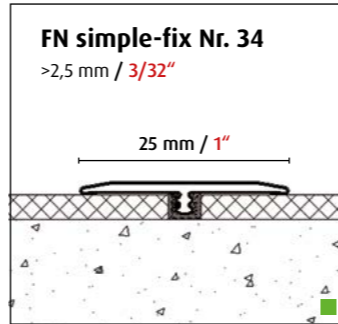
8,5 mm / 11/32"



FN simple-fix Nr. 34

>2,5 mm / 3/32"

25 mm / 1"



FN simple-fix Nr. 35

0-5 mm / 0 - 7/32"

24,5 mm / 31/32"

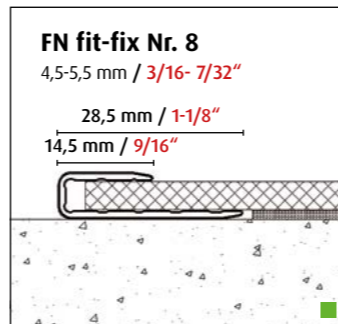


FN fit-fix Nr. 8

4,5-5,5 mm / 3/16- 7/32"

28,5 mm / 1-1/8"

14,5 mm / 9/16"



FN fit-fix Nr. 9

5-5,5 mm / 3/16" - 7/32"

29 mm / 1-5/32"

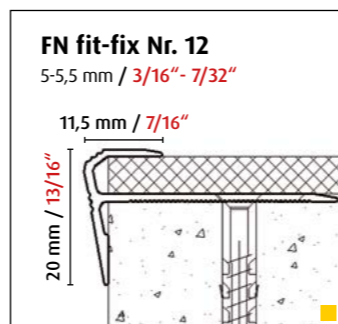


FN fit-fix Nr. 12

5-5,5 mm / 3/16" - 7/32"

11,5 mm / 7/16"

20 mm / 13/16"

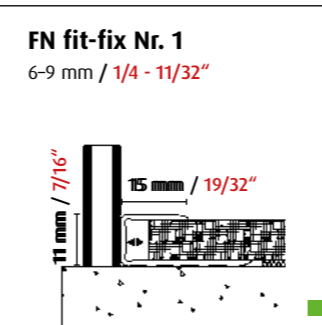


FN fit-fix Nr. 1

6-9 mm / 1/4 - 11/32"

11 mm / 7/16"

15 mm / 19/32"

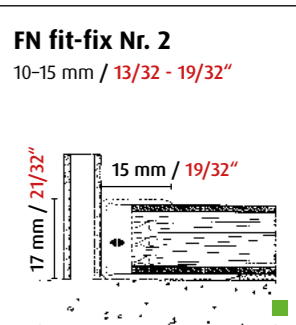


FN fit-fix Nr. 2

10-15 mm / 13/32 - 19/32"

17 mm / 21/32"

15 mm / 19/32"

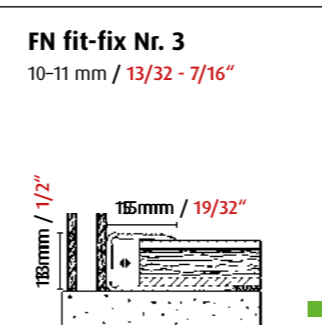


FN fit-fix Nr. 3

10-11 mm / 13/32 - 7/16"

18 mm / 1/2"

15 mm / 19/32"

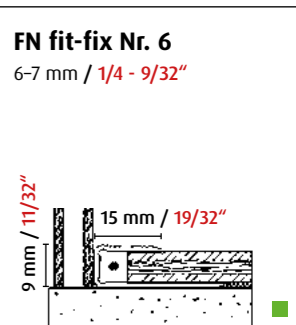


FN fit-fix Nr. 6

6-7 mm / 1/4 - 9/32"

9 mm / 11/32"

15 mm / 19/32"

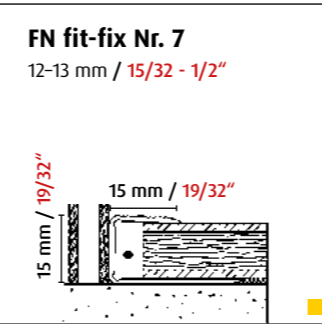


FN fit-fix Nr. 7

12-13 mm / 15/32 - 1/2"

15 mm / 19/32"

15 mm / 19/32"

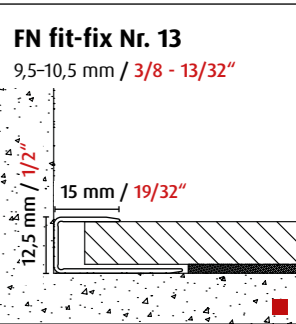


FN fit-fix Nr. 13

9,5-10,5 mm / 3/8 - 13/32"

12,5 mm / 1/2"

15 mm / 19/32"

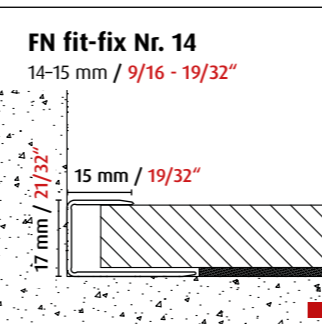


FN fit-fix Nr. 14

14-15 mm / 9/16 - 19/32"

17 mm / 21/32"

15 mm / 19/32"

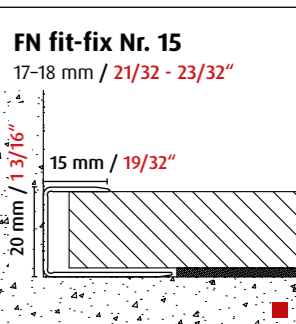


FN fit-fix Nr. 15

17-18 mm / 21/32 - 23/32"

20 mm / 13/16"

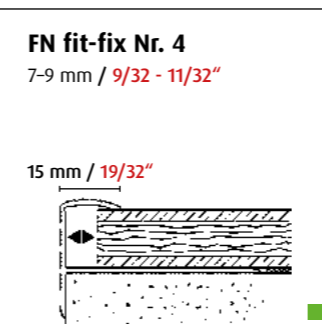
15 mm / 19/32"



FN fit-fix Nr. 4

7-9 mm / 9/32 - 11/32"

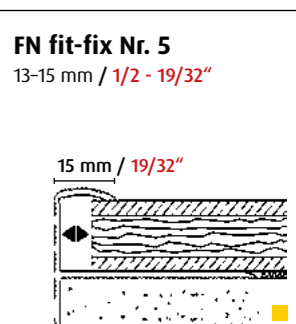
15 mm / 19/32"



FN fit-fix Nr. 5

13-15 mm / 1/2 - 19/32"

15 mm / 19/32"



FN metal-fix with adhesive installation

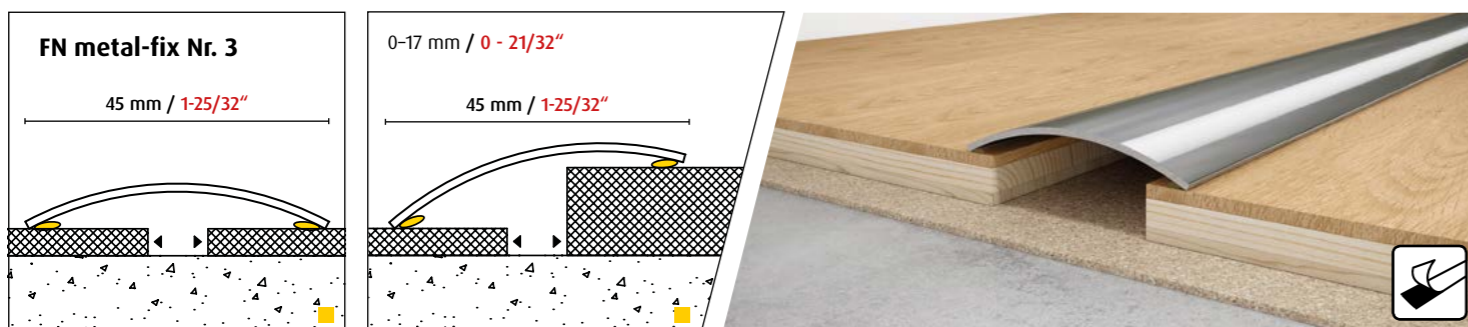
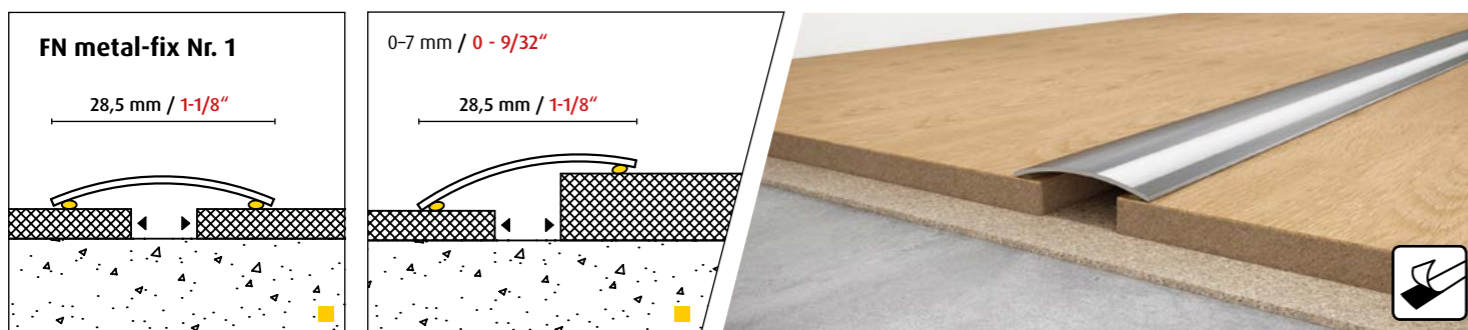
Truly strong quality.

If you not only value the best of quality when choosing your floor profiles, but also an unconventional look, you will love these metal profiles. The brass profiles have that noble appearance, while stainless steel has that clean, quality look with optimal resistance to corrosion or scratches.

The transition or reducer profiles made of metal are easy to glue, which makes them perfect for use with underfloor heating.

Product advantages:

- Strong appearance in brass or stainless steel.
- Noble and elegant look without grooves.
- Can be installed with adhesive (ideal for underfloor heating).



FN metal-fix with screw installation

Precious metal for installation with screws.

These metal profiles not only offer the best looks, but also the highest of quality. The brass profiles have that noble appearance, while stainless steel has that clean, quality look with optimal resistance to corrosion or scratches.

The metal transition or reducer profiles can be easily installed on to the sub-floor with screws.

Product advantages:

- Strong appearance in brass or stainless steel.
- Plain exterior without grooves.
- Easy to install.



Discover our wider range

FN FOILED PROFILES

Foiled mouldings are usually laid to laminate flooring. The reason is obvious: the same materials react in the same way to light and moisture. A wide range of shapes and decors leave almost nothing to be desired, especially when it comes to matching the decor of the skirting to the floor. In-house digital printing makes it possible!



FN VENEERED PROFILES

A skirting board provides the perfect finish between the floor and the wall. The necessary expansion joint is stylishly and elegantly concealed and the profile, ideally in the same décor as the floor, completes the room. Veneered profiles are usually laid with parquet floors. The reason is obvious: the same materials react in the same way to light and moisture.



FN WHITE PROFILES

White skirting boards are modern, elegant, stylish and very much in fashion. We offer an extensive variety of different materials and surfaces as well as shades of white. The following pages provide an overview of this product range. Find the perfect version for your market.



FN FUNCTIONAL AND WATERPROOF PROFILES

If the standard no longer fits or special challenges need to be overcome, FN Neuhofer offers a selection of special solutions for a wide range of applications. And for LVT or waterproof floors, there are matching waterproof skirting boards, decorated to match the floor or simply in white.



FN SOLID WOOD PROFILES

Wood in its most natural form, cut and planed, raw or varnished, sustainable and destined to last forever: these are our solid wood profiles, made from hardwood or softwood. Real, natural and grounded. Whether you need a resilient skirting board, wood for crafts for everyone and everywhere in the house, or old wood for a one-of-a-kind ambience.



FN FLOOR ACCESSORIES

Clips, corners and numerous other accessories are indispensable for quick and easy moulding installation. The mouldings are all provided with functional grooves into which various clips, fixing rails or holders for corner pieces can be inserted. The aim is always the same: to make installation as easy and uncomplicated as possible for the customer.



FN FLOORING PROFILES

When installing flooring, each room is usually laid as a separate area. During this process, an expansion joint should be planned under every door. And if the floor areas become too large, they should also be separated by expansion joints. If there are different coverings in the individual rooms, such as tiles, laminate flooring, parquet flooring or LVT flooring with different floor heights, it is essential to cover the joints that are created as a result.

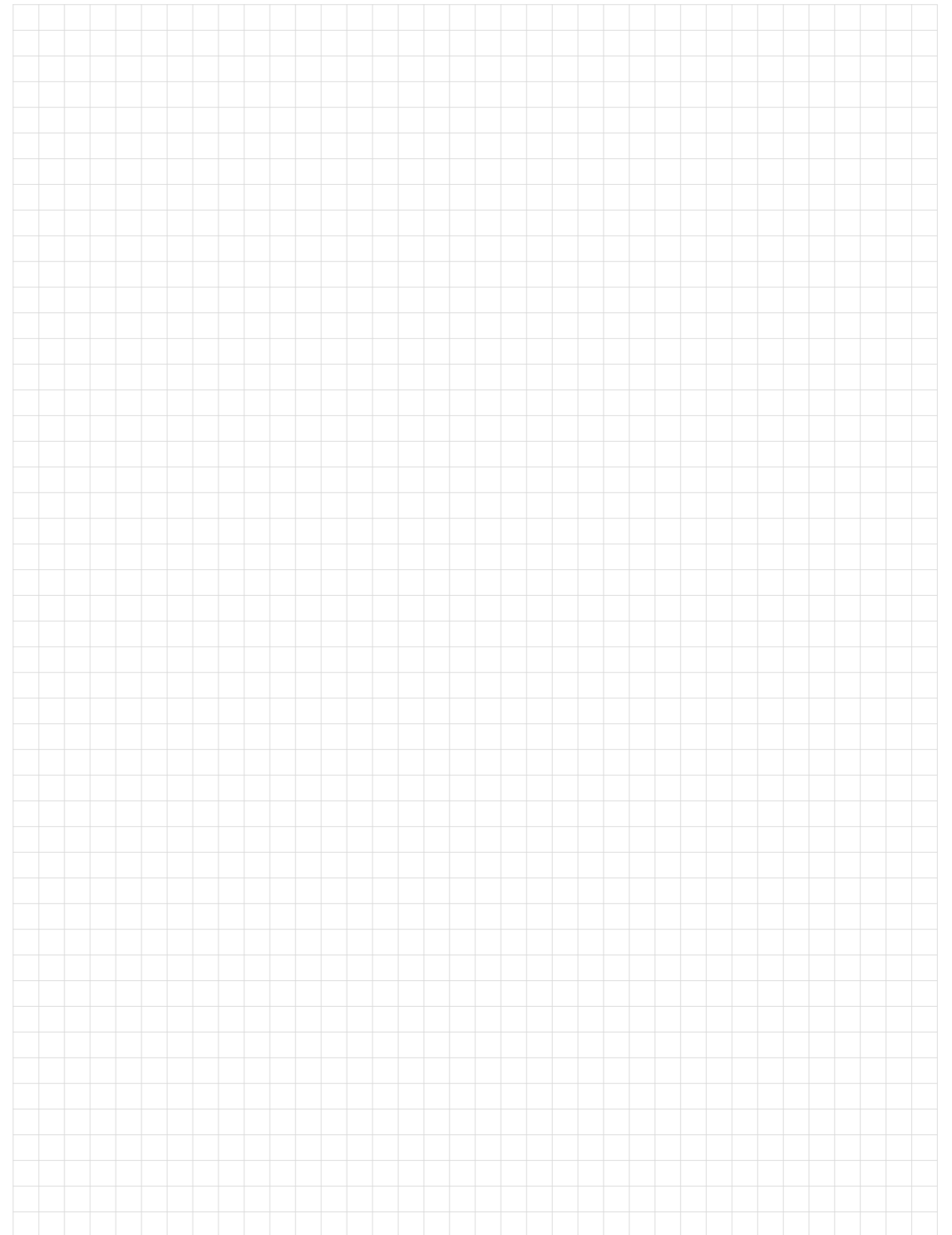
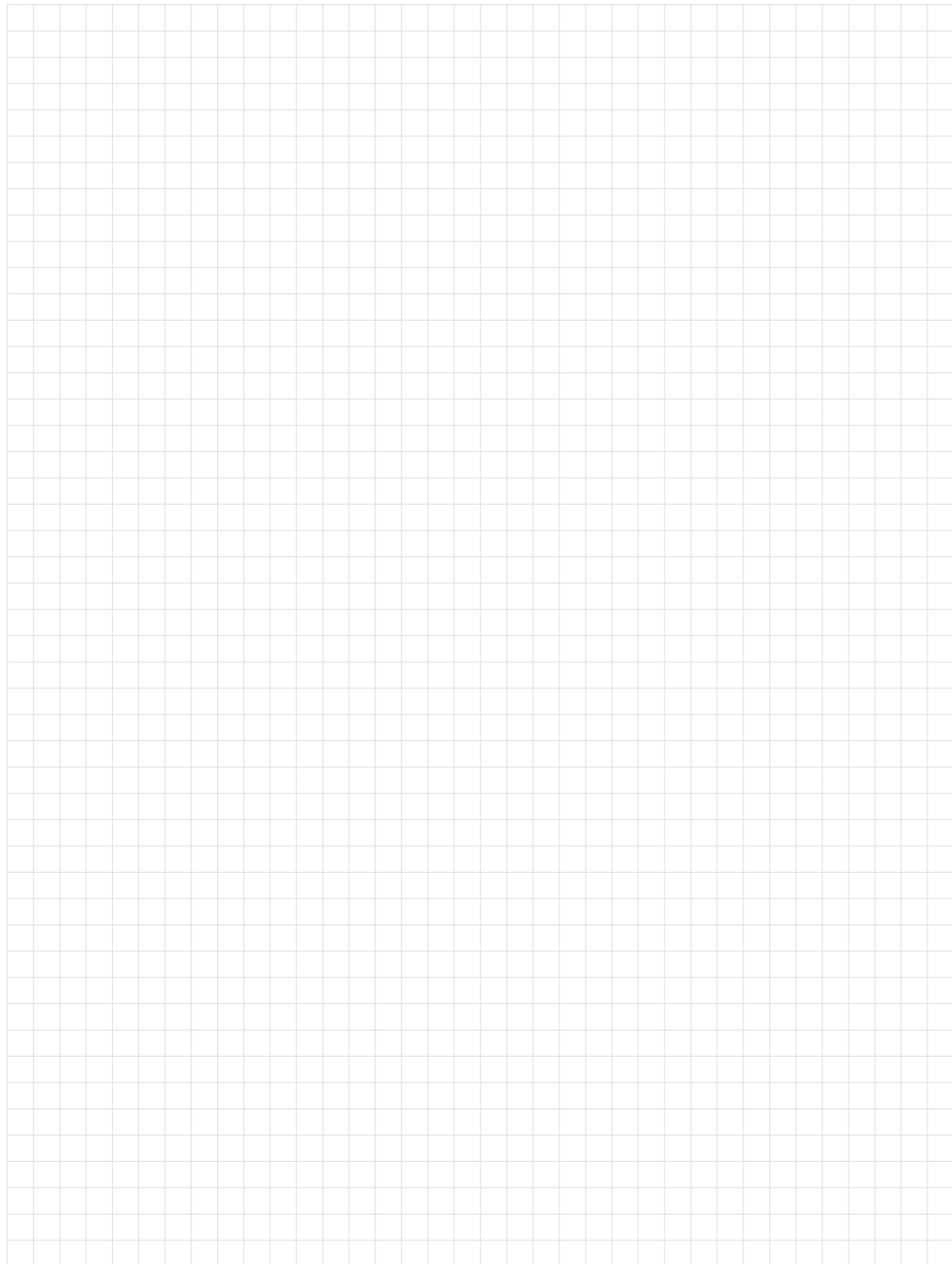


FN LIVING

Modern wall design with additional benefits is important in today's fast-paced and noisy world. Acoustic panels create peace and quiet in your own home, while various wall paneling systems enhance the room and create a cosy ambience. And the DIY concept is not neglected either. You can fill, glue, paint and realise your own creativity.



Notes





NEUHOFER

WE. KNOW. WOW!

All dimensions and performance of the products stated in the product catalogue are to be regarded as approximate. The stated dimensions and performance of the products are non-binding; this applies in particular to their quality, colour and design (grain, surface, etc.). Furthermore, we expressly reserve the right to make any deviations from the products shown in the product catalogue; the offer and order confirmation are exclusively authoritative, based on the General Terms and Conditions (see <https://www.fnprofile.com/de/verkaufs-und-lieferbedingungen-01-01-2022.html>). The customer can therefore derive no rights - of any kind whatsoever - from pictorial representations and/or specified dimensions and services in accordance with this product catalogue.

Printing and typesetting errors and mistakes excepted. 01/25

NEUHOFER HOLZ GMBH
A-4893 Zell am Moos, Haslau 56, Tel.: +43 (0)6234/8500-0,
office@fnprofile.com, www.fnprofile.com



Here you can find our social media channels



The mark of responsible forestry